



Chipsmall Limited consists of a professional team with an average of over 10 year of expertise in the distribution of electronic components. Based in Hongkong, we have already established firm and mutual-benefit business relationships with customers from,Europe,America and south Asia,supplying obsolete and hard-to-find components to meet their specific needs.

With the principle of “Quality Parts,Customers Priority,Honest Operation,and Considerate Service”,our business mainly focus on the distribution of electronic components. Line cards we deal with include Microchip,ALPS,ROHM,Xilinx,Pulse,ON,Everlight and Freescale. Main products comprise IC,Modules,Potentiometer,IC Socket,Relay,Connector.Our parts cover such applications as commercial,industrial, and automotives areas.

We are looking forward to setting up business relationship with you and hope to provide you with the best service and solution. Let us make a better world for our industry!



## Contact us

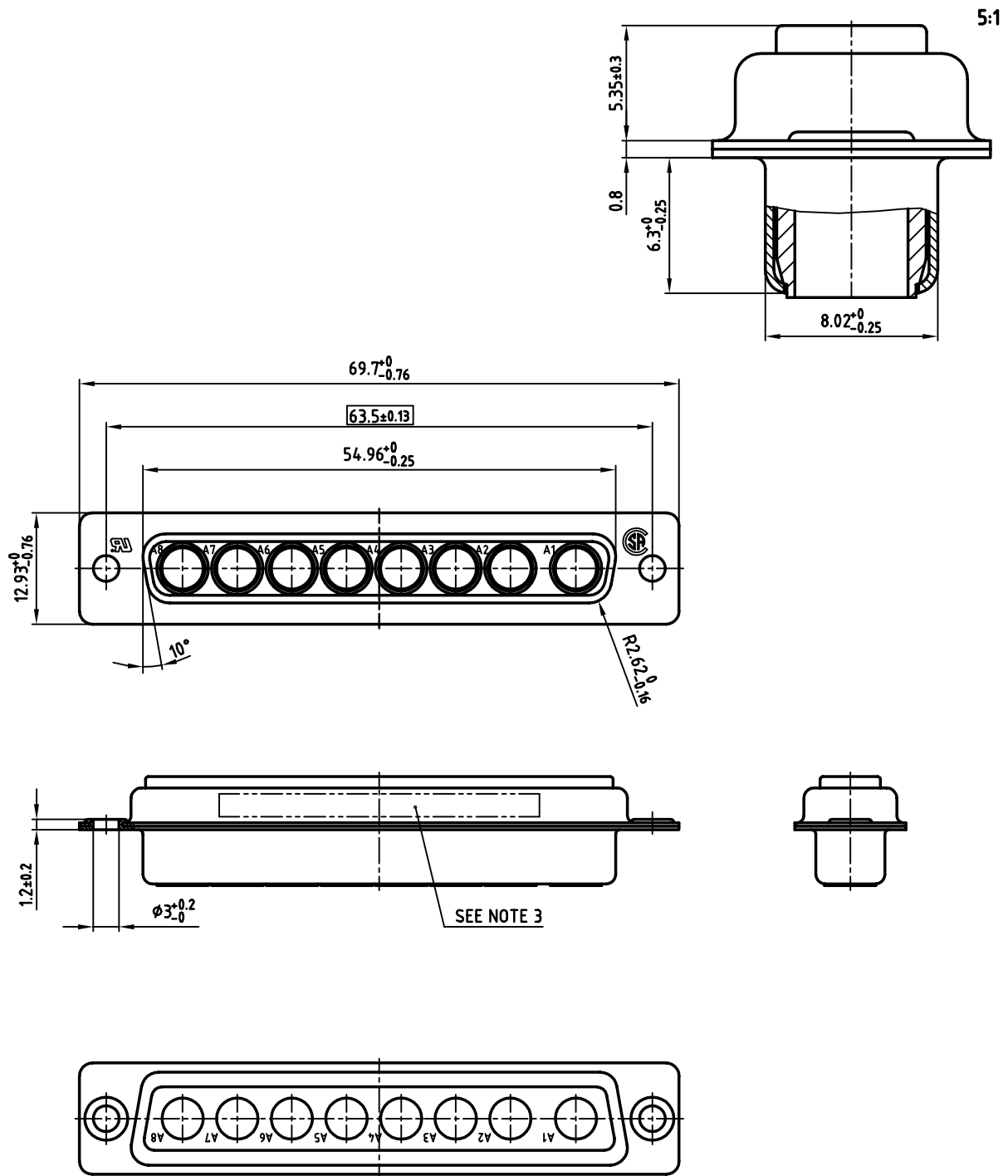
Tel: +86-755-8981 8866 Fax: +86-755-8427 6832

Email & Skype: info@chipsmall.com Web: www.chipsmall.com

Address: A1208, Overseas Decoration Building, #122 Zhenhua RD., Futian, Shenzhen, China



used for: D-SUB COMBINATION



**NOTES:**

- METALSHELLS: STEEL; min. 320 $\mu$ " YELLOW CHROMATE
- INSULATORS: PBT GF UL 94 V-0; GREEN
- CONNECTOR IS PART MARKED: PART NO: CONEC Y/WW
- = CRITICAL DIMENSION

THIS DRAWING MAY NOT BE COPIED OR REPRODUCED IN ANY WAY, AND MAY NOT BE PASSED ON TO A THIRD PARTY, WITHOUT WRITTEN PERMISSION. OWNERSHIP AND COPYRIGHT OF CONEC GmbH DO NOT ALTER CAD DRAWING BY HAND	tolerance			scale: 2:1 (5:1)
				material: SEE NOTES
	2002	date	name	title: <b>D-SUB COMBINATION FEMALE</b> 8W8S
	drawn	09.09.	Schmidt	
	appd.	09.09.	Mickenbecker	
	norm			
			d-old	dwg no: AutoCAD 2000
				DIN-A
				3
				sh: 1/1
rev.	description	date	name	
				part no: 5008W8SXX99A10X