



Chipsmall Limited consists of a professional team with an average of over 10 year of expertise in the distribution of electronic components. Based in Hongkong, we have already established firm and mutual-benefit business relationships with customers from,Europe,America and south Asia,supplying obsolete and hard-to-find components to meet their specific needs.

With the principle of "Quality Parts,Customers Priority,Honest Operation,and Considerate Service",our business mainly focus on the distribution of electronic components. Line cards we deal with include Microchip,ALPS,ROHM,Xilinx,Pulse,ON,Everlight and Freescale. Main products comprise IC,Modules,Potentiometer,IC Socket,Relay,Connector.Our parts cover such applications as commercial,industrial, and automotives areas.

We are looking forward to setting up business relationship with you and hope to provide you with the best service and solution. Let us make a better world for our industry!



Contact us

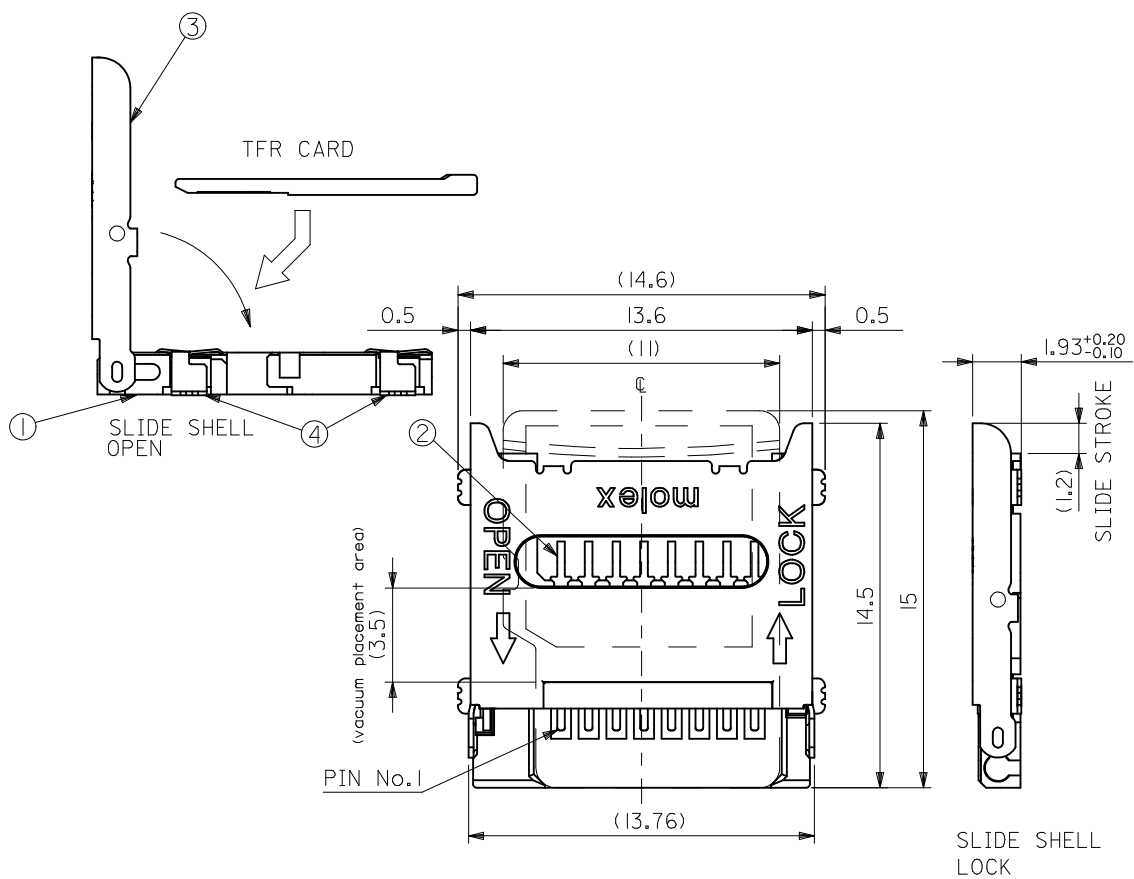
Tel: +86-755-8981 8866 Fax: +86-755-8427 6832

Email & Skype: info@chipsmall.com Web: www.chipsmall.com

Address: A1208, Overseas Decoration Building, #122 Zhenhua RD., Futian, Shenzhen, China

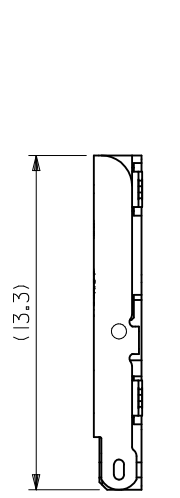


CONFIDENTIAL

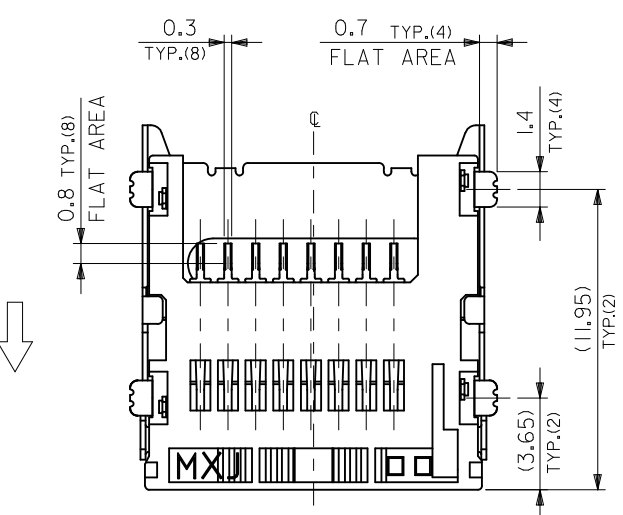


NO.	PARTS DESCRIPTION	QTY	MATERIAL	FINISH
①	HOUSING	1	LIQUID CRYSTAL POLYMER (WHITE)	—
②	TERMINAL	8	COPPER ALLOY	CONTACT AREA:GOLD 0.5um MIN. SOLDER AREA:TIN 1.0um MIN. UNDER PLATING NICKEL 1.0um MIN.
③	SHELL	1	STAINLESS STEEL	—
④	NAIL	4	PHOSPHOR BRONZE	ALL OVER:TIN 1.0um MIN. UNDER PLATING NICKEL 1.0um MIN.

SLIDE SHELL LOCK



SLIDE SHELL OPEN

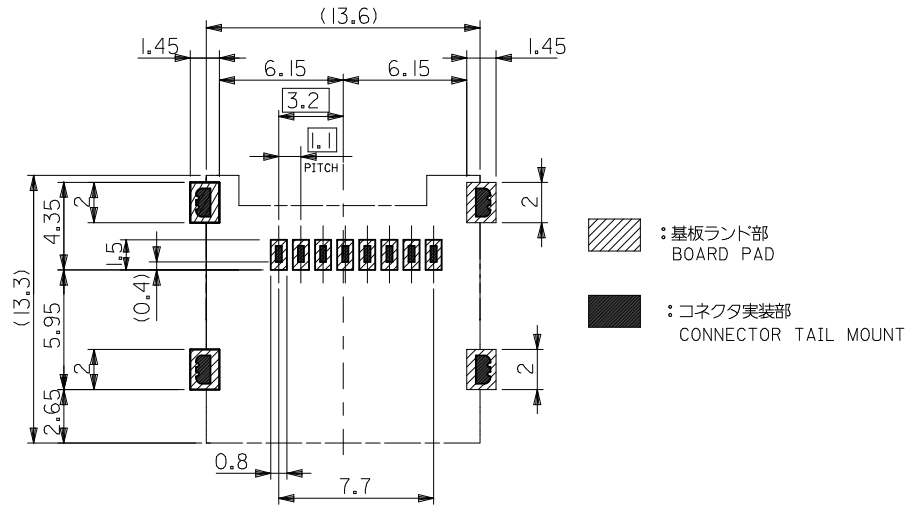


NOTE

1. EACH TERMINALS AND NAILS COPLANARITY TO BE 0.1MAX.
2. ELV AND RoHS COMPLIANT.

WITH EMBOSSED TAPE	500901-0801	500901-08**
CONNECTOR ONLY	500901-0829	
PACKAGE	MATERIAL No.	MODEL No.

REVISED EC NO.: J2012-0696 DRAWN: AIDA 2011/10/31 CHECKED: TOMITA 2011/10/31 APPR: YONITO 2011/11/16	GENERAL TOLERANCES (UNLESS SPECIFIED)		DIMENSION STYLE	SCALE	DESIGN UNITS	THIRD ANGLE PROJECTION
			MM ONLY	5:1	METRIC	
	10 UNDER	±0.2	DRAWN BY	DATE	TITLE	
	10 OVER 30 UNDER	±0.25	TWATANABE	05/01/21	TFR MEMORY CARD CONN. HINGE TYPE	
	30 OVER	±0.3	CHECKED BY	DATE	MOLEX INCORPORATED	
ANGULAR	±3°	HTAKASE	05/01/21	MATERIAL No.		
DRAFT WHERE APPLICABLE MUST REMAIN WITHIN DIMENSIONS		APPROVED BY	DATE	DOCUMENT No.		
		JMIYAZAWA	05/01/21	SD-500901-003		
		SEE CHART		SHEET No.		
		SIZE A3		1 OF 2		



推奨基板寸法(上面図) 一般公差:±0.05
 RECOMMENDED P.C. BOARD LAYOUT(TOP VIEW)
 GENERAL TOLERANCES : ±0.05

REVISED EC NO: J2012-0696 DRWNA:IDA 2011/10/31 CHKD:MTOMITA 2011/10/31 APPR:Y0110 2011/11/16	GENERAL TOLERANCES (UNLESS SPECIFIED)		DIMENSION STYLE	SCALE	DESIGN UNITS	THIRD ANGLE PROJECTION	
	10 UNDER ± ---		MM ONLY	5:1	METRIC	TFR MEMORY CARD CONN. HINGE TYPE	
	10 OVER 30 UNDER ± ---		DRAWN BY DATE	TITLE			
	30 OVER ± ---		TWATANABE 05/01/21	MOLEX INCORPORATED			
	ANGULAR ± --- °		HTAKASE 05/01/21	DOCUMENT NO. SD-500901-003			
DRAFT WHERE APPLICABLE MUST REMAIN WITHIN DIMENSIONS		APPROVED BY DATE	SHEET NO. 2 OF 2				
		JMIYAZAWA 05/01/21	THIS DRAWING CONTAINS INFORMATION THAT IS PROPRIETARY TO MOLEX INCORPORATED AND SHOULD NOT BE USED WITHOUT WRITTEN PERMISSION				
		MATERIAL NO.	SEE CHART				
		SIZE	A3				

10

9

8

7

6

5

4

3

2

1

F

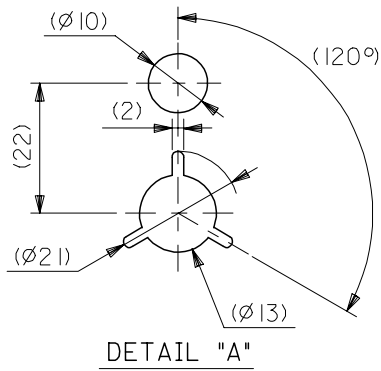
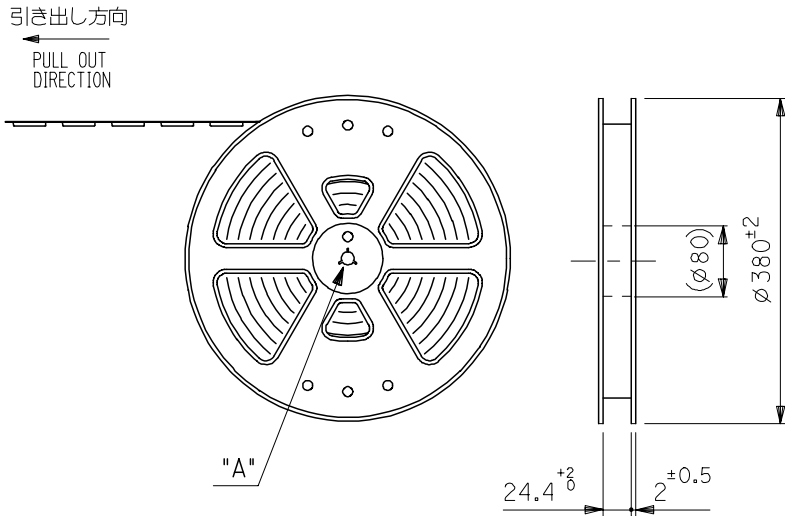
E

D

C

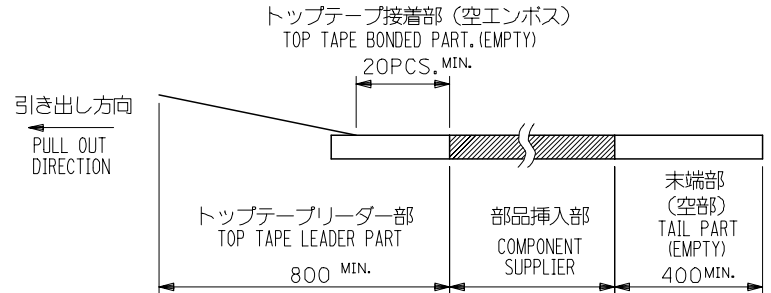
B

A

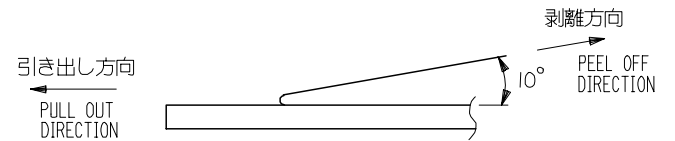


NOTES

- 製品詳細寸法については、SD図面を参照下さい。
THE DETAIL DIMENSIONS REFER TO SALES DRAWING.
- 梱包数量：1400個/リール
NUMBER OF CONNECTORS : 1400PCS/REEL
- リードテープ長さ LEAD TAPE LENGTH



- トップテープの剥離強度：0.1N～1.3N (10.2gf～130gf) (剥離方向は下図参照) 尚、本規格値は出荷時に適用。(但し、輸送時に剥離が発生しないこと。)
PEEL FORCE OF TOP TAPE : 0.1N～1.3N (10.2gf～130gf)
(PEEL DIRECTION AS SHOWN IN FOLLOWING FIG.)
THIS REQUIREMENT SHOULD BE APPLIED AT SHIPMENT.
PEEL OFF SHOULD NOT BE ALLOWED , DURING TRANSPORTATION.



5. 材料 (MATERIAL)

キャリアテープ (CARRIER TAPE) : ポリプロピレン (POLYPROPYLENE)
 トップテープ (TOPTAPE) : PET, PE, PEF
 リール (REEL) : ポリスチレン (PS) <リサイクル材を含む>
 POLYSTYRENE (PS) <RECYCLE MATERIAL CONTAINED>

RELEASED EC NO: J2005-2205 DRAWN: T.WATANABE 2005/02/03 CHKD: T.WATANABE 2005/02/03 APPR: J.MIYAZAWA 2005/02/08	GENERAL TOLERANCES (UNLESS SPECIFIED)		DIMENSION STYLE MM ONLY		SCALE ---	DESIGN UNITS METRIC	THIRD ANGLE PROJECTION	
	10 UNDER	±0.2	DRAWN BY TWATANABE	DATE 05/01/21	TITLE TFR MEMORY CARD CONN. EMBOSSD TAPE PACKAGE			
	10 OVER 30 UNDER	±0.25	CHECKED BY HTAKASE	DATE 05/01/21	MOLEX MOLEX INCORPORATED			
	30 OVER	±0.3	APPROVED BY JMIYAZAWA	DATE 05/01/21				
	ANGULAR	±3 °	MATERIAL NO. 500901-0801		DOCUMENT NO. SD-500901-004	SHEET NO. 1 OF 2		
DRAFT WHERE APPLICABLE MUST REMAIN WITHIN DIMENSIONS		SIZE A3 THIS DRAWING CONTAINS INFORMATION THAT IS PROPRIETARY TO MOLEX INCORPORATED AND SHOULD NOT BE USED WITHOUT WRITTEN PERMISSION						

9

8

7

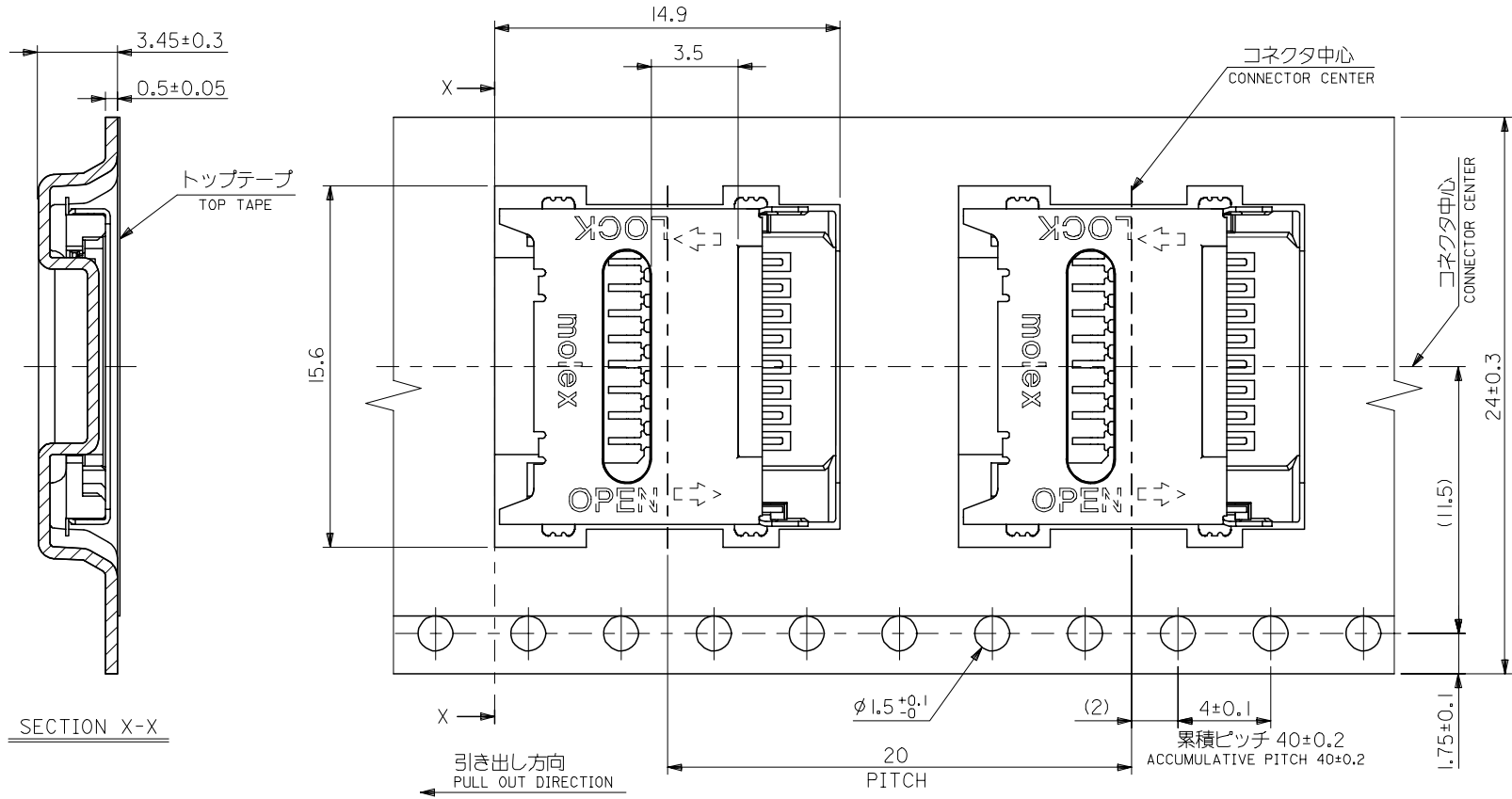
6

5

4

3

2



SECTION X-X

RELEASED EC NO: J2005-2205 DRW/KSETO 2005/02/03 CHK/D: TWATANABE 2005/02/03 APPR: JMIYAZAWA 2005/02/08	GENERAL TOLERANCES (UNLESS SPECIFIED)		DIMENSION STYLE MM ONLY		SCALE ---	DESIGN UNITS METRIC	THIRD ANGLE PROJECTION
	10 UNDER	± ---	DRAWN BY TWATANABE	DATE 05/01/21	TITLE TFR MEMORY CARD CONN. EMBOSSD TAPE PACKAGE		
	10 OVER 30 UNDER	± ---	CHECKED BY HTAKASE	DATE 05/01/21	MOLEX INCORPORATED		
	30 OVER	± ---	APPROVED BY JMIYAZAWA	DATE 05/01/21	DOCUMENT NO. SD-500901-004		
	ANGULAR ±3°		MATERIAL NO. 500901-0801		SHEET NO. 2 OF 2		
0	DRAFT WHERE APPLICABLE MUST REMAIN WITHIN DIMENSIONS		SIZE A3		THIS DRAWING CONTAINS INFORMATION THAT IS PROPRIETARY TO MOLEX INCORPORATED AND SHOULD NOT BE USED WITHOUT WRITTEN PERMISSION		