



Chipsmall Limited consists of a professional team with an average of over 10 year of expertise in the distribution of electronic components. Based in Hongkong, we have already established firm and mutual-benefit business relationships with customers from,Europe,America and south Asia,supplying obsolete and hard-to-find components to meet their specific needs.

With the principle of “Quality Parts,Customers Priority,Honest Operation,and Considerate Service”,our business mainly focus on the distribution of electronic components. Line cards we deal with include Microchip,ALPS,ROHM,Xilinx,Pulse,ON,Everlight and Freescale. Main products comprise IC,Modules,Potentiometer,IC Socket,Relay,Connector.Our parts cover such applications as commercial,industrial, and automotives areas.

We are looking forward to setting up business relationship with you and hope to provide you with the best service and solution. Let us make a better world for our industry!



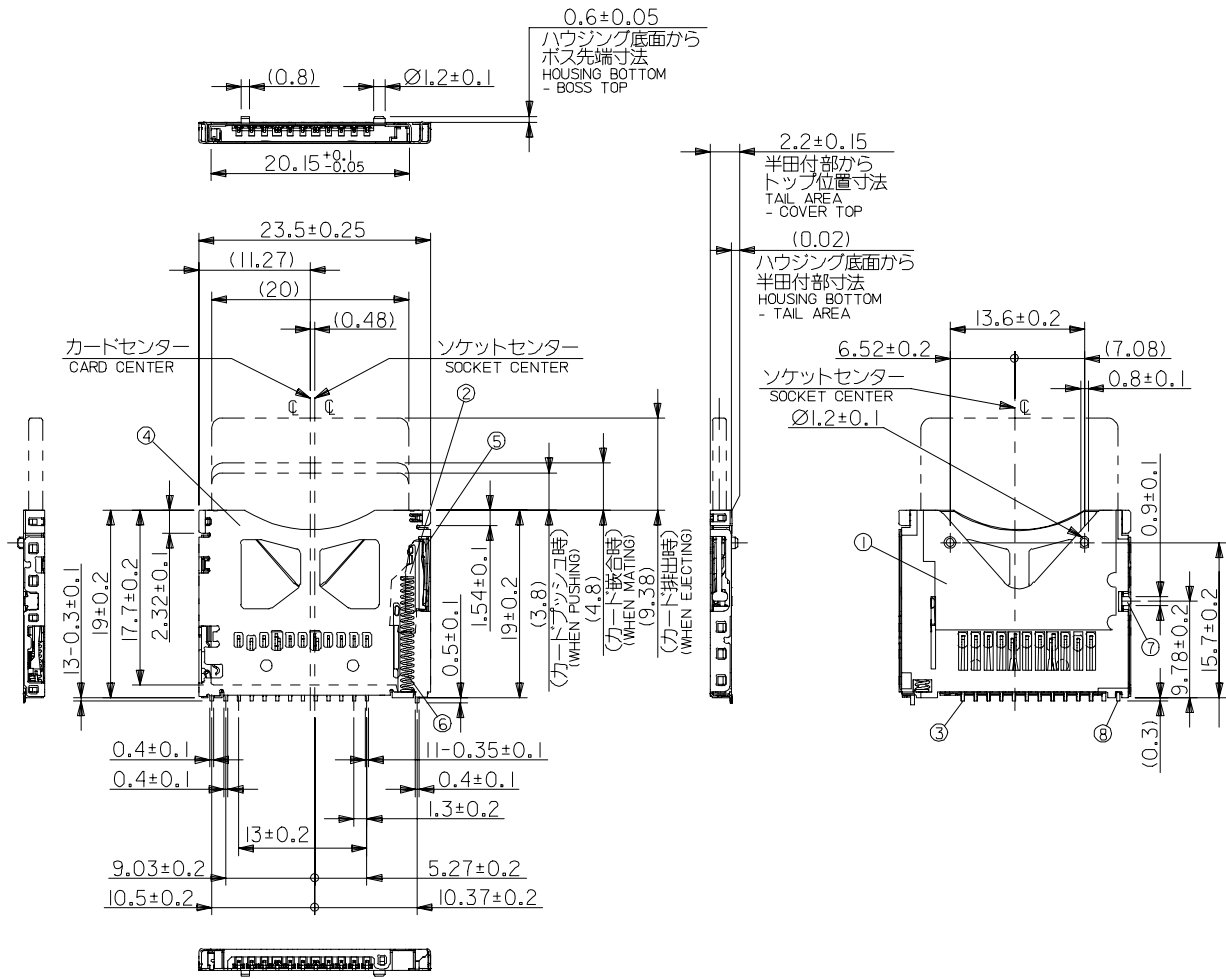
Contact us

Tel: +86-755-8981 8866 Fax: +86-755-8427 6832

Email & Skype: info@chipsmall.com Web: www.chipsmall.com

Address: A1208, Overseas Decoration Building, #122 Zhenhua RD., Futian, Shenzhen, China





NO.	NAME	MATERIAL
①	ハウジング HOUSING	耐熱樹脂、UL94-V0、黒色 HEAT RESISTANCE POLYMER,UL94-V0,BLACK
②	カムスライダー CAM SLIDER	耐熱樹脂、UL94-V0、黒色 HEAT RESISTANCE POLYMER,UL94-V0,BLACK
③	ターミナル TERMINAL	銅合金、接点部：金めっき0.1MICROMETER MIN. 半田付部：鍍めつき1.0MICROMETER MIN. 下地：ニッケルめっき1.0MICROMETER MIN. COPPER ALLOY, CONTACT AREA:GOLD, TAIL AREA:TIN, UNDER:NICKEL
④	メタルカバー METAL COVER	ステンレス鋼 半田付部：鍍めつき1.0MICROMETER MIN. 下地：ニッケルめっき0.5MICROMETER MIN. STAINLESS STEEL, TAIL AREA:TIN, UNDER:NICKEL
⑤	ピン PIN	ステンレス鋼 STAINLESS STEEL
⑥	スプリング SPRING	ピアノ線 SWP
⑦	ディテクト ターミナル DETECT TERMINAL	銅合金、接点部：金めっき0.2MICROMETER MIN. パラジウムニッケルめっき0.3MICROMETER MIN. 半田付部：鍍めつき1.0MICROMETER MIN. 下地：ニッケルめっき1.0MICROMETER MIN. COPPER ALLOY, CONTACT AREA:GOLD, PALLADIUM-NICKEL, TAIL AREA:TIN, UNDER:NICKEL
⑧	スイッチネイル SWITCH NAIL	銅合金、全面：金めっき0.2MICROMETER MIN. パラジウムニッケルめっき0.3MICROMETER MIN. 下地：ニッケルめっき1.0MICROMETER MIN. COPPER ALLOY, ALL AREA:GOLD, PALLADIUM-NICKEL, UNDER:NICKEL

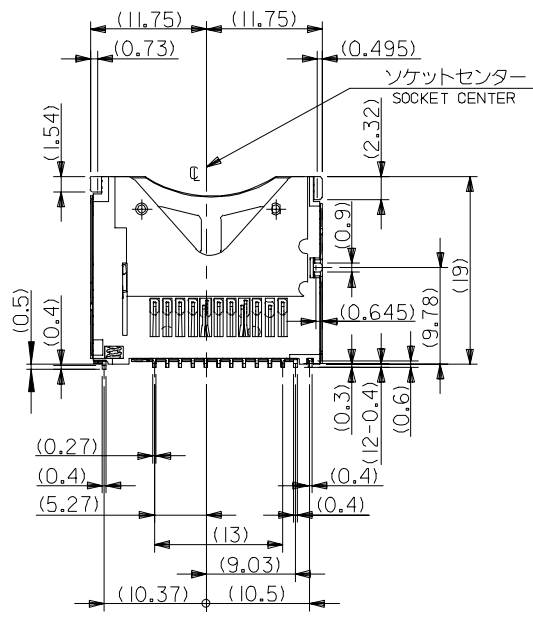
NOTES

- ターミナルおよびネイルの平坦度は0.1MAX.
TERMINAL AND NAIL COPLANARITY TO BE 0.1MAX.
 - 納入時、プッシュ/プッシュ機構は非ロック状態（カード飛び出し位置）
WHEN DELIVERING, THE PUSH/PUSH MECHANISM IS IN THE STATE OF THE UNLOCK.(CARD DASHING OUT POSITION)
 - カード検出スイッチ
DETECT SWITCH
- | | |
|---------------------------------------|----------------|
| カード挿入時
CARD INSERTING POSITION | クローズ
CLOSED |
| カード未挿入時
NO CARD INSERTING POSITION | オープン
OPEN |
- カード挿入時の製品高さは2.45MAX.
WHEN INSERTING THE CARD, THE HEIGHT TO BE 2.45MAX.
 - コネクタ重量は0.9±0.1g
WEIGHT OF THE CONNECTOR : 0.9±0.1g

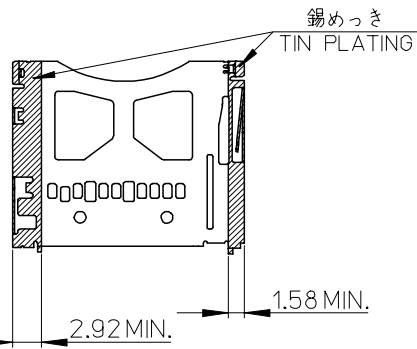
REVISED EC NO: J2005-1964 DRW: KYAMANE 2005/01/11 CHK: KADACHI 2005/01/11 APPR: MIYAZAWA 2005/01/14 REV DESCRIPTION	GENERAL TOLERANCES (UNLESS SPECIFIED)		DIMENSION STYLE MM ONLY		SCALE 2:1	DESIGN UNITS METRIC	THIRD ANGLE PROJECTION	
	10 UNDER	± ---	DRAWN BY KYAMANE	DATE 2004/07/15	TITLE MINISD SOCKET CONNECTOR (NORMAL TYPE) -LEAD FREE-			
	10 OVER 30 UNDER	± ---	CHECKED BY MYAGI	DATE 2004/07/15	MOLEX INCORPORATED			
	30 OVER	± ---	APPROVED BY MIYAZAWA	DATE 2004/07/15	DOCUMENT NO. SD-500972-001		SHEET NO. 1 OF 3	
	ANGULAR ± --- °		MATERIAL NO. 500972-1109					
DRAFT WHERE APPLICABLE MUST REMAIN WITHIN DIMENSIONS		THIS DRAWING CONTAINS INFORMATION THAT IS PROPRIETARY TO MOLEX INCORPORATED AND SHOULD NOT BE USED WITHOUT WRITTEN PERMISSION						

10 9 8 7 6 5 4 3 2 1

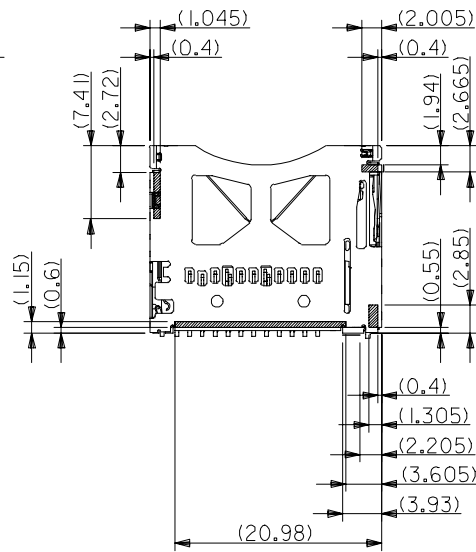
F
E
D
C
B
A



コネクタ半田接地位置
POSITION OF TAIL AREA

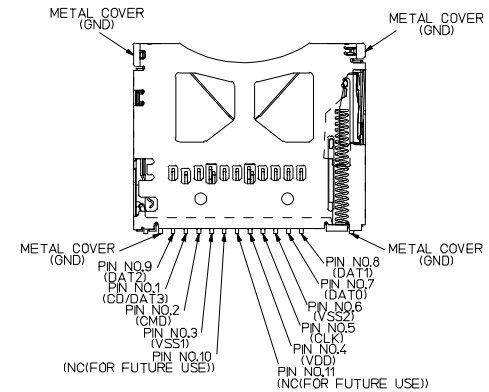


メタルカバー錫めっき領域
TIN PLATING AREA OF METAL COVER

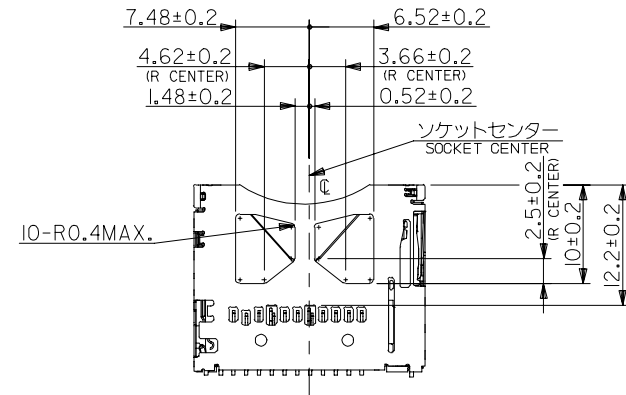


- : 上面で固定可能箇所
FIXED PLACE OF UPPER SIDE
- : 側面及び背面で固定可能箇所
FIXED PLACE OF SIDE, BACK

コネクタ固定可能箇所
POSSIBLE FIXED PLACE OF CONNECTOR

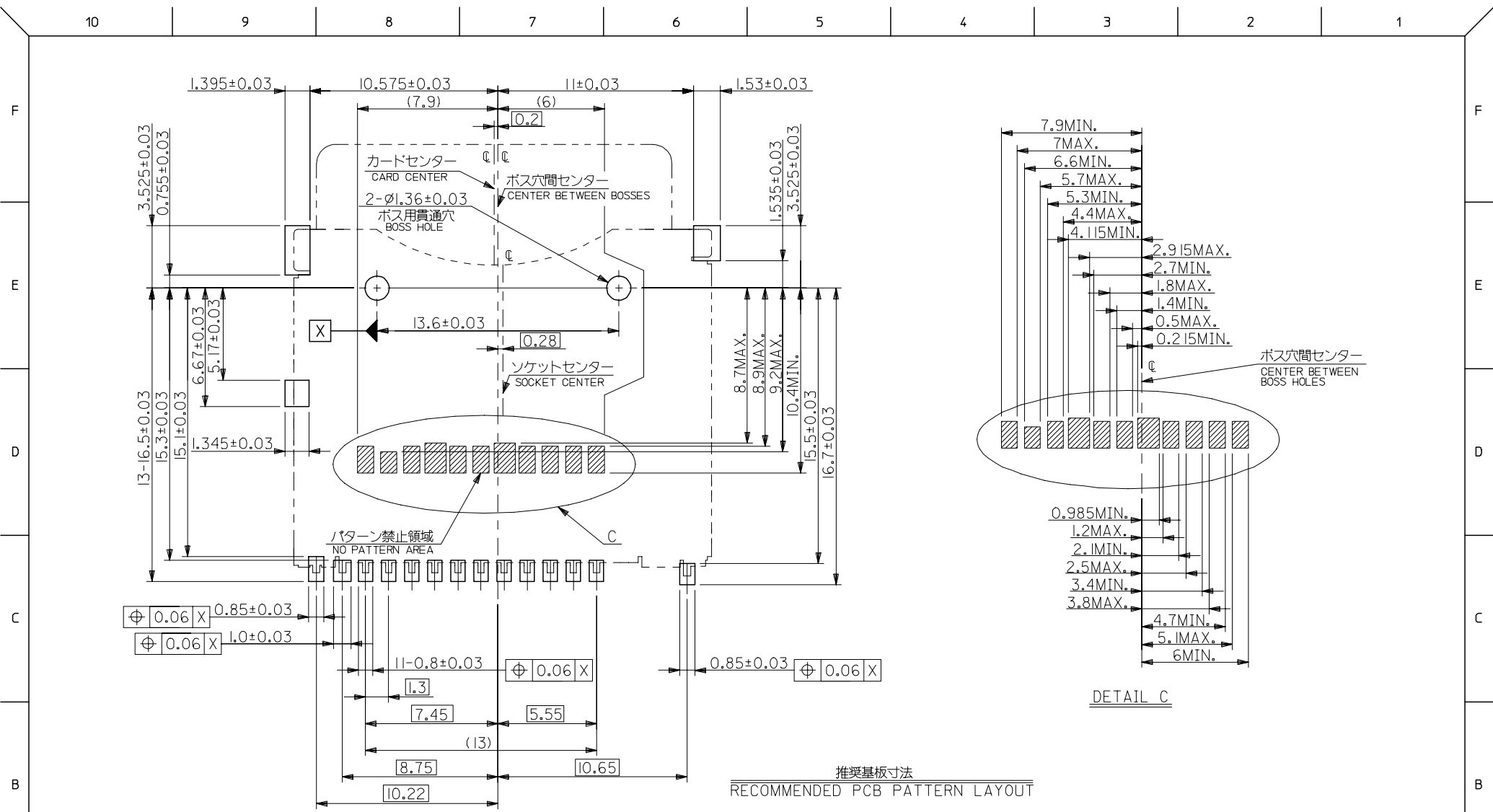


コネクタ端子配列
ARRANGEMENT OF TERMINAL



コネクタのメタルカバー角窓詳細
DETAIL OF METAL COVER WINDOW

SEE SHEET 1 OF 3 EC NO: J2005-1964 DRAWN: KYAMANE 2005/01/11 CHK'D: KADACHI 2005/01/11 APPR: MIYAZAWA 2005/01/14	GENERAL TOLERANCES (UNLESS SPECIFIED)		DIMENSION STYLE MM ONLY		SCALE 2:1	DESIGN UNITS METRIC	THIRD ANGLE PROJECTION	
	10 UNDER	± ---	DRAWN BY KYAMANE	DATE 2004/07/15	TITLE MINISD SOCKET CONNECTOR (NORMAL TYPE) -LEAD FREE-			
	10 OVER 30 UNDER	± ---	CHECKED BY MYAGI	DATE 2004/07/15				
	30 OVER	± ---	APPROVED BY MIYAZAWA	DATE 2004/07/15	MOLEX INCORPORATED			
	ANGULAR	± --- °	MATERIAL NO.	DOCUMENT NO.				
DRAFT WHERE APPLICABLE MUST REMAIN WITHIN DIMENSIONS		SEE SHEET 1 OF 3		SD-500972-001				

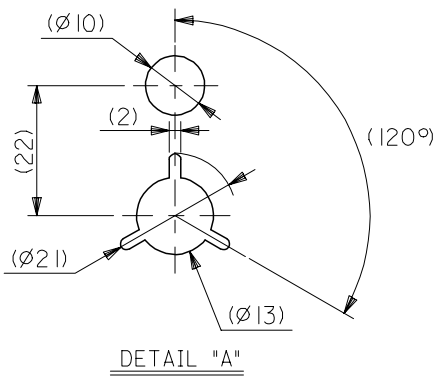
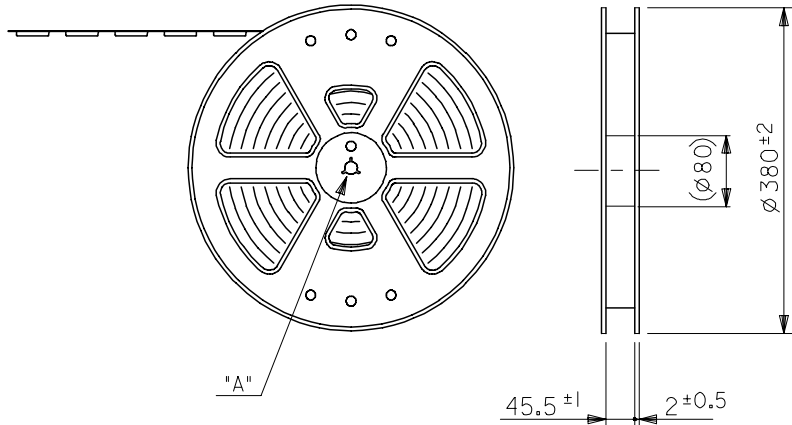


推奨基板寸法
RECOMMENDED PCB PATTERN LAYOUT

SEE SHEET 1 OF 3 EC NO: J2005-1964 DRAWN: KYAMANE 2005/01/11 CHKD: KADACHI 2005/01/11 APPR: MIYAZAWA 2005/01/14	GENERAL TOLERANCES (UNLESS SPECIFIED)		DIMENSION STYLE MM ONLY		SCALE 5:1	DESIGN UNITS METRIC	THIRD ANGLE PROJECTION	
	10 UNDER	± ---	DRAWN BY KYAMANE	DATE 2004/07/15	TITLE MINISD SOCKET CONNECTOR (NORMAL TYPE) -LEAD FREE-			
	10 OVER 30 UNDER	± ---	CHECKED BY MYAGI	DATE 2004/07/15				
	30 OVER	± ---	APPROVED BY MIYAZAWA	DATE 2004/07/15	MOLEX INCORPORATED			
	ANGULAR	± --- °	MATERIAL NO.	DOCUMENT NO.				
DRAFT WHERE APPLICABLE MUST REMAIN WITHIN DIMENSIONS		SEE SHEET 1 OF 3			SD-500972-001			

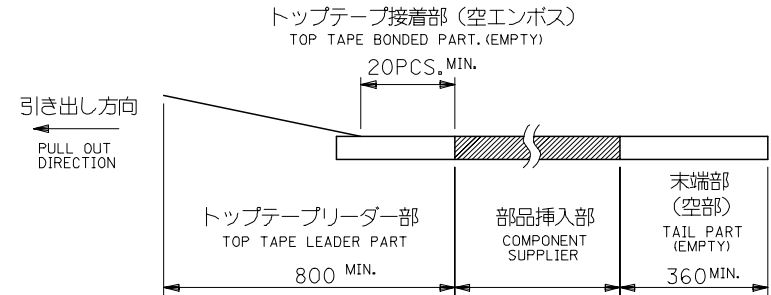
10 9 8 7 6 5 4 3 2 1

引き出し方向
PULL OUT DIRECTION

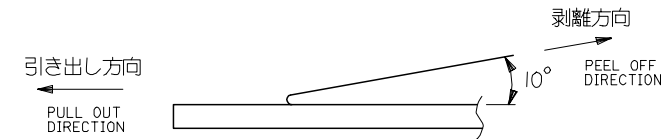


NOTES

- 製品詳細寸法については、SD図面を参照下さい。
RE DETAILED DIMENSION, SEE SALES DRAWING.
- 梱包数量：500個/リール
NUMBER OF CONNECTORS : 500PCS/REEL
- リードテープ長さ LEAD TAPE LENGTH

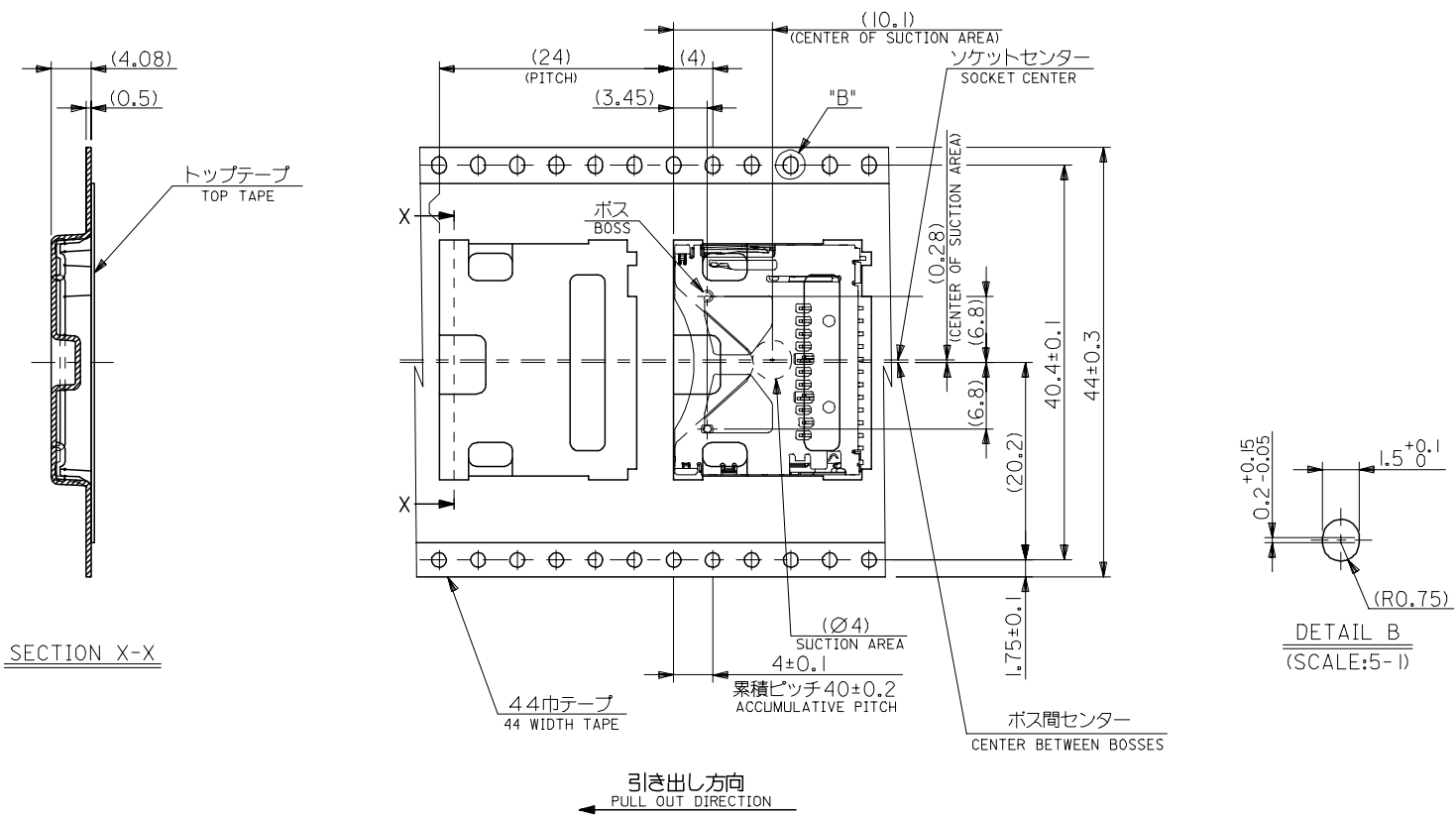


- トップテープの剥離強度：0.1N～1.3N (10.2gf～130gf) (剥離方向は下図参照) 尚、本規格値は出荷時に適用。(但し、輸送時に剥離が発生しないこと。)
PEELING OFF FORCE OF TOP TAPE : 0.1N～1.3N (10.2gf～130gf) (PEELING DIRECTION AS SHOWN IN FOLLOWING FIG.) THIS REQUIREMENT SHOULD BE APPLIED AT SHIPMENT. PEEL OFF SHOULD NOT BE ALLOWED , DURING TRANSPORTATION.



- 材料 (MATERIAL)
キャリアテープ (CARRIER TAPE) : ポリプロピレン (POLYPROPYLENE)
トップテープ (TOPTAPE) : PET, PE, PEF
リール (REEL) : ポリスチレン (PS) <リサイクル材を含む>
POLYSTYRENE (PS) <RECYCLE MATERIAL CONTAINED>

REVISED EC No: J2005-1246 DRAWN: KYAMANE 2004/10/26 CHKD: KADACHI 2004/10/27 APPR: MIYAZAW 2004/10/29	GENERAL TOLERANCES (UNLESS SPECIFIED)		DIMENSION STYLE MM ONLY		SCALE ---	DESIGN UNITS METRIC	THIRD ANGLE PROJECTION	
	10 UNDER	± ---	DRAWN BY KYAMANE	DATE 2004/07/14	TITLE MINISD SOCKET CONNECTOR EMBOSSD TAPE PACKAGE -LEAD FREE-			
	10 OVER 30 UNDER	± ---	CHECKED BY MYAGI	DATE 2004/07/14	MOLEX INCORPORATED			
	30 OVER	± ---	APPROVED BY MIYAZAWA	DATE 2004/07/14	DOCUMENT NO. SD-500972-002		SHEET NO. 1 OF 2	
	ANGULAR ± --- °		MATERIAL NO. 500972-1107					
DRAFT WHERE APPLICABLE MUST REMAIN WITHIN DIMENSIONS		THIS DRAWING CONTAINS INFORMATION THAT IS PROPRIETARY TO MOLEX INCORPORATED AND SHOULD NOT BE USED WITHOUT WRITTEN PERMISSION						



SECTION X-X

DETAIL B
(SCALE:5-1)

SEE SHEET 1 OF 2 EC NO: J2005-1246 DRW: KYAMANE 2004/10/26 CHK: KADACHI 2004/10/27 APPR: MIYAZAW 2004/10/29 REV B	GENERAL TOLERANCES (UNLESS SPECIFIED)		DIMENSION STYLE MM ONLY		SCALE 2:1	DESIGN UNITS METRIC	THIRD ANGLE PROJECTION	
	10 UNDER	± ---	DRAWN BY KYAMANE	DATE 2004/07/14	TITLE MINISD SOCKET CONNECTOR EMBOSSED TAPE PACKAGE			
	10 OVER 30 UNDER	± ---	CHECKED BY MYAGI	DATE 2004/07/14				
	30 OVER	± ---	APPROVED BY MIYAZAWA	DATE 2004/07/14	MOLEX INCORPORATED			
	ANGULAR	± --- °	MATERIAL NO.	DOCUMENT NO.	SEE SHEET 1 OF 2 SD-500972-002		SHEET NO. 2 OF 2	
DRAFT WHERE APPLICABLE MUST REMAIN WITHIN DIMENSIONS		SIZE A3		THIS DRAWING CONTAINS INFORMATION THAT IS PROPRIETARY TO MOLEX INCORPORATED AND SHOULD NOT BE USED WITHOUT WRITTEN PERMISSION				