



Chipsmall Limited consists of a professional team with an average of over 10 year of expertise in the distribution of electronic components. Based in Hongkong, we have already established firm and mutual-benefit business relationships with customers from,Europe,America and south Asia,supplying obsolete and hard-to-find components to meet their specific needs.

With the principle of “Quality Parts,Customers Priority,Honest Operation,and Considerate Service”,our business mainly focus on the distribution of electronic components. Line cards we deal with include Microchip,ALPS,ROHM,Xilinx,Pulse,ON,Everlight and Freescale. Main products comprise IC,Modules,Potentiometer,IC Socket,Relay,Connector.Our parts cover such applications as commercial,industrial, and automotives areas.

We are looking forward to setting up business relationship with you and hope to provide you with the best service and solution. Let us make a better world for our industry!



Contact us

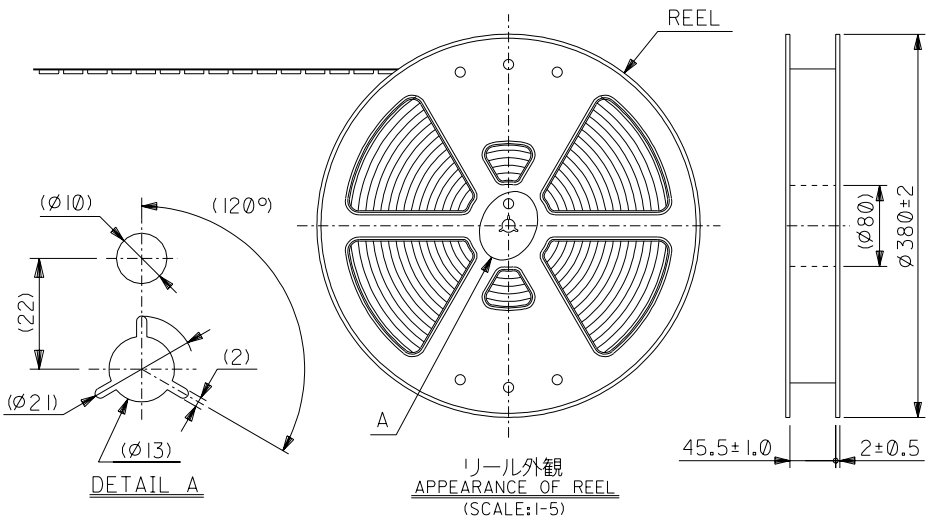
Tel: +86-755-8981 8866 Fax: +86-755-8427 6832

Email & Skype: info@chipsmall.com Web: www.chipsmall.com

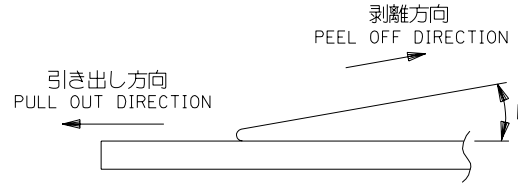
Address: A1208, Overseas Decoration Building, #122 Zhenhua RD., Futian, Shenzhen, China



DWG. NO. SD-500990-001



3. トップテープの剥離強度: 0.1 ~ 1.3N (10.2 ~ 130gf)
 <剥離速度: 300mm/min (参考)> (剥離方向は下図参照)
 PEEL-OFF FORCE OF TOP TAPE: 0.1 ~ 1.3 N (10.2 ~ 130gf)
 (PEELING DIRECTION AS SHOWN IN FOLLOWING FIG.)
 <PEEL-OFF SPEED : 300mm/min (REF.)>

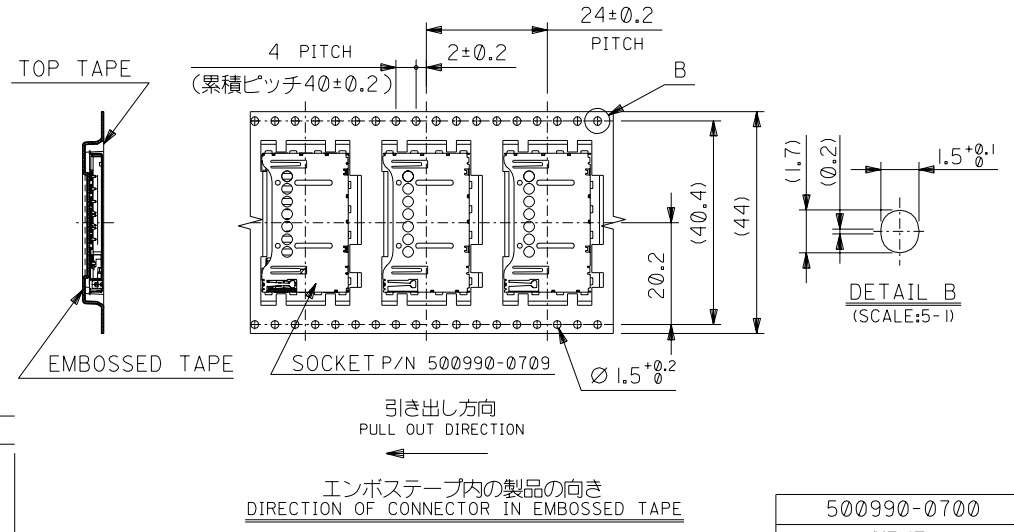
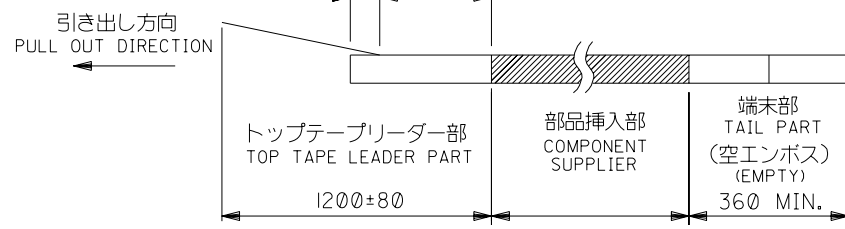


4. 材料 キャリアテープ: ポリプロピレン (PP)
 トップテープ : PET, PE, PEF
 リール : ポリスチレン (PS) <リサイクル材を含む>
 MATERIAL CARRIER TAPE : POLYPROPYLENE
 TOP TAPE : PET, PE, PEF
 REEL : POLYSTYRENE <RECYCLE MATERIAL CONTAINED>

注記
NOTES

- 梱包数量: 900 個/リール
NUMBER OF CONNECTORS: 900PCS/REEL
- リードテープ長さ
LEAD TAPE LENGTH

トップテープ未接着部 TOP TAPE NON-BONDED PART 25±25
 トップテープ接着部 (空エンボス) TOP TAPE BONDED PART (EMPTY) 25-30PCS.



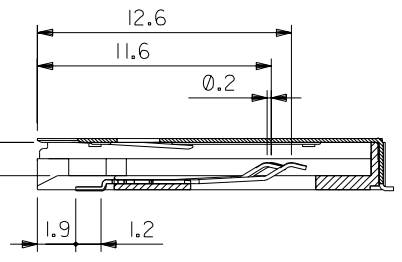
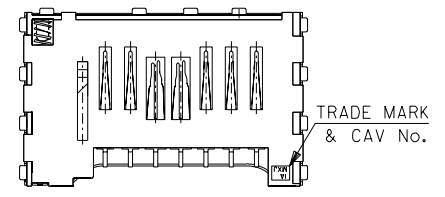
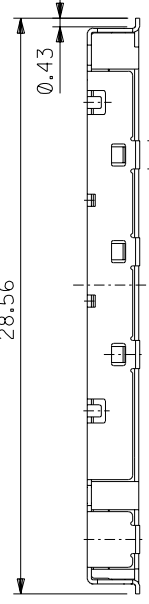
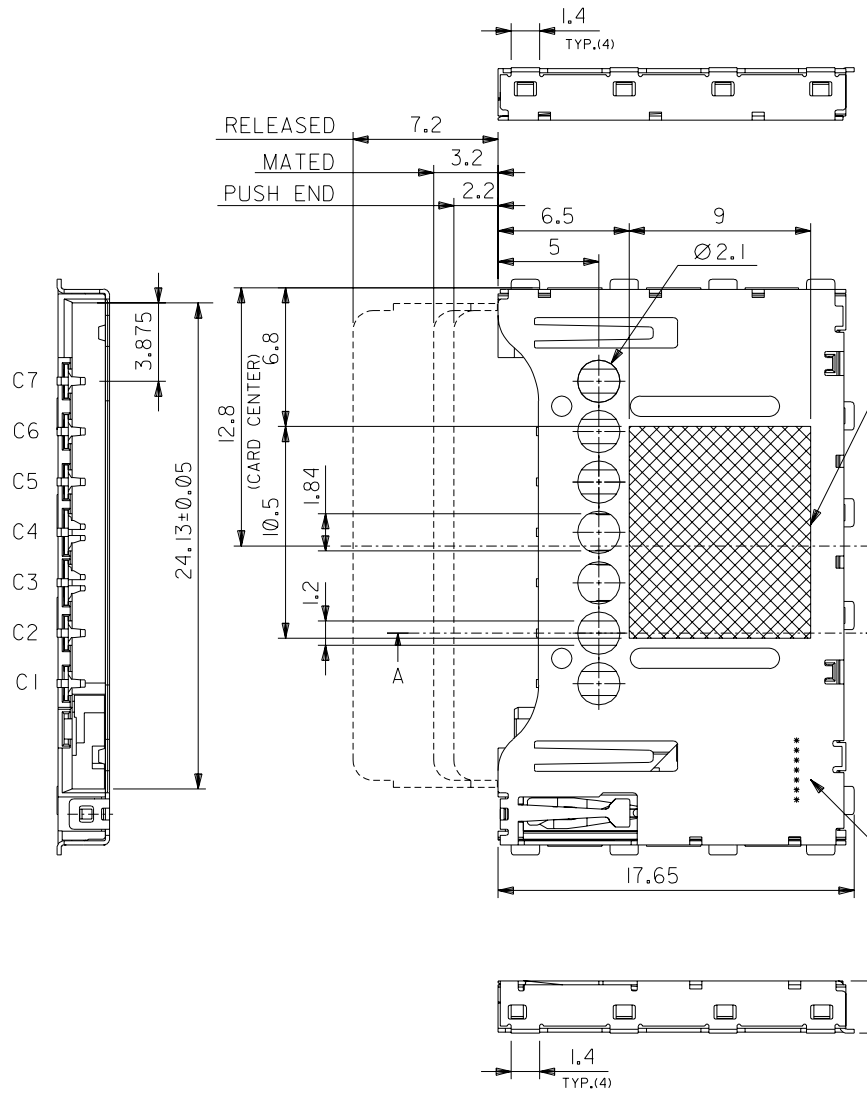
500990-0700
 製品番号
 MATERIAL No.

DO NOT SCALE DRAWING

EC NO. DRAWN: CHK: APPR:	EC NO. DRAWN: CHK: APPR:	EC NO. DRAWN: CHK: APPR:	EC NO. DRAWN: CHK: APPR:	EC NO. DRAWN: CHK: APPR:	REV	MATERIAL 材料 SEE CHART	GENERAL TOLERANCES: (UNLESS SPECIFIED) 一般公差	SCALE 1-1	DESIGN UNITS <input checked="" type="checkbox"/> mm <input type="checkbox"/> INCH	THIRD ANGLE PROJECTION <input type="checkbox"/> mm <input type="checkbox"/> INCH <input checked="" type="checkbox"/> mm ONLY	SHT REV
					0	FINISH 仕上げ SEE CHART	10 UNDER 未滿 ±0.2	DRAWN BY & DATE M. SHINYAMA '03/12/03	TITLE: EMBOSSED TAPE PACKAGE FOR 500990-0709 (RS MMC SOCKET NORMAL TYPE) -LEAD FREE-	MOLEX INCORPORATED	MATERIAL NO. DRAWING NO. SD-500990-001
					WIRE RANGE 適用電線範囲	10 OVER 30 UNDER 未滿 ±0.25	CHECKED BY & DATE S. Takase '03/12/03	SHEET NO. 1 OF 1			
					INS. RANGE 被覆外径	30 OVER 以上 ±0.3	APPROVED BY & DATE Y. Ito '03/12/03				
RELEASED EC NO. J2004-4486 DRAWN: M. SHINYAMA '04/05/25 CHK: H. TAKASE APPR: Y. ITO						WIRE RANGE 適用電線範囲	ANGLE 角度 ±3°	CAD FILENAME SD-500990-001.S01	THIS DRAWING CONTAINS INFORMATION THAT IS PROPRIETARY TO MOLEX INCORPORATED AND SHOULD NOT BE USED WITHOUT WRITTEN PERMISSION.		

DWG. NO. SD-500990-002

DO NOT SCALE DRAWING



NOTES

- ① ターミナルおよびネールの平坦度は 0.10 MAX.
TERMINAL AND NAIL COPLANARITY TO BE 0.1MAX.
- 2. 納入時、スライドカムは非ロック状態
WHEN DELIVERING, THE SLIDER CAM IS IN THE STATE OF THE UNLOCK.
- ③ ロットNo. * * * * *
LOT No. 2004 : END OF YEAR

2004	: END OF YEAR
	MONTH
	DAY
	PLACE
	LINE No.

500990-0709
製品番号
MATERIAL No.

EC NO. DRWN: CHK: APPR:	EC NO. DRWN: CHK: APPR:	EC NO. DRWN: CHK: APPR:	EC NO. DRWN: CHK: APPR:	EC NO. DRWN: CHK: APPR:	RELEASED EC NO. J2004-4486 DRWN:M.SHINYAMA 04/05/25 CHK: H.TAKASE APPR: YO.IITO
----------------------------------	----------------------------------	----------------------------------	----------------------------------	----------------------------------	---

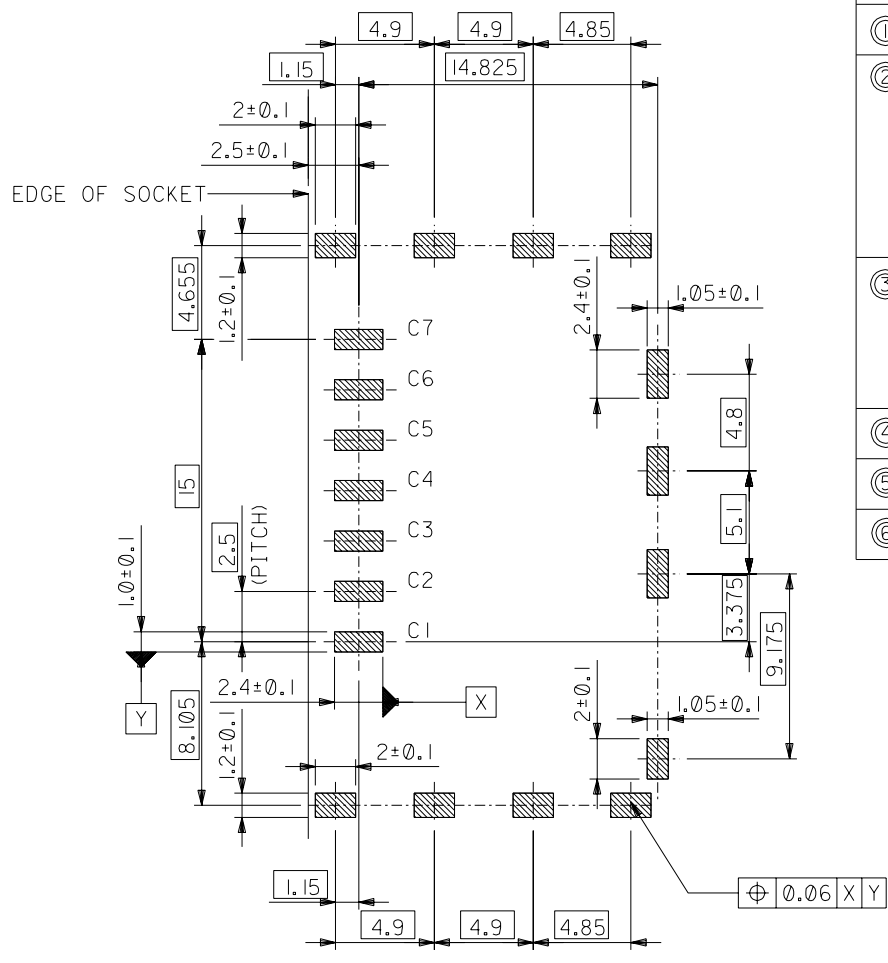
MATERIAL 材料	SEE CHART
FINISH 仕上り	SEE CHART
WIRE RANGE 適用電線範囲	—
INS. RANGE 被覆外径	—

GENERAL TOLERANCES: (UNLESS SPECIFIED) 一般公差	SCALE 4-1	DESIGN UNITS mm INCH	THIRD ANGLE PROJECTION
10 UNDER 未満	±0.2	DRAWN BY & DATE M.SHINYAMA 03/12/01	TITLE: RS MMC SOCKET NORMAL TYPE HOUSING ASS'Y
10 OVER 30 UNDER 未満	±0.25	CHECKED BY & DATE H.Takase 03/12/01	MATERIAL NO. SEE TABLE DRAWING NO. SD-500990-002 SHEET NO. 1 OF 2
30 OVER 以上	±0.3	APPROVED BY & DATE Y.Ota 03/12/01	
ANGLE 角度	±3°	CAD FILENAME SD-500990-002.S01	MOLEX INCORPORATED

DIMENSIONS: <input type="checkbox"/> mm <input type="checkbox"/> INCH <input checked="" type="checkbox"/> mm ONLY		SHT REV
THIS DRAWING CONTAINS INFORMATION THAT IS PROPRIETARY TO MOLEX INCORPORATED AND SHOULD NOT BE USED WITHOUT WRITTEN PERMISSION.		REVISE ON CAD ONLY

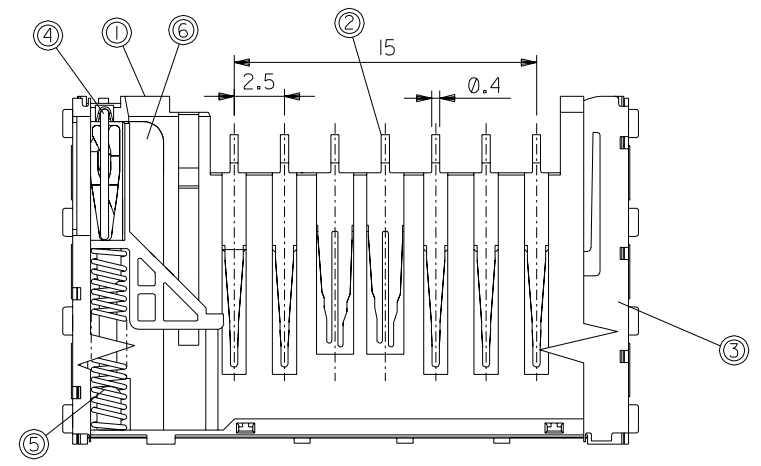
DWG. NO. SD-500990-002

8 7 6 5 4 3 2 1



推奨基板寸法
RECOMMENDED P.C. BOARD LAYOUT

番号 No.	部品 PARTS	材質/仕上げ MATERIAL/REMARKS
①	ハウジング HOUSING	LCP, UL94V-0, 色:黒 LIQUID CRYSTAL POLYMER, UL94V-0, BLACK
②	ターミナル TERMINAL	銅合金(燐青銅 C5210R-EH, $t=0.2$) COPPER ALLOY (PHOSPHOR BRONZE C5210R-EH, $t=0.2$) めっき仕様 接点部:金めっき 0.6マイクロメートル以上 PLATING CONTACT: Au PLATING, 0.6 MICRO METER MINIMUM 半田付け部:錫めっき 1~3マイクロメートル以上 SOLDER: Sn PLATING, 1~3 MICRO METER MINIMUM 下地めっき:ニッケルめっき 2マイクロメートル以上 UNDER PLATING: Ni PLATING, 2 MICRO METER MINIMUM
③	メタルシェル METAL SHELL	ステンレス鋼, $t=0.2$. STAINLESS STEEL(SUS304), $t=0.2$, SOLDERABILITY IMPROVEMENT COAT めっき仕様 下地めっき:ニッケルめっき 2マイクロメートル以上 PLATING UNDER PLATING: Ni PLATING, 2 MICRO METER MINIMUM 半田付け処理(金、パラジウムコート) SOLDERABILITY IMPROVEMENT COAT(Au & Pd COAT)
④	カムピン CAM PIN	ステンレス鋼 STAINLESS STEEL (SUS304)
⑤	スプリング COIL SPRING	ピアノ線, ニッケルめっき PIANO WIRE (SWP), NICKEL PLATING
⑥	スライドカム SLIDER CAM	LCP, UL94V-0, 色:黒 LIQUID CRYSTAL POLYMER, UL94V-0, BLACK



DO NOT SCALE DRAWING

EC NO. DRAWN: CHK'g: APPR:	EC NO. DRAWN: CHK'g: APPR:	EC NO. DRAWN: CHK'g: APPR:	EC NO. DRAWN: CHK'g: APPR:	EC NO. DRAWN: CHK'g: APPR:	EC NO. DRAWN: CHK'g: APPR:	DESCRIPTION MATERIAL 材料 SEE CHART FINISH 仕上げ SEE CHART WIRE RANGE 適用電線範囲 INS. RANGE 被覆外径	GENERAL TOLERANCES: (UNLESS SPECIFIED) 一般公差 10 UNDER 未滿 ±0.2 10 OVER 30 UNDER 以上 未滿 ±0.25 30 OVER 以上 ±0.3 ANGLE 角度 ±3°	SCALE 4-1 DESIGN UNITS <input checked="" type="checkbox"/> mm <input type="checkbox"/> INCH DRAWN BY & DATE M. SHINYAMA 03/12/01 CHECKED BY & DATE S. Takase 03/12/01 APPROVED BY & DATE Y. Ota 03/12/01 CAD FILENAME SD-500990-002.S02	THIRD ANGLE PROJECTION DIMENSIONS: <input type="checkbox"/> mm <input type="checkbox"/> INCH <input checked="" type="checkbox"/> mm <input type="checkbox"/> INCH ONLY SHT REV REVISE ON CAD ONLY	TITLE: RS MMC SOCKET NORMAL TYPE HOUSING ASS'Y -LEAD FREE-	MATERIAL NO. SEE TABLE DRAWING NO. SD-500990-002 SHEET NO. 2 OF 2	MOLEX INCORPORATED	THIS DRAWING CONTAINS INFORMATION THAT IS PROPRIETARY TO MOLEX INCORPORATED AND SHOULD NOT BE USED WITHOUT WRITTEN PERMISSION.	SIZE B
-------------------------------------	-------------------------------------	-------------------------------------	-------------------------------------	-------------------------------------	-------------------------------------	--	---	---	---	---	--	--------------------	--	-----------

8 7 6 5 4 3 2 1 EN-02J(097) MXJ-54