



Chipsmall Limited consists of a professional team with an average of over 10 year of expertise in the distribution of electronic components. Based in Hongkong, we have already established firm and mutual-benefit business relationships with customers from,Europe,America and south Asia,supplying obsolete and hard-to-find components to meet their specific needs.

With the principle of “Quality Parts,Customers Priority,Honest Operation,and Considerate Service”,our business mainly focus on the distribution of electronic components. Line cards we deal with include Microchip,ALPS,ROHM,Xilinx,Pulse,ON,Everlight and Freescale. Main products comprise IC,Modules,Potentiometer,IC Socket,Relay,Connector.Our parts cover such applications as commercial,industrial, and automotives areas.

We are looking forward to setting up business relationship with you and hope to provide you with the best service and solution. Let us make a better world for our industry!



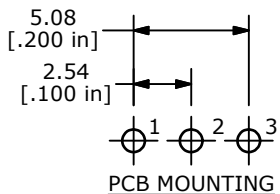
## Contact us

Tel: +86-755-8981 8866 Fax: +86-755-8427 6832

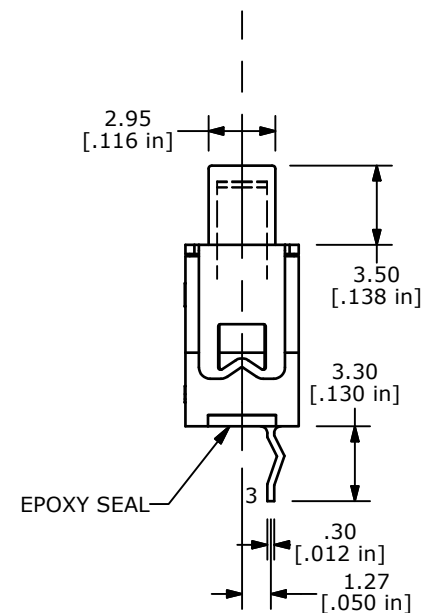
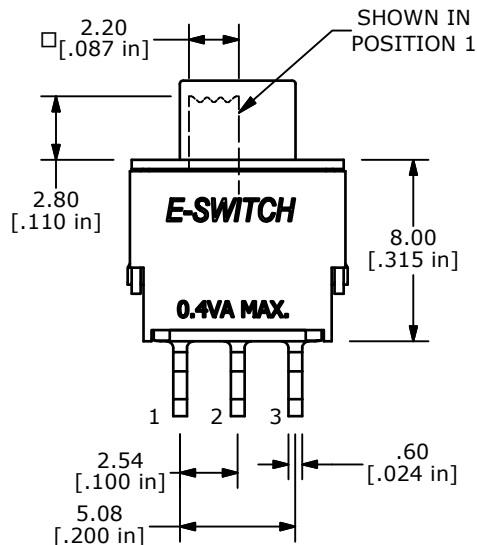
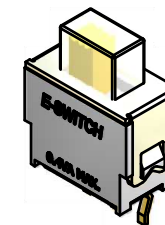
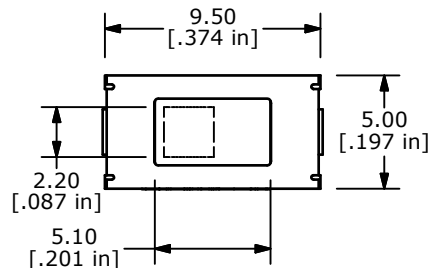
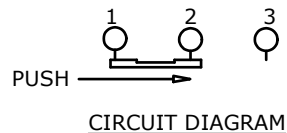
Email & Skype: info@chipsmall.com Web: www.chipsmall.com

Address: A1208, Overseas Decoration Building, #122 Zhenhua RD., Futian, Shenzhen, China





SWITCH FUNCTION	
POS. 1	POS. 3
ON	ON
2-1	2-3



- NOTE:
1. ALL DIMENSIONS IN MM [INCH]
  2. GENERAL TOLERANCE: X.X=±0.4  
X.XX=±0.25
  3. TERMINAL NUMBERS FOR REF ONLY
  4. RATING: 0.4 VA MAX. @ 20 V (AC OR DC)
  5. ELECTRICAL LIFE: 40,000 ACTUATIONS AT FULL LOAD.
  6. CONTACT RESISTANCE: <50 mΩ
  7. INSULATION RESISTANCE: >500 MEGA Ω @250V DC FOR 1 MINUTE.
  8. ACTUATION FORCE: 200 +/-100g
  9. DIELECTRIC STRENGTH: 500 VAC
  10. OPERATING TEMP.: -20°C to 80°C
  11. ▲ DENOTES CRITICAL PARAMETER.
  12. TRAVEL: 1.9mm
  13. 2002/95/EC (ROHS) COMPLIANT



A	20132	RELEASE FOR PRODUCTION	09/06/11	BMA
REV	PCR NO	DESCRIPTION	DATE	BY

TITLE 500RSP1S1M2RE				
SCALE	DATE	DR	DWG	REV
3:1	9/6/2011	BMA	T540002	A

THE INFORMATION CONTAINED IN THIS DOCUMENT IS PROPRIETARY TO E-SWITCH AND IS NOT TO BE COPIED OR TRANSFERRED