



Chipsmall Limited consists of a professional team with an average of over 10 year of expertise in the distribution of electronic components. Based in Hongkong, we have already established firm and mutual-benefit business relationships with customers from,Europe,America and south Asia,supplying obsolete and hard-to-find components to meet their specific needs.

With the principle of “Quality Parts,Customers Priority,Honest Operation,and Considerate Service”,our business mainly focus on the distribution of electronic components. Line cards we deal with include Microchip,ALPS,ROHM,Xilinx,Pulse,ON,Everlight and Freescale. Main products comprise IC,Modules,Potentiometer,IC Socket,Relay,Connector.Our parts cover such applications as commercial,industrial, and automotives areas.

We are looking forward to setting up business relationship with you and hope to provide you with the best service and solution. Let us make a better world for our industry!



## Contact us

Tel: +86-755-8981 8866 Fax: +86-755-8427 6832

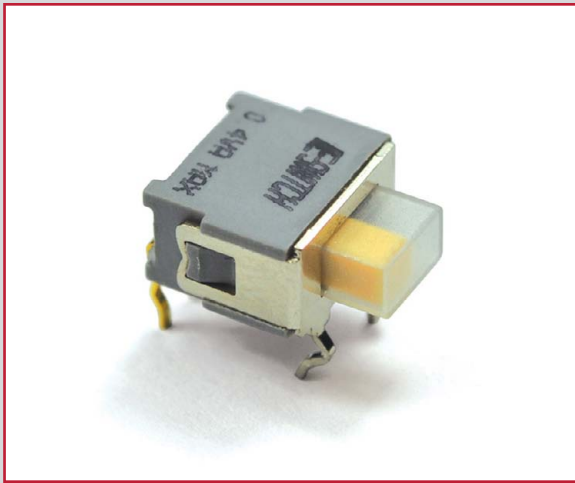
Email & Skype: info@chipsmall.com Web: www.chipsmall.com

Address: A1208, Overseas Decoration Building, #122 Zhenhua RD., Futian, Shenzhen, China



# 500R SERIES SLIDE SWITCH

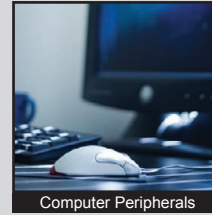
ANTI-VANDAL SWITCHES  
 DETECTOR SWITCHES  
 DIP SWITCHES  
 KEYLOCK SWITCHES  
 NAVIGATION SWITCHES  
 PUSHBUTTON SWITCHES  
 ROCKER SWITCHES  
 ROTARY SWITCHES  
 SLIDE SWITCHES  
 SNAP ACTION SWITCHES  
 TACTILE SWITCHES  
 TOGGLE SWITCHES  
 CAP OPTIONS



## APPLICATIONS / MARKETS



Audio / Visual



Computer Peripherals



Consumer Electronics



Instrumentation



Telecommunication



Medical Equipment

# RoHS

## SPECIFICATIONS

**Electrical Rating:** 0.4VA Max. @ 20V (AC or DC max)  
**Life Expectancy:** 40,000 Cycles  
**Contact Resistance:** 50mΩ Max.  
**Insulation Resistance:** 500 MΩ Min. at 250VDC  
**Dielectric Strength:** 500VAC RMS at Sea Level  
**Operating Temperature:** -20°C to 80°C  
**Operating Force:**  
 2-position: 200 gf +/- 100 gf  
 3-position: 250 gf +/- 125gf  
**Travel:**  
 2-position: 1.9mm  
 3-position: 0.95mm

## FEATURES & BENEFITS

- Offers IP67 sealing protection
- up to 3-positions
- SPDT and DPDT options
- Gold contact

## PART NUMBER CONFIGURATOR

Series	Function	Actuator	Terminal	Contact Material	Seal
<input type="text" value="5"/> <input type="text" value="0"/> <input type="text" value="0"/> <input type="text" value="R"/>	<input type="text" value="S"/> <input type="text" value="P"/> <input type="text" value="1"/>	<input type="text" value="S"/> <input type="text" value="1"/>	<input type="text" value="M"/> <input type="text" value="2"/>	<input type="text" value="R"/>	<input type="text" value="E"/>
500R	SP1 - On-None-On SP3 - On-Off-On DP1 - On-None-On DP3 - On-Off-On	S1 - 2.80mm high	M2 - PC thru-hole M6 - Right angle, PC thru-hole	R - Gold	E - Epoxy

*Specifications subject to change without notice*



**E-SWITCH®**

www.e-switch.com

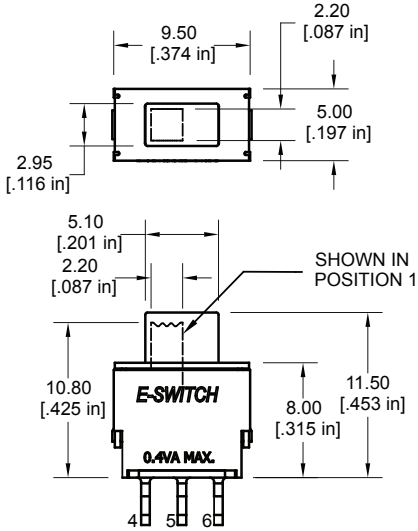
800.867.2717

2

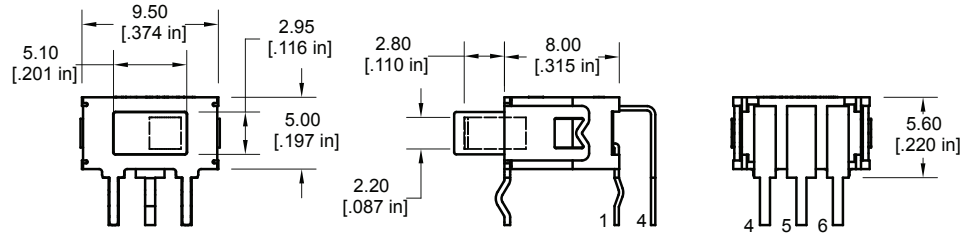
# 500R SERIES SLIDE SWITCH

## BODY DIMENSIONS (DOUBLE POLE SHOWN)

### VERTICAL

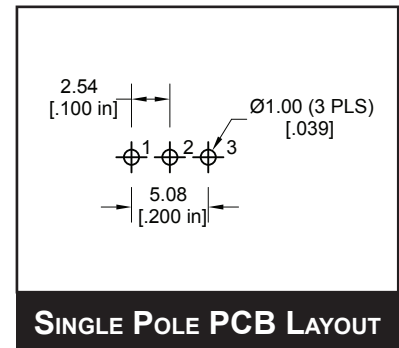
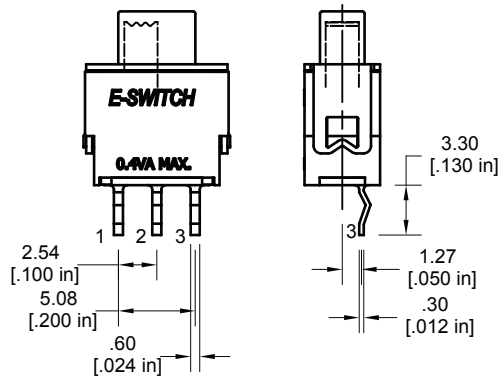


### RIGHT ANGLE

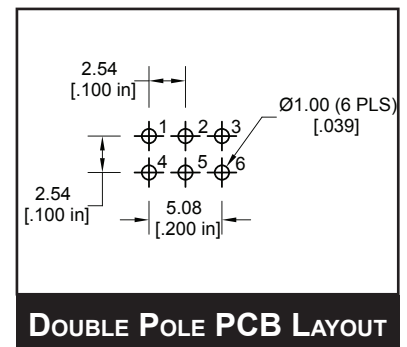
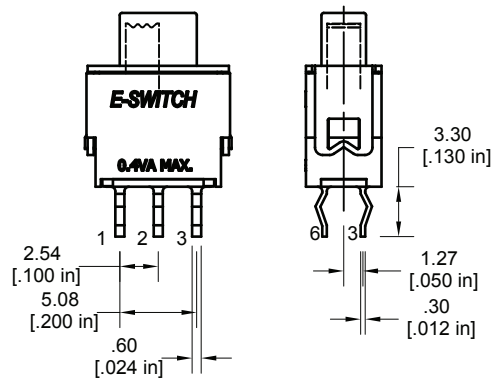


## M2 TERMINATION

### SINGLE POLE



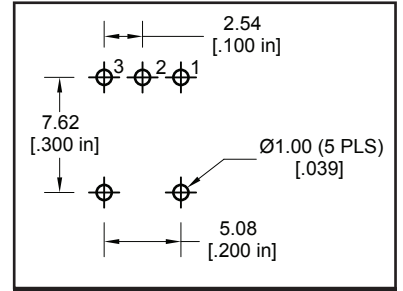
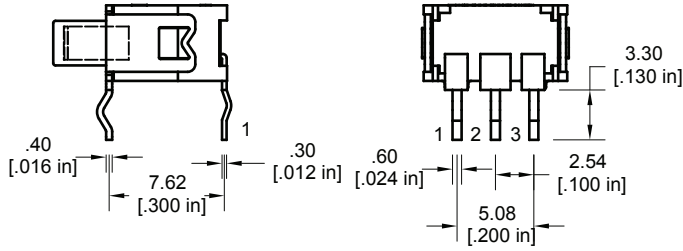
### DOUBLE POLE



# 500R SERIES SLIDE SWITCH

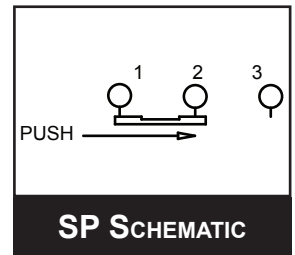
## M6 TERMINATION

### SINGLE POLE

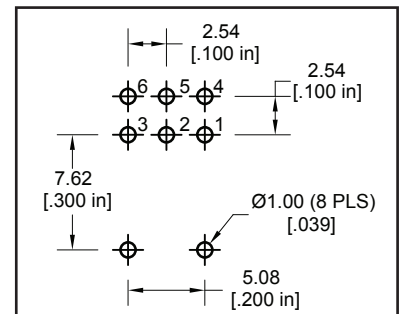
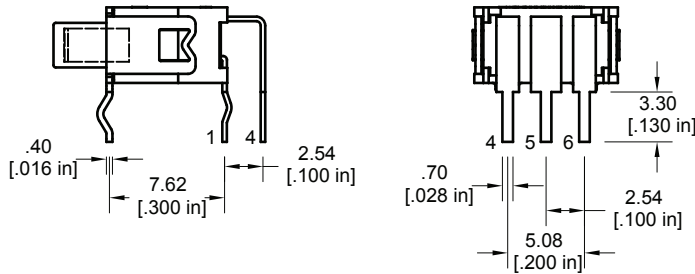


**SINGLE POLE PCB LAYOUT**

SWITCH FUNCTION			
	POS. 1	POS. 2	POS. 3
Model No.			
SP1	ON	NONE	ON
SP3	ON	OFF	ON
Term. Comm.	2-1	OPEN	2-3



### DOUBLE POLE



**DOUBLE POLE PCB LAYOUT**

SWITCH FUNCTION			
	POS. 1	POS. 2	POS. 3
Model No.			
DP1	ON	NONE	ON
DP3	ON	OFF	ON
Term. Comm.	2-1,5-4	OPEN	2-3, 5-6

