



Chipsmall Limited consists of a professional team with an average of over 10 year of expertise in the distribution of electronic components. Based in Hongkong, we have already established firm and mutual-benefit business relationships with customers from,Europe,America and south Asia,supplying obsolete and hard-to-find components to meet their specific needs.

With the principle of “Quality Parts,Customers Priority,Honest Operation,and Considerate Service”,our business mainly focus on the distribution of electronic components. Line cards we deal with include Microchip,ALPS,ROHM,Xilinx,Pulse,ON,Everlight and Freescale. Main products comprise IC,Modules,Potentiometer,IC Socket,Relay,Connector.Our parts cover such applications as commercial,industrial, and automotives areas.

We are looking forward to setting up business relationship with you and hope to provide you with the best service and solution. Let us make a better world for our industry!



Contact us

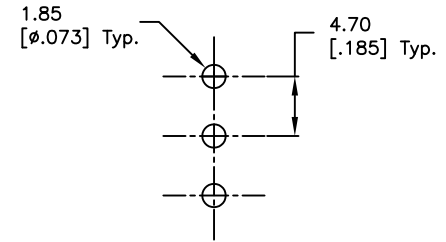
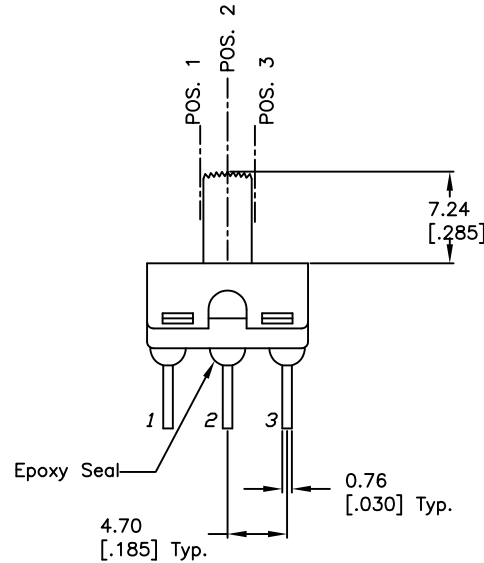
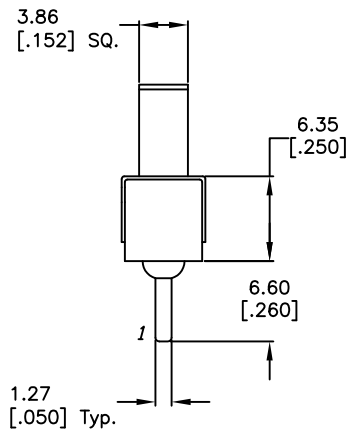
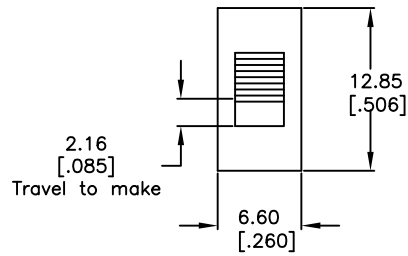
Tel: +86-755-8981 8866 Fax: +86-755-8427 6832

Email & Skype: info@chipsmall.com Web: www.chipsmall.com

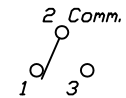
Address: A1208, Overseas Decoration Building, #122 Zhenhua RD., Futian, Shenzhen, China



SHEET OF



RECOMMEND P.C.B. LAYOUT



CIRCUIT: SPDT
CONTACT CONFIGURATION

SWITCH FUNCTION		
POS. 1	POS. 2	POS. 3
DN	NONE	DN
2-1	OPEN	2-3

NOTES:

- ALL DIMENSIONS IN MM [INCH]
- GENERAL TOLERANCE: 0.0±0.4
0.00±0.25
- TERM. NOS. FOR REF. ONLY
- RATING: 5A @120VAC or 28VDC; 2A @250VAC
- FIXED TERMINAL & MOVING CONTACT: Silver plated copper alloy.
- CONTACT RESISTANCE: 10m ohm typical.
- ELECTRICAL LIFE: 30,000 Actuations at full load.
- INSULATION RESISTANCE: 1,000 M ohm min.
- DIELECTRIC STRENGTH: 1,000 V RMS @sea level.
- OPERATING TEMP.: -30°C to 85°C.

REV.	ECN No.	DESCRIPTION	DATE	CHKD
C	21566	DIM 6.60 WAS 6.35	9/03/14	rc
B	11849	DIM 7.24 WAS 7.62	12/07/01	RSB

THE INFORMATION CONTAINED IN THIS DOCUMENT IS PROPRIETARY TO E-SWITCH AND IS NOT TO BE COPIED OR TRANSFERRED

E-SWITCH®

TITLE				
500 SSP-1 S2 M2 Q E A				
SCALE	DATE	DR	DWG	REV
2:1	2/16/00	MM	T511028	C