



Chipsmall Limited consists of a professional team with an average of over 10 year of expertise in the distribution of electronic components. Based in Hongkong, we have already established firm and mutual-benefit business relationships with customers from,Europe,America and south Asia,supplying obsolete and hard-to-find components to meet their specific needs.

With the principle of “Quality Parts,Customers Priority,Honest Operation,and Considerate Service”,our business mainly focus on the distribution of electronic components. Line cards we deal with include Microchip,ALPS,ROHM,Xilinx,Pulse,ON,Everlight and Freescale. Main products comprise IC,Modules,Potentiometer,IC Socket,Relay,Connector.Our parts cover such applications as commercial,industrial, and automotives areas.

We are looking forward to setting up business relationship with you and hope to provide you with the best service and solution. Let us make a better world for our industry!



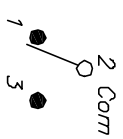
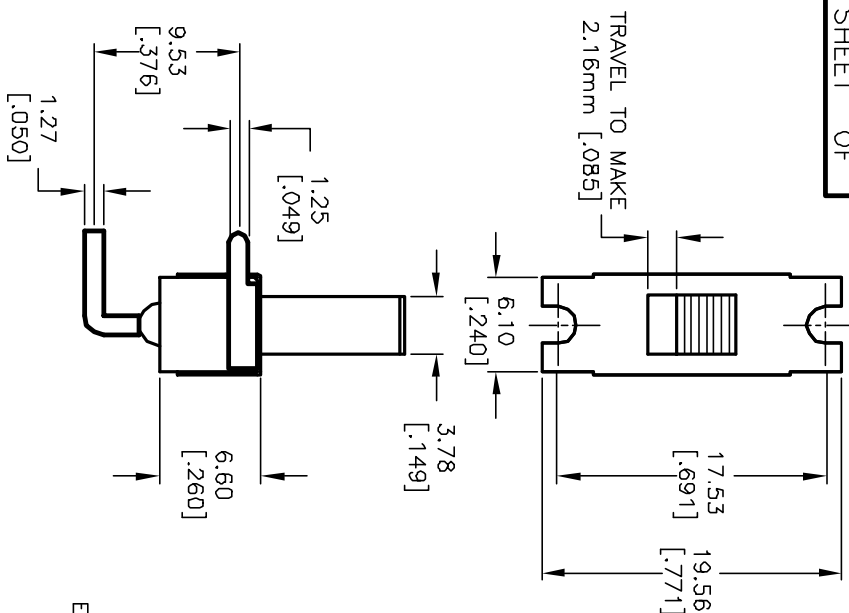
## Contact us

Tel: +86-755-8981 8866 Fax: +86-755-8427 6832

Email & Skype: info@chipsmall.com Web: www.chipsmall.com

Address: A1208, Overseas Decoration Building, #122 Zhenhua RD., Futian, Shenzhen, China





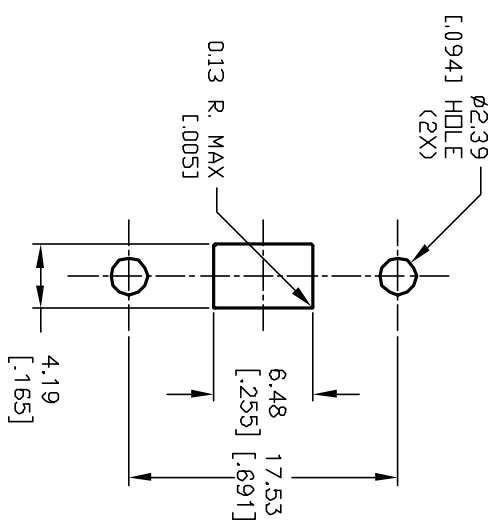
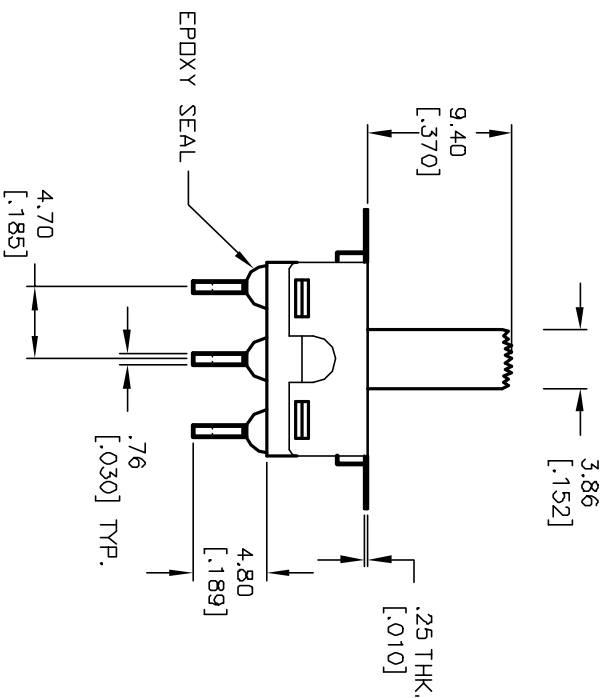
CIRCUIT, SPDT

SWITCH FUNCTION		
PDS. 1	PDS. 2	PDS. 3
DN	NONE	DN
2-1	OPEN	2-3

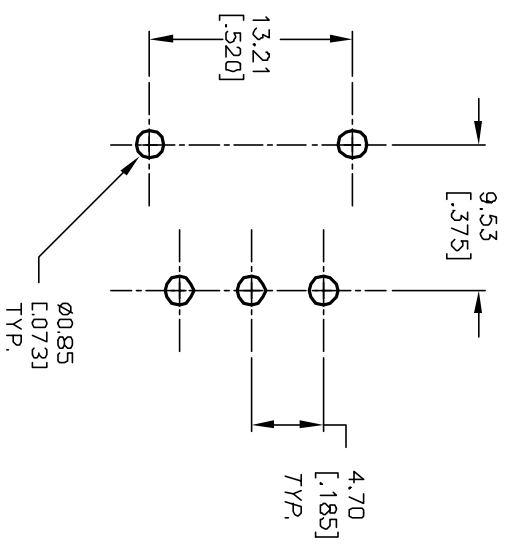
REV.	ECN No.	DESCRIPTION	DATE	CHKD
A	11979	RELEASED FOR PRODUCTION	2/26/02	CJB

TITLE	SCALE	DATE	DR	DWG	REV
500 SSP-1 S3 M6 Q E B	2:1	2/26/02	CJB	TS11029	A

- NOTES:
1. ALL DIMENSIONS IN MM [INCH]
  2. GENERAL TOLERANCE: X.X=±0.4  
X.XX=±0.25
  3. TERM NOS. FOR REF. ONLY
  4. RATING: 5A @120VAC or 28VDC (Resistive Load)  
2A @250VAC
  5. CONTACT MATERIAL: Copper Alloy w/Silver Plating
  6. INSULATION RESISTANCE: 1000 Mega Ohms min.
  7. DIELECTRIC STRENGTH: 1000V RMS @SEA LEVEL.
  8. OPERATING TEMPERATURE: -30°C TO 85°C



RECOMMENDED PANEL CUTOUT



RECOMMENDED P.C.B. LAYOUT



THE INFORMATION CONTAINED IN THIS DOCUMENT IS PROPRIETARY TO E-SWITCH AND IS NOT TO BE COPIED OR TRANSFERRED