



Chipsmall Limited consists of a professional team with an average of over 10 year of expertise in the distribution of electronic components. Based in Hongkong, we have already established firm and mutual-benefit business relationships with customers from,Europe,America and south Asia,supplying obsolete and hard-to-find components to meet their specific needs.

With the principle of “Quality Parts,Customers Priority,Honest Operation,and Considerate Service”,our business mainly focus on the distribution of electronic components. Line cards we deal with include Microchip,ALPS,ROHM,Xilinx,Pulse,ON,Everlight and Freescale. Main products comprise IC,Modules,Potentiometer,IC Socket,Relay,Connector.Our parts cover such applications as commercial,industrial, and automotives areas.

We are looking forward to setting up business relationship with you and hope to provide you with the best service and solution. Let us make a better world for our industry!



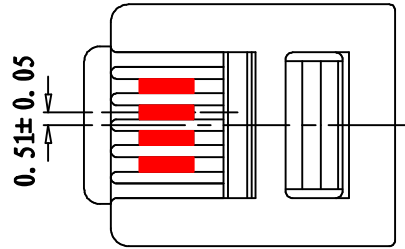
Contact us

Tel: +86-755-8981 8866 Fax: +86-755-8427 6832

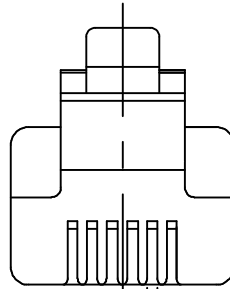
Email & Skype: info@chipsmall.com Web: www.chipsmall.com

Address: A1208, Overseas Decoration Building, #122 Zhenhua RD., Futian, Shenzhen, China

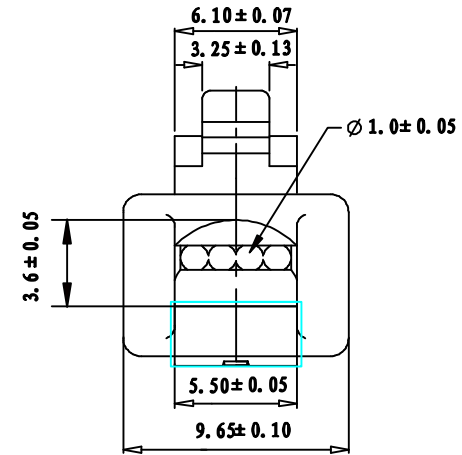
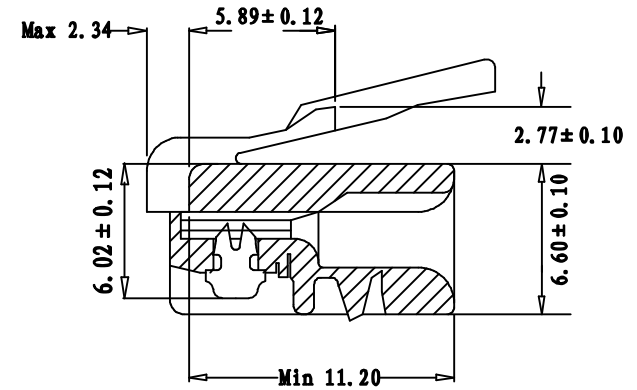




MP6P4C



0.56 ± 0.05



SPECIFICATIONS

| | |
|-----------------------|--|
| HOUSING | POLY CARBONATE (PC) UL94V2 NO. B919153 |
| CONTACT BLADE | HIGH STRENGTH COPPER ALLOY |
| MATERIAL | 100 MICRON NICKEL UNDERPLATED |
| PLATING TYPE | 8% PHOSPHOR BRONZE |
| PLATING THICKNESS: | GOLD PLATED FU* |
| OPERATING TEMP | -40° C TO 125° C |
| CURRENT RATING | 250V AC MAX AT 2A |
| DIELECTRIC | 500V AC |
| INSULATION RES | 500MEGAOHMS |
| COMPLIES WITH FCC68/F | |

"RoHS Compliance"

| REVISE | VERSION | LT# | CONTENTS |
|----------|---------|--------|-------------|
| 12-02-23 | A/0 | T0222B | NEW DRAWING |
| | | | |
| | | | |

| CnC Tech, LLC Industrial Cable and Connector Technology | | | |
|--|----------------|-------------------------|-------------|
| REV.NO: | ISSUE (A/0) | CUSTOMER:L-671 | |
| DRAWING NO: | 671-375-RU-001 | PART NO:5010-RU0064-001 | |
| ITEM NO: | MP6P4C PLUG(R) | | |
| UNIT:MM | DRAWN: | ENGINEER: | SALES DEPT: |
| DATE:12-02-23 | QA: | SALES MANAGER: | |