



Chipsmall Limited consists of a professional team with an average of over 10 year of expertise in the distribution of electronic components. Based in Hongkong, we have already established firm and mutual-benefit business relationships with customers from,Europe,America and south Asia,supplying obsolete and hard-to-find components to meet their specific needs.

With the principle of “Quality Parts,Customers Priority,Honest Operation,and Considerate Service”,our business mainly focus on the distribution of electronic components. Line cards we deal with include Microchip,ALPS,ROHM,Xilinx,Pulse,ON,Everlight and Freescale. Main products comprise IC,Modules,Potentiometer,IC Socket,Relay,Connector.Our parts cover such applications as commercial,industrial, and automotives areas.

We are looking forward to setting up business relationship with you and hope to provide you with the best service and solution. Let us make a better world for our industry!



## Contact us

Tel: +86-755-8981 8866 Fax: +86-755-8427 6832

Email & Skype: info@chipsmall.com Web: www.chipsmall.com

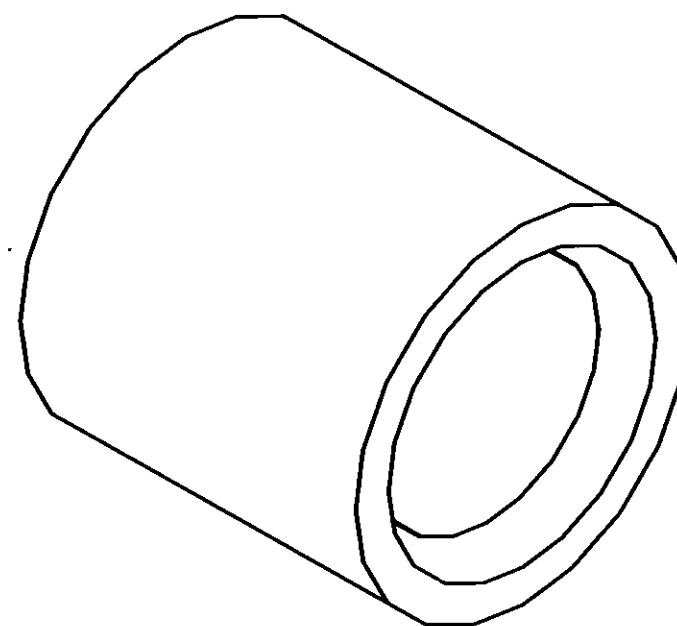
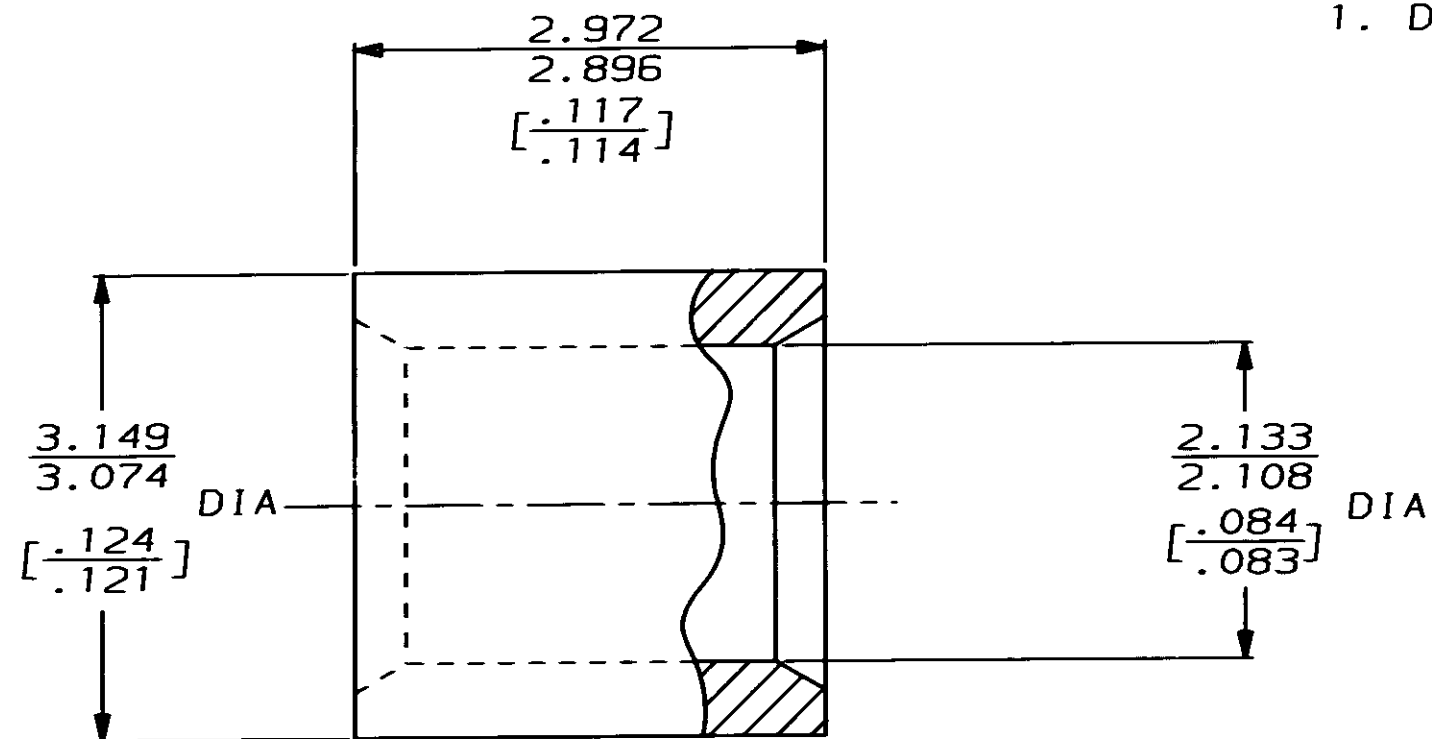
Address: A1208, Overseas Decoration Building, #122 Zhenhua RD., Futian, Shenzhen, China



THIS DRAWING IS UNPUBLISHED. RELEASED FOR PUBLICATION, 19 .  
© COPYRIGHT 19 BY AMP INCORPORATED. ALL INTERNATIONAL RIGHTS RESERVED.

LOC	DIST	P	F	ZONE	LTR	REVISIONS	DATE	APPD
CE	16				B	REV PER CE-1490		
					C	REV PER CE-2238	7-2-91	WE-RH

1. DIMENSIONS IN [ ] ARE IN INCHES



METRIC

DO NOT SCALE PRINT. UNLESS SPECIFIED DIMENSIONS IN mm TOLERANCES ON: 2 PLC DEC ± - 3 PLC DEC ± - ANGLES ± -		DR J ZIEDERS 12/20/88	501048-1	
MATERIAL ACETAL, DELRIN	CHK J GERACE 12/23/87	AMP INCORPORATED Harrisburg, Pa. 17105	PART NO	
FINISH -	APPD M BEARD 12/23/87	NAME ALIGNMENT SLEEVE, HALF, FSMA-II, OPTIMATE		
	APPD K MONROE 12/23/87	SIZE B	FSCM NO 00779	DRAWING NO 501048
	PRODUCT SPEC -	SCALE NTS	SHEET 1 OF 1	
	APPLICATION SPEC -	CUSTOMER DRAWING		
	WEIGHT -			