



Chipsmall Limited consists of a professional team with an average of over 10 year of expertise in the distribution of electronic components. Based in Hongkong, we have already established firm and mutual-benefit business relationships with customers from,Europe,America and south Asia,supplying obsolete and hard-to-find components to meet their specific needs.

With the principle of “Quality Parts,Customers Priority,Honest Operation,and Considerate Service”,our business mainly focus on the distribution of electronic components. Line cards we deal with include Microchip,ALPS,ROHM,Xilinx,Pulse,ON,Everlight and Freescale. Main products comprise IC,Modules,Potentiometer,IC Socket,Relay,Connector.Our parts cover such applications as commercial,industrial, and automotives areas.

We are looking forward to setting up business relationship with you and hope to provide you with the best service and solution. Let us make a better world for our industry!



## Contact us

Tel: +86-755-8981 8866 Fax: +86-755-8427 6832

Email & Skype: info@chipsmall.com Web: www.chipsmall.com

Address: A1208, Overseas Decoration Building, #122 Zhenhua RD., Futian, Shenzhen, China



4

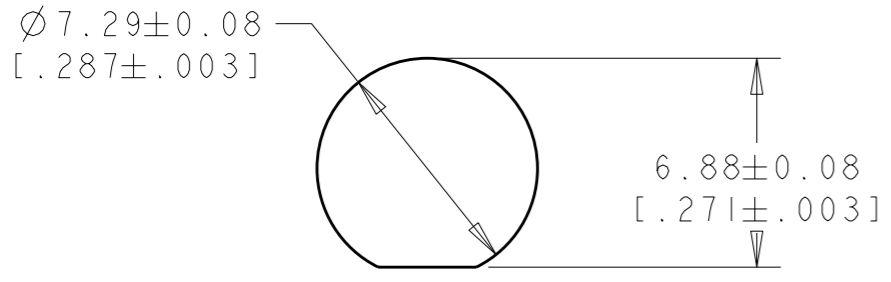
3

2

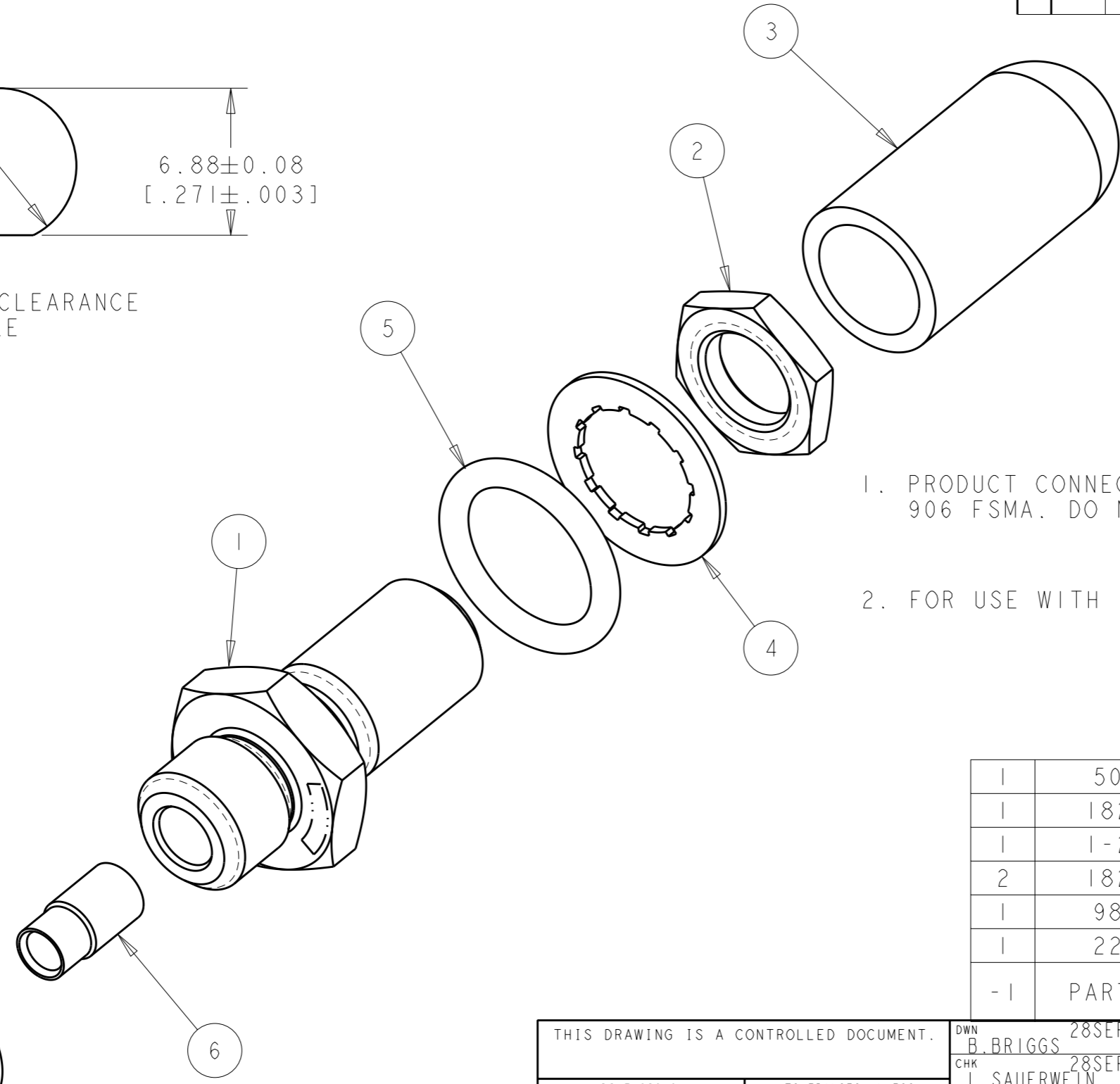
1

THIS DRAWING IS UNPUBLISHED. RELEASED FOR PUBLICATION 20  
 © COPYRIGHT 20 BY - ALL RIGHTS RESERVED.

LOC	DIST	REVISIONS			
P	LTR	DESCRIPTION	DATE	DWN	APVD
CE	00	J	REVISED PER ECR 11-022976	13NOV2011	DLF LS



SUGGESTED CLEARANCE HOLE



1. PRODUCT CONNECTS 905 FSMA TO 905 FSMA OR 906 FSMA TO 906 FSMA. DO NOT CONNECT 905 TO 906.
2. FOR USE WITH 7.0[0.281] MAXIMUM PANEL THICKNESS.

ITEM NO.	PART NUMBER	DESCRIPTION	QUANTITY
6	501047-1	ALIGNMENT SLEEVE, FULL	1
5	1828900-1	O RING SEAL	1
4	1-22145-3	LOCK WASHER	1
3	1828874-6	PROTECTIVE CAP	1
2	981155-4	JAM NUT	1
1	228053-2	COUPLING BUSHING, FSMA	1
-1	PART NUMBER	DESCRIPTION	ITEM NO.

THIS DRAWING IS A CONTROLLED DOCUMENT.		DWN B. BRIGGS 28SEP2005	TE Connectivity	
DIMENSIONS: mm [INCHES]		CHK L. SAUERWEIN 28SEP2005		
TOLERANCES UNLESS OTHERWISE SPECIFIED:		APVD S. BUCHTER 28SEP2005	NAME COUPLING BUSHING KIT, SEALED, FSMA	
0 PLC ±- 1 PLC ±- 2 PLC ±- 3 PLC ±- 4 PLC ±- ANGLES ±-		PRODUCT SPEC -	SIZE A3	
MATERIAL -		APPLICATION SPEC -	CAGE CODE 300779	DRAWING NO C-501050
FINISH -		WEIGHT -	RESTRICTED TO -	
CUSTOMER DRAWING			SCALE 4:1	SHEET 1 OF 1