



Chipsmall Limited consists of a professional team with an average of over 10 year of expertise in the distribution of electronic components. Based in Hongkong, we have already established firm and mutual-benefit business relationships with customers from,Europe,America and south Asia,supplying obsolete and hard-to-find components to meet their specific needs.

With the principle of “Quality Parts,Customers Priority,Honest Operation,and Considerate Service”,our business mainly focus on the distribution of electronic components. Line cards we deal with include Microchip,ALPS,ROHM,Xilinx,Pulse,ON,Everlight and Freescale. Main products comprise IC,Modules,Potentiometer,IC Socket,Relay,Connector.Our parts cover such applications as commercial,industrial, and automotives areas.

We are looking forward to setting up business relationship with you and hope to provide you with the best service and solution. Let us make a better world for our industry!



## Contact us

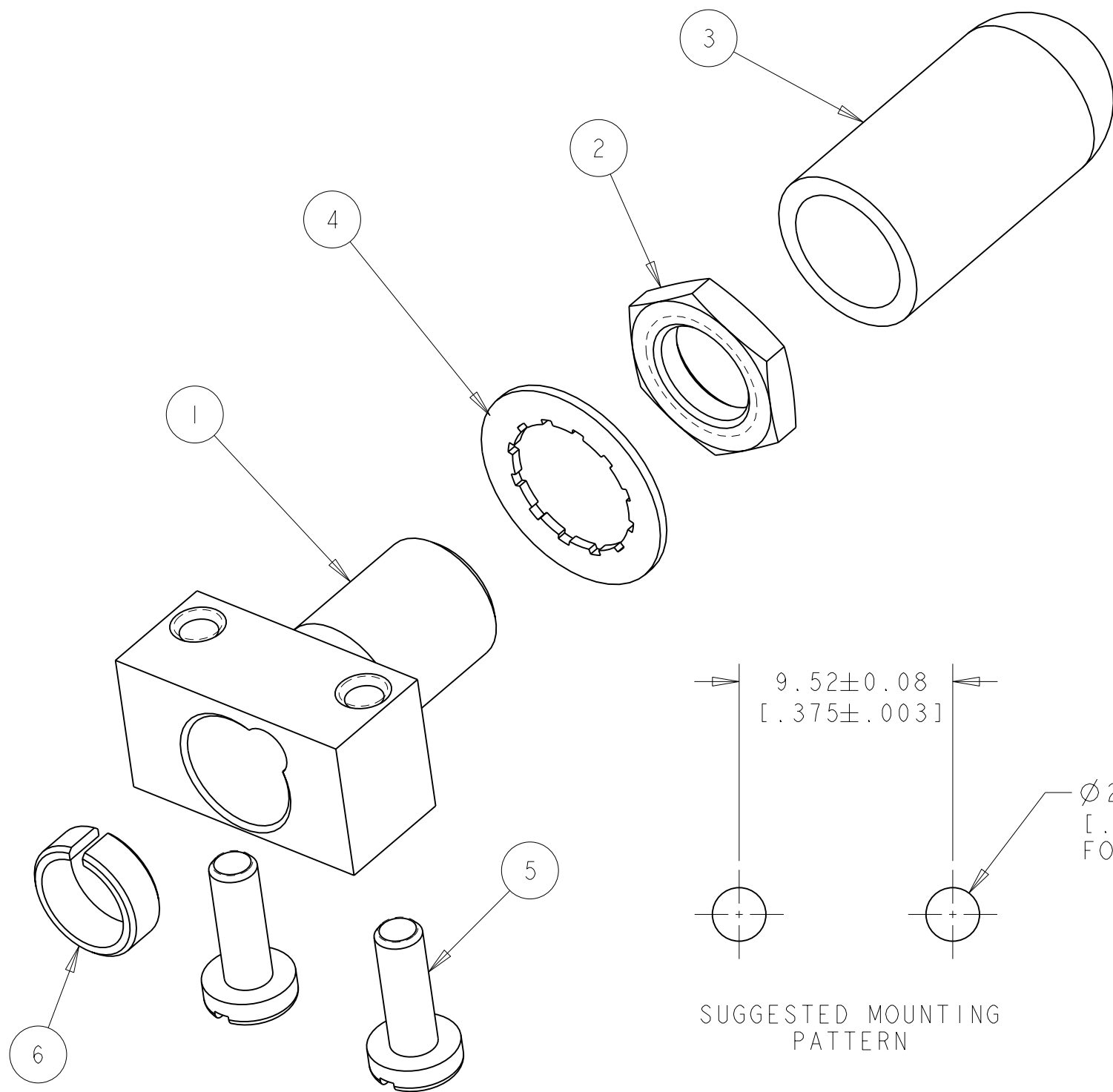
Tel: +86-755-8981 8866 Fax: +86-755-8427 6832

Email & Skype: info@chipsmall.com Web: www.chipsmall.com

Address: A1208, Overseas Decoration Building, #122 Zhenhua RD., Futian, Shenzhen, China

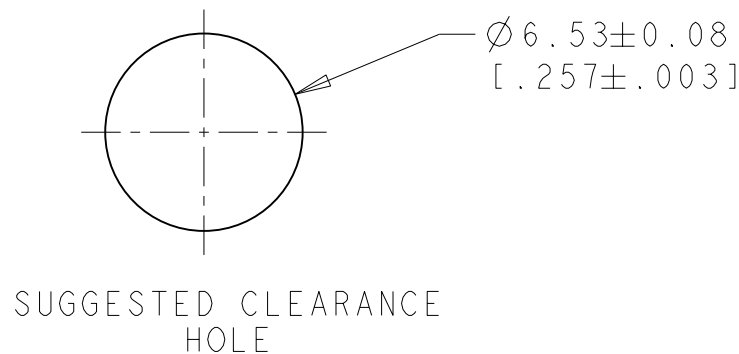


LOC	DIST	REVISIONS					
		P	LTR	DESCRIPTION	DATE	DWN	APVD
CE	00		P	REVISE PER ECR-05-009613	28SEP2005	BB	LS



- MAX. RECOMMENDED PANEL THICKNESS 1.575[.062].
  - ACCEPTS ACTIVE DEVICES: TO-18 TYPE, TO-46 TYPE, TO-52 TYPE, AND HONEYWELL LOW COST PLASTIC SWEETSPOT.
- △ 3 BULK PACKAGED.

QTY	PART NUMBER	DESCRIPTION	ITEM NO.
1	501084-1	ALIGNMENT RING	6
2	2-22798-2	#2-56 UNC-2A SCREW	5
1	1-22145-3	LOCK WASHER	4
1	1828874-6	PROTECTIVE CAP	3
1	981155-4	JAM NUT	2
1	501057-2	ACTIVE DEVICE PCB MOUNT	1
-1	PART NUMBER	DESCRIPTION	ITEM NO.



SUGGESTED MOUNTING PATTERN

THIS DRAWING IS A CONTROLLED DOCUMENT FOR TYCO ELECTRONICS CORPORATION IT IS SUBJECT TO CHANGE AND THE CONTROLLING ENGINEERING ORGANIZATION SHOULD BE CONTACTED FOR THE LATEST REVISION.

DIMENSIONS:	TOLERANCES UNLESS OTHERWISE SPECIFIED:
mm [INCHES]	
	0 PLC ±-
	1 PLC ±-
	2 PLC ±-
	3 PLC ±-
	4 PLC ±-
	ANGLES ±-
MATERIAL	FINISH

DWN B. BRIGGS	28SEP2005	Tyco Electronics Harrisburg, PA 17105-3608
CHK L. SAUERWEIN	28SEP2005	
APVD S. BUCHTER	28SEP2005	
NAME ACTIVE DEVICE MOUNT KIT, PCB AND PANEL MOUNT, FSMA		RESTRICTED TO
PRODUCT SPEC	-	SIZE
APPLICATION SPEC	-	CAGE CODE
WEIGHT	-	DRAWING NO
CUSTOMER DRAWING		A300779
SCALE		4:1
SHEET		1 OF 1
REV		P