



Chipsmall Limited consists of a professional team with an average of over 10 year of expertise in the distribution of electronic components. Based in Hongkong, we have already established firm and mutual-benefit business relationships with customers from,Europe,America and south Asia,supplying obsolete and hard-to-find components to meet their specific needs.

With the principle of "Quality Parts,Customers Priority,Honest Operation,and Considerate Service",our business mainly focus on the distribution of electronic components. Line cards we deal with include Microchip,ALPS,ROHM,Xilinx,Pulse,ON,Everlight and Freescale. Main products comprise IC,Modules,Potentiometer,IC Socket,Relay,Connector.Our parts cover such applications as commercial,industrial, and automotives areas.

We are looking forward to setting up business relationship with you and hope to provide you with the best service and solution. Let us make a better world for our industry!



Contact us

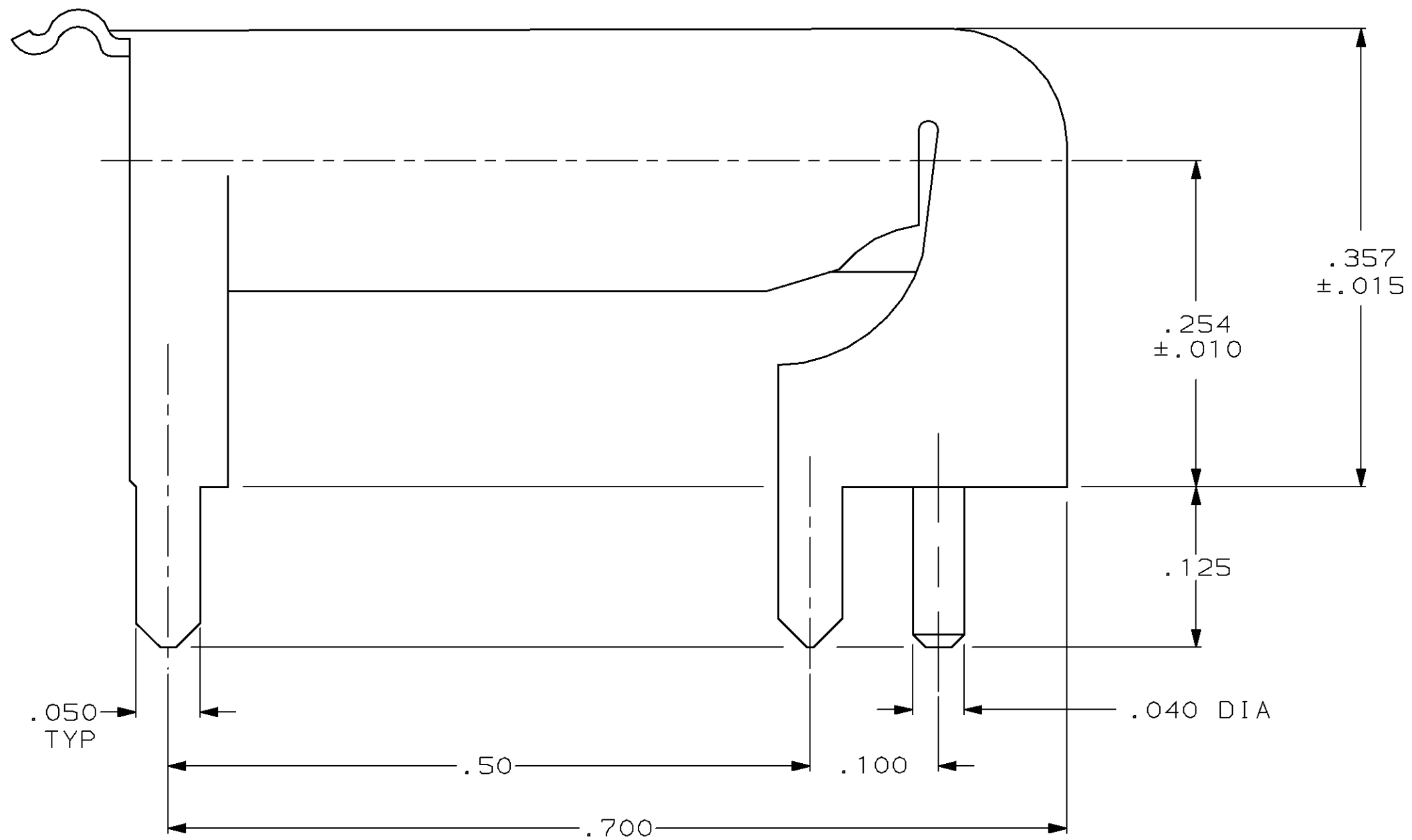
Tel: +86-755-8981 8866 Fax: +86-755-8427 6832

Email & Skype: info@chipsmall.com Web: www.chipsmall.com

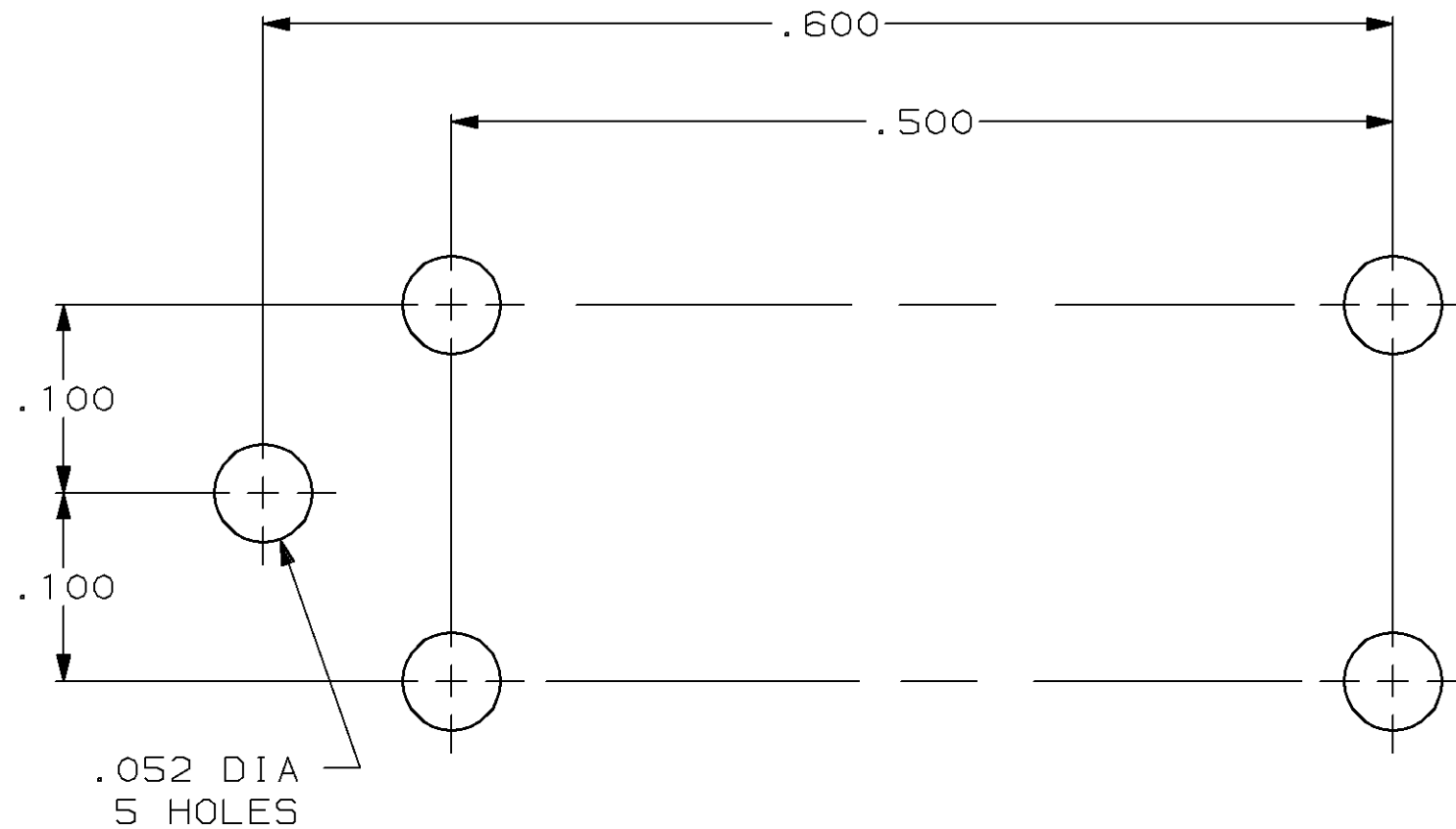
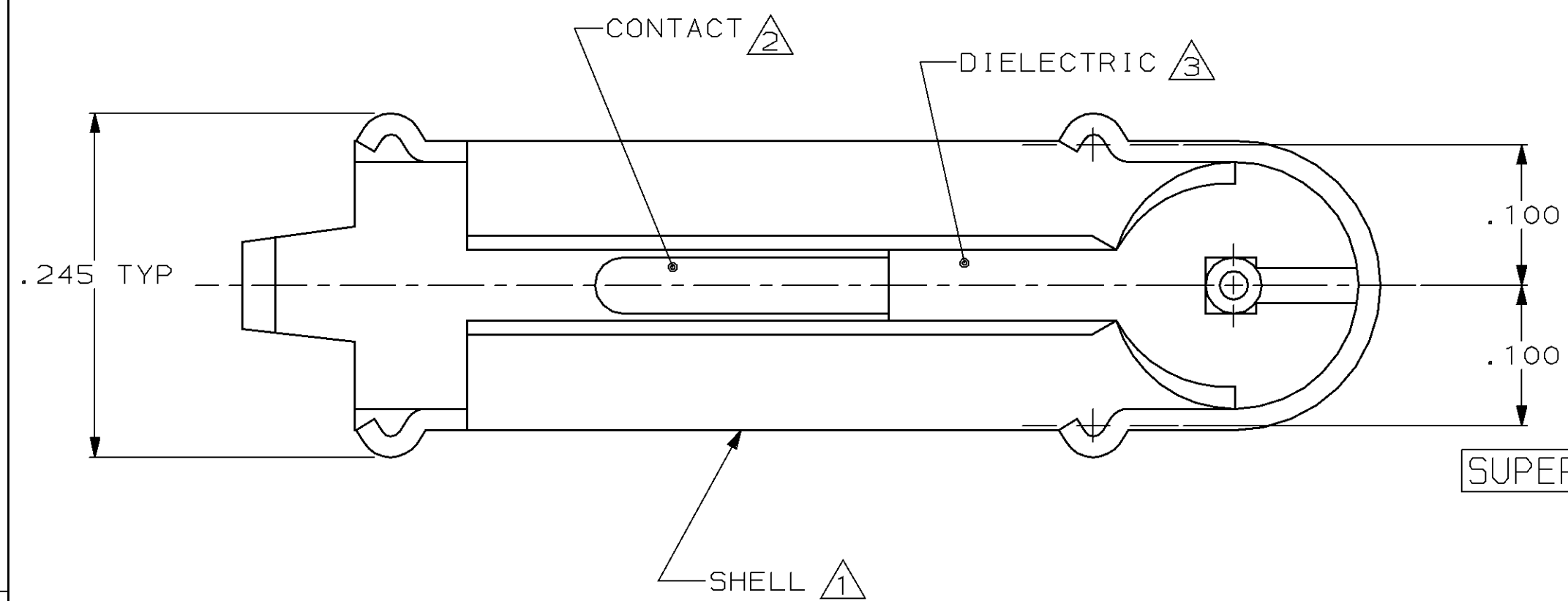
Address: A1208, Overseas Decoration Building, #122 Zhenhua RD., Futian, Shenzhen, China



LOC	DIST	P	F	REVISIONS				
				ZONE	LTR	DESCRIPTION	DATE	APPD
AJ	16	✓	✓		K	REVISED AND REDRAWN PER AJ-4040	8-29-89	JG
		✓	✓		L	OBS -2 PER AJ-3015	02/02/93	JPD
					M	SUPERCEDED -3 BY -1 PER 0220-0416-94	03/OCT/94	JPD



- ① BRASS PER MIL-C-50
- ② BRASS PER QQ-B-626
- ③ POLYPROPYLENE, GENERAL PURPOSE.
- ④ GOLD PLATE PER MIL-G-45204, .000030 MIN THK.
- ⑤ GOLD PLATE PER MIL-G-45204, .000050 MIN THK.
- ⑥ TIN-LEAD PLATE PER ASTM-B-545.
- 7. FOR USE WITH .062 MAX PRINTED CIRCUIT BOARD.
- 8. SEE I.S. 1204.



SUPERCEDED BY 50107-1	④	⑥	50107-3
OBSOLETE	⑤	⑤	50107-2
	④	④	50107-1
CONTACT FINISH		SHELL FINISH	PART NUMBER

DO NOT SCALE PRINT. UNLESS SPECIFIED DIMENSIONS IN INCHES TOLERANCES ON : 2 PLC DEC ± .01 3 PLC DEC ± .008 ANGLES ± -		DR J.L. GROFT 6-30-89	PART NO	
MATERIAL SEE NOTES 1 & 2	CHK S.J. MAGARO 9-28-89	APPD M. SNEED 1-17-90	AMP INCORPORATED Harrisburg, Pa. 17105	
FINISH SEE TABLE	APPD M. SNEED 1-17-90	PRODUCT SPEC 108-12081	NAME SOCKET, PCB, LOCKING LATCH, MINIATURE	
	APPLICATION SPEC -	SIZE C	FSCM NO 00779	DRAWING NO 50107
	WEIGHT -	SCALE 10:1	SHEET 1 OF 1	