



Chipsmall Limited consists of a professional team with an average of over 10 year of expertise in the distribution of electronic components. Based in Hongkong, we have already established firm and mutual-benefit business relationships with customers from,Europe,America and south Asia,supplying obsolete and hard-to-find components to meet their specific needs.

With the principle of "Quality Parts,Customers Priority,Honest Operation,and Considerate Service",our business mainly focus on the distribution of electronic components. Line cards we deal with include Microchip,ALPS,ROHM,Xilinx,Pulse,ON,Everlight and Freescale. Main products comprise IC,Modules,Potentiometer,IC Socket,Relay,Connector.Our parts cover such applications as commercial,industrial, and automotives areas.

We are looking forward to setting up business relationship with you and hope to provide you with the best service and solution. Let us make a better world for our industry!



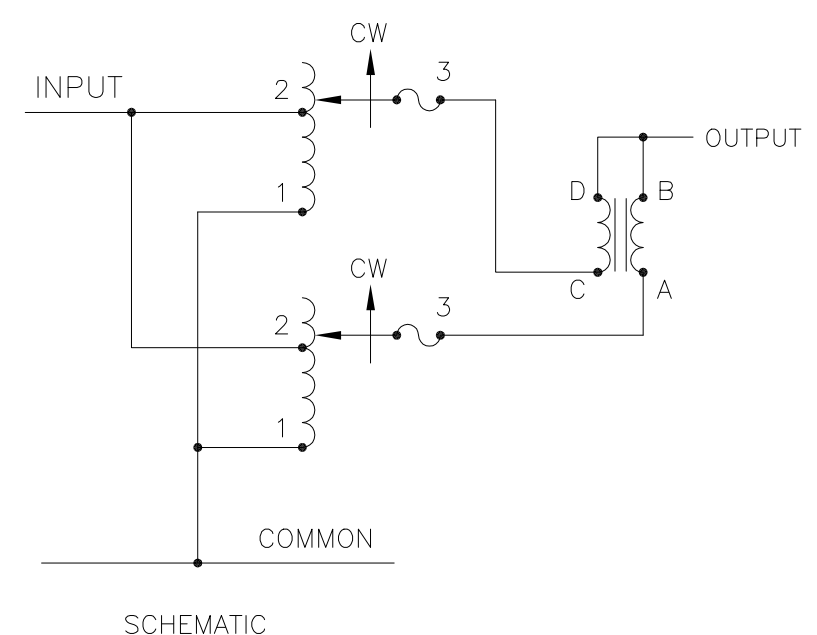
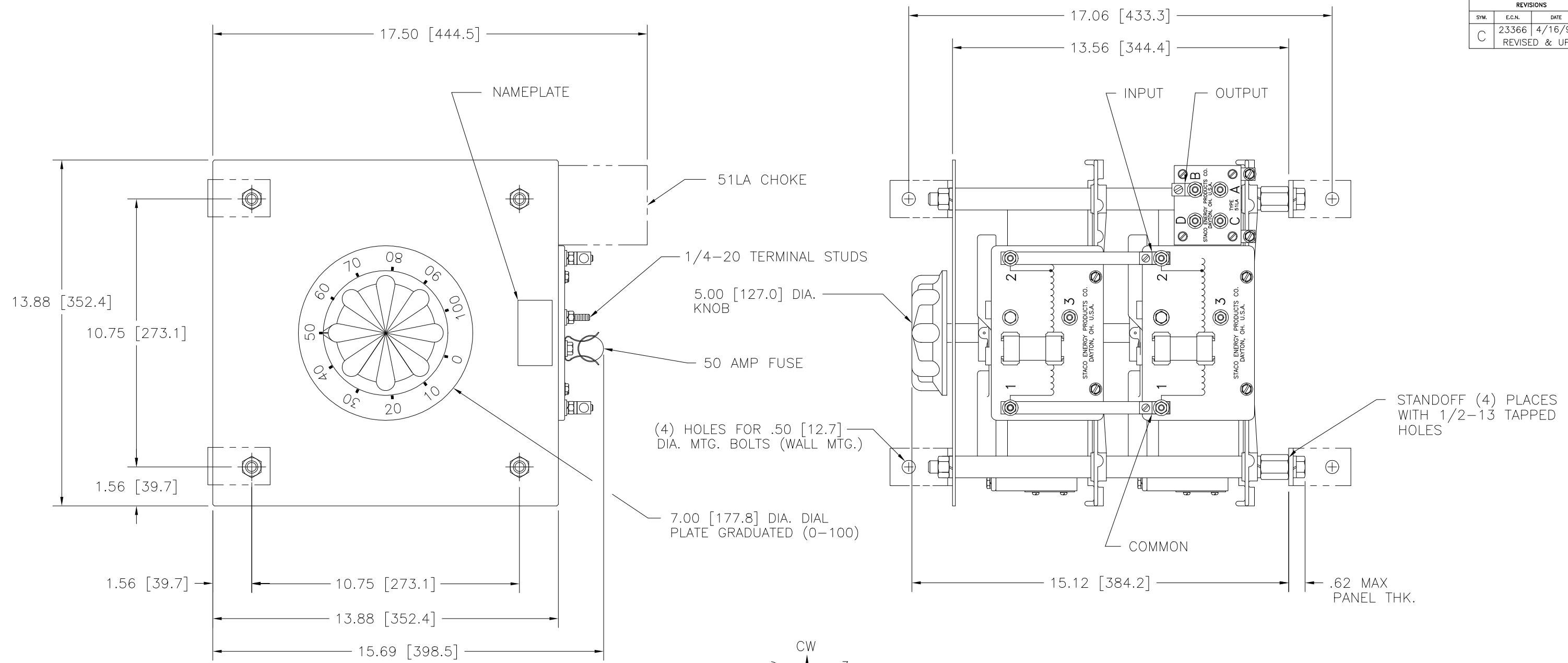
## Contact us

Tel: +86-755-8981 8866 Fax: +86-755-8427 6832

Email & Skype: info@chipsmall.com Web: www.chipsmall.com

Address: A1208, Overseas Decoration Building, #122 Zhenhua RD., Futian, Shenzhen, China





SPECIFICATIONS									
WIRING	INPUT		OUTPUT			SHAFT ROTATION TO INCREASE VOLTAGE	TERMINAL CONNECTIONS		
	VOLTS	HERTZ	VOLTS	MAX. AMPS	MAX. KVA		FOR INCREASING VOLTAGE AS VIEWED FROM ROTOR END		
SINGLE PHASE PARALLEL	120	50/60	0-140	100	14.0	CW	INPUT	JUMPER	OUTPUT
							1-2	---	1-B

UNLESS OTHERWISE SPECIFIED, TOLERANCE IS #		UNITS		TITLE: SPEC. CONTROL DRAWING	
DECIMALS	Holes	ANGLES	DRAFT	IN [mm]	
.XX	.002	1°	1-1/2°	SPEC. CONTROL DRAWING	
.XXX	.002			TYPE: 5011-2P	
MATERIAL:		ALL DIMENSIONS APPLY AFTER PLATING		DRAWN BY: TIM RAU	
DATE: 4/16/97		FIRST USED ON:		DO NOT SCALE DWG.	
CHECKER:		WEIGHT APPROX.		CUSTOMER APPROVAL:	
ENGINEER:		SCALE: .5=1		DATE:	
		SHEET 1 OF 1		DWG. NO. 031-6014	

