



Chipsmall Limited consists of a professional team with an average of over 10 year of expertise in the distribution of electronic components. Based in Hongkong, we have already established firm and mutual-benefit business relationships with customers from,Europe,America and south Asia,supplying obsolete and hard-to-find components to meet their specific needs.

With the principle of “Quality Parts,Customers Priority,Honest Operation,and Considerate Service”,our business mainly focus on the distribution of electronic components. Line cards we deal with include Microchip,ALPS,ROHM,Xilinx,Pulse,ON,Everlight and Freescale. Main products comprise IC,Modules,Potentiometer,IC Socket,Relay,Connector.Our parts cover such applications as commercial,industrial, and automotives areas.

We are looking forward to setting up business relationship with you and hope to provide you with the best service and solution. Let us make a better world for our industry!



Contact us

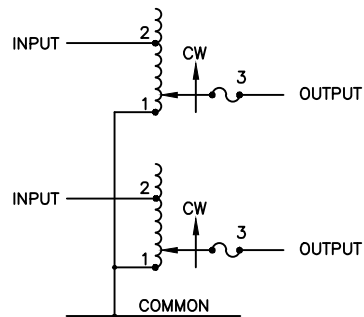
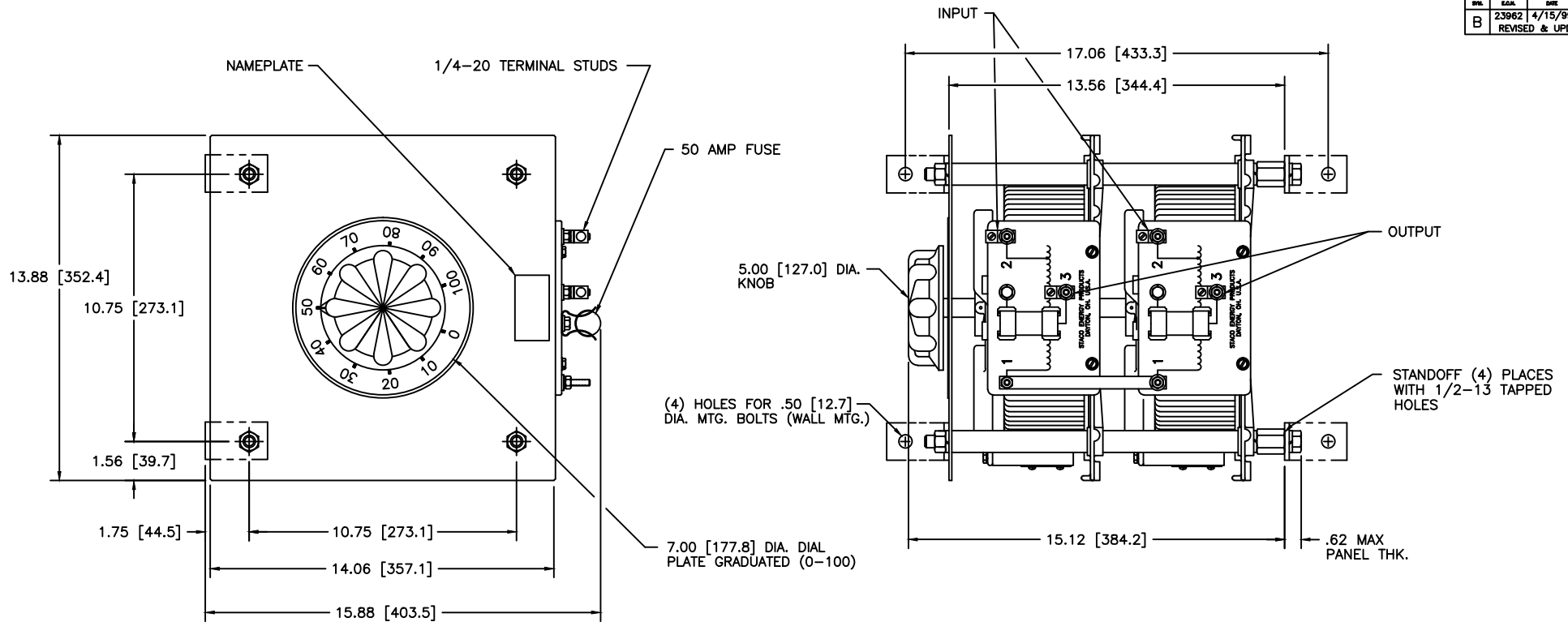
Tel: +86-755-8981 8866 Fax: +86-755-8427 6832

Email & Skype: info@chipsmall.com Web: www.chipsmall.com

Address: A1208, Overseas Decoration Building, #122 Zhenhua RD., Futian, Shenzhen, China



REV. NO.		031-6026	
REVISED			
REV.	DATE	DATE	APP.
B	2/29/92	4/15/99	
REVISED & UPDATED			



SCHEMATIC

SPECIFICATIONS								
WIRING	INPUT		OUTPUT			SHAFT ROTATION TO INCREASE VOLTAGE	TERMINAL CONNECTIONS	
	VOLTS	HERTZ	VOLTS	MAX. AMPS	MAX. KVA		FOR INCREASING VOLTAGE AS VIEWED FROM ROTOR END	
SINGLE PHASE SERIES	240	50/60	0-280	50	14.0	CW	2-2	3-3
<small>UNLESS OTHERWISE SPECIFIED, TOLERANCE IS AS SHOWN IN DIMENSIONS</small> <small>ALL DIMENSIONS ARE IN MILLIMETERS UNLESS OTHERWISE SPECIFIED</small> <small>ALL DIMENSIONS ARE IN INCHES UNLESS OTHERWISE SPECIFIED</small>							SPEC. CONTROL DRAWING VARIABLE TRANSFORMER TYPE: 5011-2S	
<small>THE INFORMATION AND DATA CONTAINED HEREIN ARE UNCLASSIFIED EXCEPT WHERE SHOWN OTHERWISE</small> <small>ALL INFORMATION CONTAINED HEREIN IS UNCLASSIFIED EXCEPT WHERE SHOWN OTHERWISE</small>		<small>DATE</small> 4/15/99	<small>REVISED ON</small> 4/15/99	<small>DO NOT SCALE DRAWING</small> 1:1	<small>COMP. NO.</small> 134	<small>DATE</small> 4/15/99	<small>REV. NO.</small> D	<small>DRW. NO.</small> 031-6026
<small>THIS DRAWING IS THE PROPERTY OF BSAICO. IT IS TO BE USED ONLY FOR THE PROJECT AND PURPOSE FOR WHICH IT WAS PREPARED. IT IS NOT TO BE REPRODUCED, COPIED, OR TRANSMITTED IN ANY FORM OR BY ANY MEANS, ELECTRONIC OR MECHANICAL, INCLUDING PHOTOCOPYING, RECORDING, OR BY ANY INFORMATION STORAGE AND RETRIEVAL SYSTEM, WITHOUT THE WRITTEN PERMISSION OF BSAICO.</small>		<small>DESIGNED BY</small> TIM RAU	<small>DATE</small> 4/15/99	<small>REVISED ON</small> 4/15/99	<small>DO NOT SCALE DRAWING</small> 1:1	<small>COMP. NO.</small> 134	<small>DATE</small> 4/15/99	<small>REV. NO.</small> D
<small>THIS DRAWING IS THE PROPERTY OF BSAICO. IT IS TO BE USED ONLY FOR THE PROJECT AND PURPOSE FOR WHICH IT WAS PREPARED. IT IS NOT TO BE REPRODUCED, COPIED, OR TRANSMITTED IN ANY FORM OR BY ANY MEANS, ELECTRONIC OR MECHANICAL, INCLUDING PHOTOCOPYING, RECORDING, OR BY ANY INFORMATION STORAGE AND RETRIEVAL SYSTEM, WITHOUT THE WRITTEN PERMISSION OF BSAICO.</small>		<small>SCALE</small> .5=1	<small>SHEET</small> 1 of 1	<small>CONTRACT APPROVAL</small> 031-6026				

