



Chipsmall Limited consists of a professional team with an average of over 10 year of expertise in the distribution of electronic components. Based in Hongkong, we have already established firm and mutual-benefit business relationships with customers from,Europe,America and south Asia,supplying obsolete and hard-to-find components to meet their specific needs.

With the principle of “Quality Parts,Customers Priority,Honest Operation,and Considerate Service”,our business mainly focus on the distribution of electronic components. Line cards we deal with include Microchip,ALPS,ROHM,Xilinx,Pulse,ON,Everlight and Freescale. Main products comprise IC,Modules,Potentiometer,IC Socket,Relay,Connector.Our parts cover such applications as commercial,industrial, and automotives areas.

We are looking forward to setting up business relationship with you and hope to provide you with the best service and solution. Let us make a better world for our industry!



## Contact us

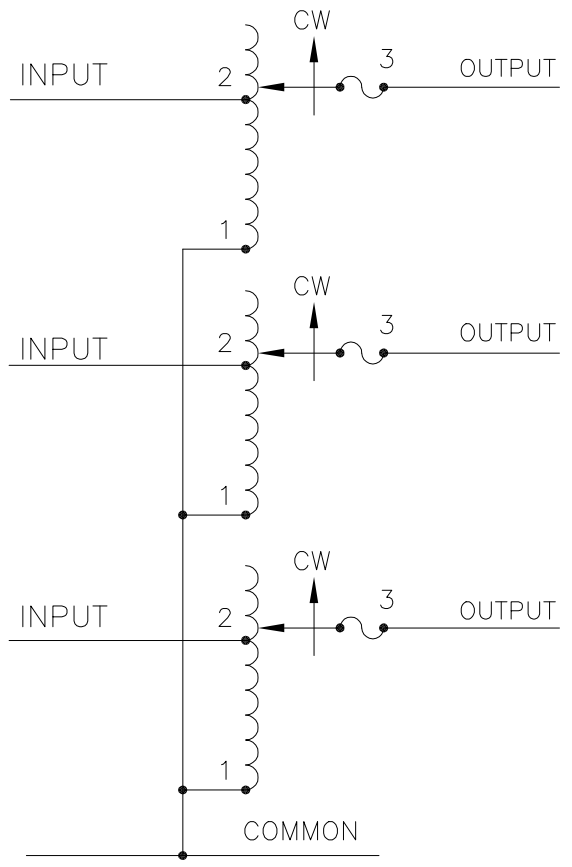
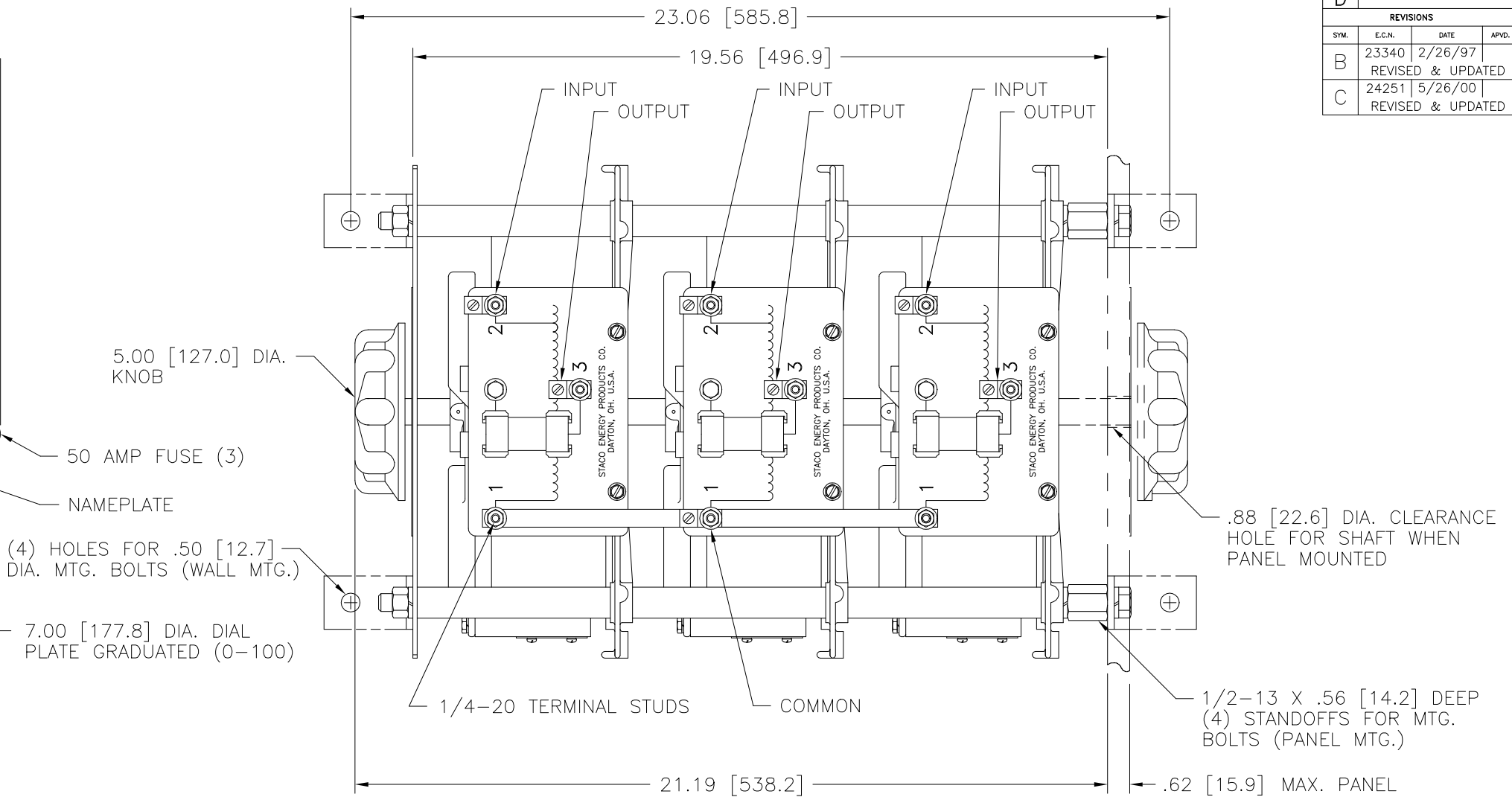
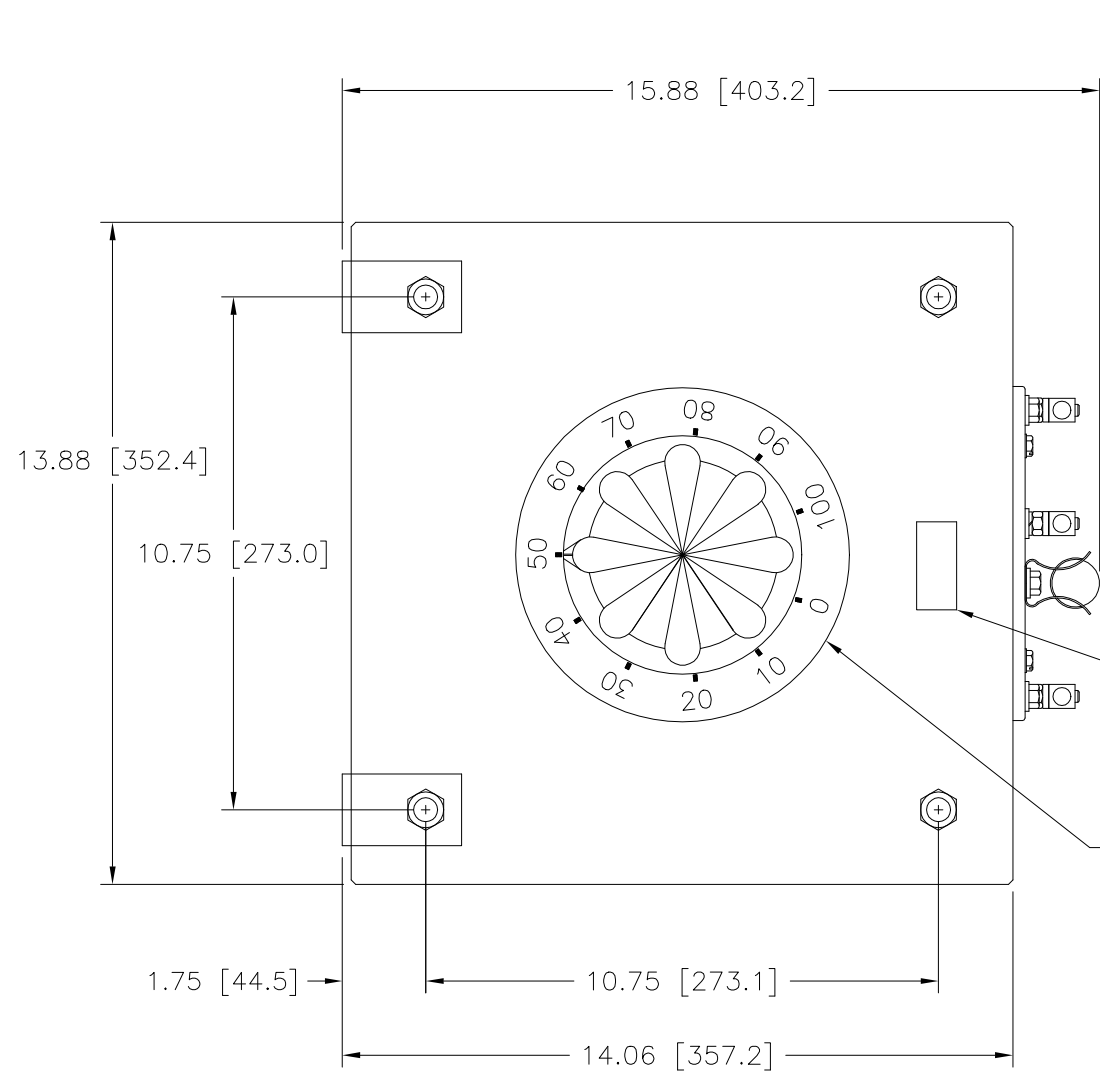
Tel: +86-755-8981 8866 Fax: +86-755-8427 6832

Email & Skype: info@chipsmall.com Web: www.chipsmall.com

Address: A1208, Overseas Decoration Building, #122 Zhenhua RD., Futian, Shenzhen, China



DWG. NO.	031-6738		
REVISIONS			
SYM.	E.C.N.	DATE	APVD.
B	23340	2/26/97	
REVISED & UPDATED			
C	24251	5/26/00	
REVISED & UPDATED			



SPECIFICATIONS									
WIRING	INPUT		OUTPUT			SHAFT ROTATION TO INCREASE VOLTAGE	TERMINAL CONNECTIONS		
	VOLTS	HERTZ	VOLTS	MAX. AMPS	MAX. KVA		FOR INCREASING VOLTAGE AS VIEWED FROM ROTOR END		
THREE PHASE WYE	240	60	0-280	50	24.2	CW	INPUT	JUMPER	OUTPUT
							2-2-2	---	3-3-3

UNLESS OTHERWISE SPECIFIED, TOLERANCE IS #	UNITS	TITLE:																														
DECIMALS .005	IN [mm]	SPEC. CONTROL DRAWING																														
Holes .002		VARIABLE TRANSFORMER																														
ANGLES 1°		TYPE: 5011-3Y																														
DRAFT 1-1/2°																																
MATERIAL:	ALL DIMENSIONS APPLY AFTER PLATING																															
<table border="1"> <tr> <td>DRAWN BY</td> <td>DATE</td> <td>FIRST USED ON</td> <td>DO NOT SCALE DWG.</td> <td>CUSTOMER APPROVAL</td> <td>DATE</td> </tr> <tr> <td>TIM RAU</td> <td>2/25/97</td> <td></td> <td></td> <td></td> <td></td> </tr> <tr> <td>CHECKER</td> <td>DATE</td> <td>WEIGHT APPROX.</td> <td>CODE IDENT. NO.</td> <td>DWG. NO.</td> <td></td> </tr> <tr> <td></td> <td></td> <td></td> <td>83008</td> <td>D</td> <td>031-6738</td> </tr> <tr> <td>ENGINEER</td> <td>DATE</td> <td>SCALE</td> <td>.50=1</td> <td>SHEET 1 OF 1</td> <td></td> </tr> </table>			DRAWN BY	DATE	FIRST USED ON	DO NOT SCALE DWG.	CUSTOMER APPROVAL	DATE	TIM RAU	2/25/97					CHECKER	DATE	WEIGHT APPROX.	CODE IDENT. NO.	DWG. NO.					83008	D	031-6738	ENGINEER	DATE	SCALE	.50=1	SHEET 1 OF 1	
DRAWN BY	DATE	FIRST USED ON	DO NOT SCALE DWG.	CUSTOMER APPROVAL	DATE																											
TIM RAU	2/25/97																															
CHECKER	DATE	WEIGHT APPROX.	CODE IDENT. NO.	DWG. NO.																												
			83008	D	031-6738																											
ENGINEER	DATE	SCALE	.50=1	SHEET 1 OF 1																												

