



Chipsmall Limited consists of a professional team with an average of over 10 year of expertise in the distribution of electronic components. Based in Hongkong, we have already established firm and mutual-benefit business relationships with customers from,Europe,America and south Asia,supplying obsolete and hard-to-find components to meet their specific needs.

With the principle of “Quality Parts,Customers Priority,Honest Operation,and Considerate Service”,our business mainly focus on the distribution of electronic components. Line cards we deal with include Microchip,ALPS,ROHM,Xilinx,Pulse,ON,Everlight and Freescale. Main products comprise IC,Modules,Potentiometer,IC Socket,Relay,Connector.Our parts cover such applications as commercial,industrial, and automotives areas.

We are looking forward to setting up business relationship with you and hope to provide you with the best service and solution. Let us make a better world for our industry!



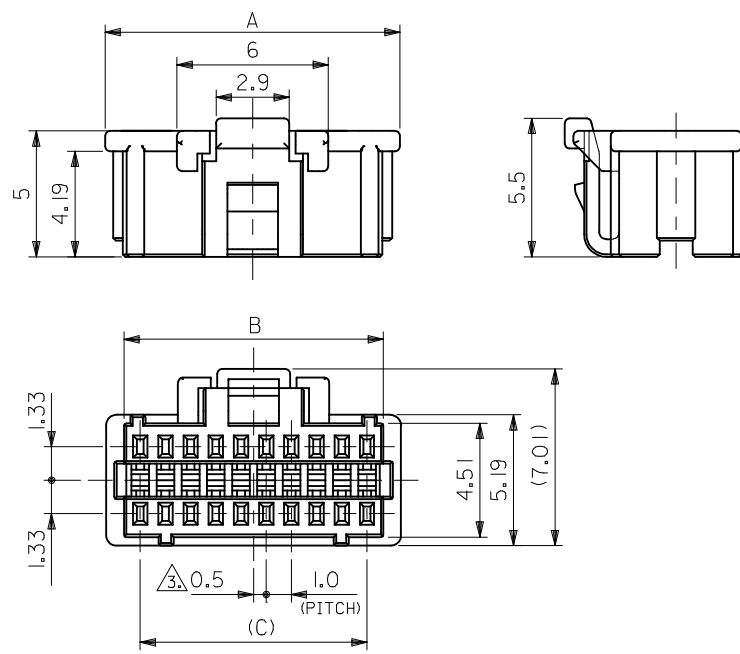
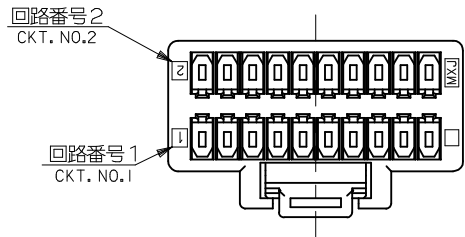
## Contact us

Tel: +86-755-8981 8866 Fax: +86-755-8427 6832

Email & Skype: info@chipsmall.com Web: www.chipsmall.com

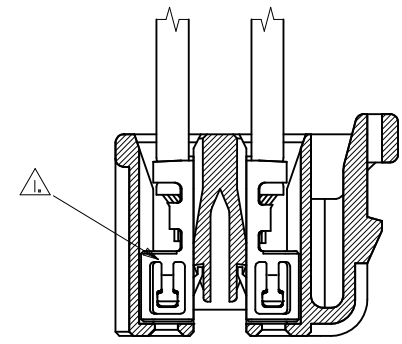
Address: A1208, Overseas Decoration Building, #122 Zhenhua RD., Futian, Shenzhen, China





NOTES.

1. 適合ターミナル : 501193-\*\*\*\*  
APPLICABLE TERMINAL : 501193-\*\*\*\*
2. 嵌合相手 : 501190-\*\*\*\* , 501571-\*\*\*\*  
MATE WITH : 501190-\*\*\*\* , 501571-\*\*\*\*
3. 極数 / 2 = 偶数に適用。  
APPLY FOR CIRCUIT SIZE / 2 = EVEN
4. 材料  
MATERIAL  
66ナイロン、ガラス無充填、UL94V-0  
PA66 , GLASS FILLED 0% , UL94V-0
5. ELV 及び RoHS 適合品  
ELV AND RoHS COMPLIANT.



ターミナル装着図  
TERMINAL ASSEMBLY DRAWING

24	25.3	26.7	501189-501*	50
19	20.3	21.7	501189-401*	40
14	15.3	16.7	501189-301*	30
9	10.3	11.7	501189-201*	20
C	B	A	ポリ袋 POLYBAG PACKAGE オーダー番号 ORDER NO.	CKT.

REVISED EC NO: J2013-1460 DRWN: KWASHIO 2013/06/11 CHKD: KASAKAWA 2013/06/12 APPR: NUKITA 2013/06/12	GENERAL TOLERANCES (UNLESS SPECIFIED)		DIMENSION STYLE MM ONLY		SCALE 5:1	DESIGN UNITS METRIC	THIRD ANGLE PROJECTION
	10 UNDER	±0.2	DRAWN BY NYOSHIDA	DATE 2004/12/17	TITLE 1.0 WIRE TO BOARD CONN. 2-ROW RECEPTACLE HOUSING		
	10 OVER 30 UNDER	±0.25	CHECKED BY MYAGI	DATE 2004/12/17			
	30 OVER	±0.3	APPROVED BY ANODA	DATE 2004/12/17			
ANGULAR	±3 °	MATERIAL NO. SEE SHEET 2		DOCUMENT NO. SD-501189-002	SHEET NO. 1 OF 2		
DRAFT WHERE APPLICABLE MUST REMAIN WITHIN DIMENSIONS		THIS DRAWING CONTAINS INFORMATION THAT IS PROPRIETARY TO MOLEX INCORPORATED AND SHOULD NOT BE USED WITHOUT WRITTEN PERMISSION					

10 9 8 7 6 5 4 3 2 1

F

F

E

E

D

D

C

C


B

B

A

A

緑 GREEN	青 BLUE	赤 RED	黒 BLACK	白 WHITE	色 COLOR
—//—	—//—	—//—	—//—	501189-5010	50
501189-4016	501189-4014	501189-4012	501189-4011	501189-4010	40
501189-3016	501189-3014	501189-3012	501189-3011	501189-3010	30
501189-2016	501189-2014	501189-2012	501189-2011	501189-2010	20
ポリ袋 POLYBAG PACKAGE					CKT.
オーダー番号 ORDER NO.					

SEE SHEET 1 EC NO.: J2013-1460 DRWN: KWASHIO 2013/06/11 CHKD: KASAKAWA 2013/06/12 APPR: NUKITA 2013/06/12	GENERAL TOLERANCES (UNLESS SPECIFIED)		DIMENSION STYLE <b>MM ONLY</b>		SCALE <b>5:1</b>	DESIGN UNITS <b>METRIC</b>	THIRD ANGLE PROJECTION
	10 UNDER	±0.2	DRAWN BY NYOSHIDA	DATE 2004/12/17	TITLE <b>1.0 WIRE TO BOARD CONN. 2-ROW RECEPTACLE HOUSING</b>		
	10 OVER 30 UNDER	±0.25	CHECKED BY MYAGI	DATE 2004/12/17			
	30 OVER	±0.3	APPROVED BY ANODA	DATE 2004/12/17	 DOCUMENT NO. <b>SD-501189-002</b>		
ANGULAR ±3 °		MATERIAL NO. <b>SEE CHART</b>		SHEET NO. <b>2 OF 2</b>			
DRAFT WHERE APPLICABLE MUST REMAIN WITHIN DIMENSIONS		THIS DRAWING CONTAINS INFORMATION THAT IS PROPRIETARY TO MOLEX INCORPORATED AND SHOULD NOT BE USED WITHOUT WRITTEN PERMISSION					

9 8 7 6 5 4 3 2