



Chipsmall Limited consists of a professional team with an average of over 10 year of expertise in the distribution of electronic components. Based in Hongkong, we have already established firm and mutual-benefit business relationships with customers from,Europe,America and south Asia,supplying obsolete and hard-to-find components to meet their specific needs.

With the principle of “Quality Parts,Customers Priority,Honest Operation,and Considerate Service”,our business mainly focus on the distribution of electronic components. Line cards we deal with include Microchip,ALPS,ROHM,Xilinx,Pulse,ON,Everlight and Freescale. Main products comprise IC,Modules,Potentiometer,IC Socket,Relay,Connector.Our parts cover such applications as commercial,industrial, and automotives areas.

We are looking forward to setting up business relationship with you and hope to provide you with the best service and solution. Let us make a better world for our industry!



Contact us

Tel: +86-755-8981 8866 Fax: +86-755-8427 6832

Email & Skype: info@chipsmall.com Web: www.chipsmall.com

Address: A1208, Overseas Decoration Building, #122 Zhenhua RD., Futian, Shenzhen, China



THIS DRAWING IS UNPUBLISHED. RELEASED FOR PUBLICATION, 19 .
 © COPYRIGHT 19 BY AMP INCORPORATED. ALL RIGHTS RESERVED.


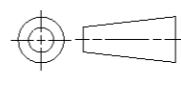
LOC	DIST	REVISIONS					
		P	LTR	DESCRIPTION	DATE	DWN	APVD
CE	16		E	REVISED PER 0A00-0067-00	08FEB2001	TA	SB

△1 COLOR LISTED IS AFTER CURE.

OBSOLETE	MANUFACTURING AND FIELD USE	ALL	15MIN 100C	2 HR	AMBER	25 2GR PKS	250	501195-7
OBSOLETE	FIELD USE OR WHEN A FAST CURE AT ROOM TEMP REQUIRED	FSMA	45MIN 25C	2 MIN	STRAW	25 2GR PKS	125	501195-6
OBSOLETE	FOR USE IN HIGH TEMP ENVIRONMENT	FSMA	15MIN 100C	40 MIN	AMBER	25 2GR PKS	250	501195-5
	MANUFACTURING AND FIELD USE	FSD, RSD, ST STYLE, FSMA	24HR 25C OR 2HR 65C	30 MIN	BLUE	25 2GR PKS	250	501195-4
OBSOLETE	FIELD USE OR WHEN A FAST CURE AT ROOM TEMP REQUIRED	FSMA	45MIN 25C	2 MIN	STRAW	10 2GR PKS	50	501195-3
OBSOLETE	FOR USE IN HIGH TEMP ENVIRONMENT	FSMA	15MIN 100C	40 MIN	AMBER	25 7GR PKS	500	501195-2
OBSOLETE	MANUFACTURING AND FIELD USE	FSD, RSD, ST STYLE, FSMA	24HR 25C OR 2HR 65C	30 MIN	BLUE	25 7GR PKS	500	501195-1
	APPLICATION	CONNECTOR TYPE	CURE TIME	POT LIFE	△1 COLOR	NO. OF PACKS WT. PER PACK	APPROX # OF CONNECTORS PER BOX	PART NUMBER

501195

B

<small>THIS DRAWING IS A CONTROLLED DOCUMENT FOR AMP INCORPORATED. IT IS SUBJECT TO CHANGE AND THE CONTROLLING ENGINEERING ORGANIZATION SHOULD BE CONTACTED FOR THE LATEST REVISION.</small>		DWN	S.URICH	30NOV95	 AMP Incorporated Harrisburg, PA 17105-3608
DIMENSIONS:		CHK	R.RENN	30NOV95	
mm		APVD	N.MILLER	30NOV95	
		PRODUCT SPEC			
TOLERANCES UNLESS OTHERWISE SPECIFIED:		APPLICATION SPEC			
0 PLC ±-		WEIGHT			
1 PLC ±-		CUSTOMER DRAWING			
2 PLC ±-		SCALE	1:1	SHEET	1 OF 1
3 PLC ±-		REV	E		
4 PLC ±-					
ANGLES ±-					
FINISH -					

ADHESIVE, EPOXY

A2 00779 C-501195