



Chipsmall Limited consists of a professional team with an average of over 10 year of expertise in the distribution of electronic components. Based in Hongkong, we have already established firm and mutual-benefit business relationships with customers from,Europe,America and south Asia,supplying obsolete and hard-to-find components to meet their specific needs.

With the principle of “Quality Parts,Customers Priority,Honest Operation,and Considerate Service”,our business mainly focus on the distribution of electronic components. Line cards we deal with include Microchip,ALPS,ROHM,Xilinx,Pulse,ON,Everlight and Freescale. Main products comprise IC,Modules,Potentiometer,IC Socket,Relay,Connector.Our parts cover such applications as commercial,industrial, and automotives areas.

We are looking forward to setting up business relationship with you and hope to provide you with the best service and solution. Let us make a better world for our industry!



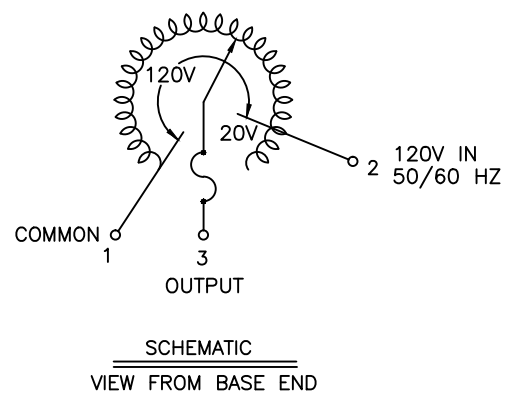
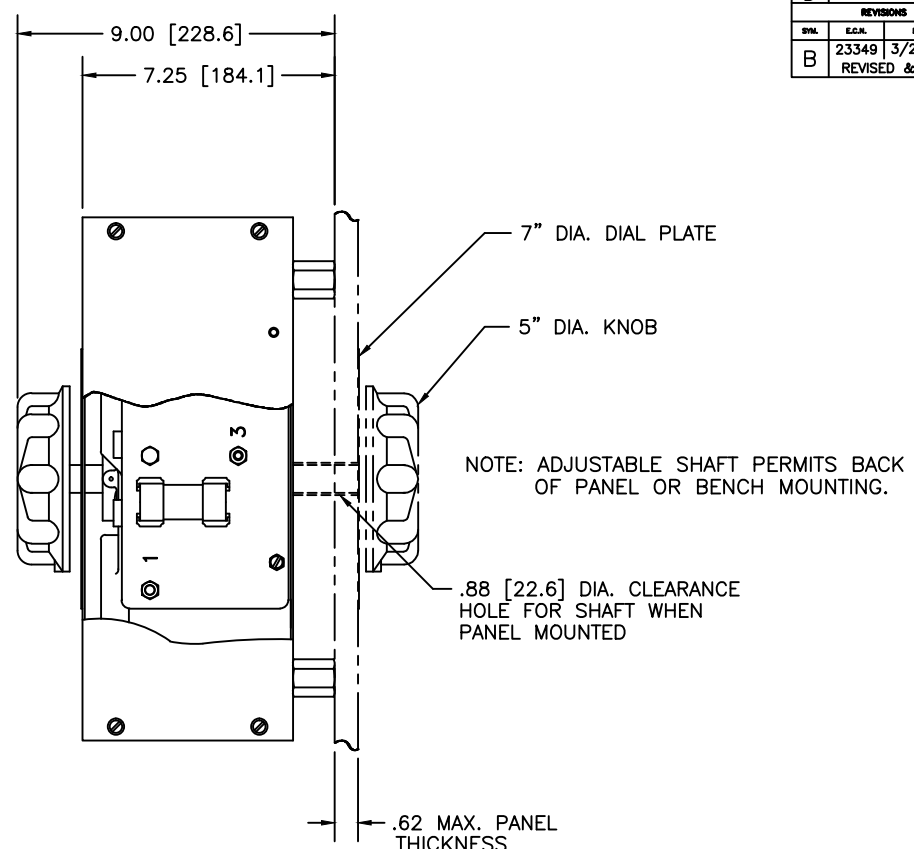
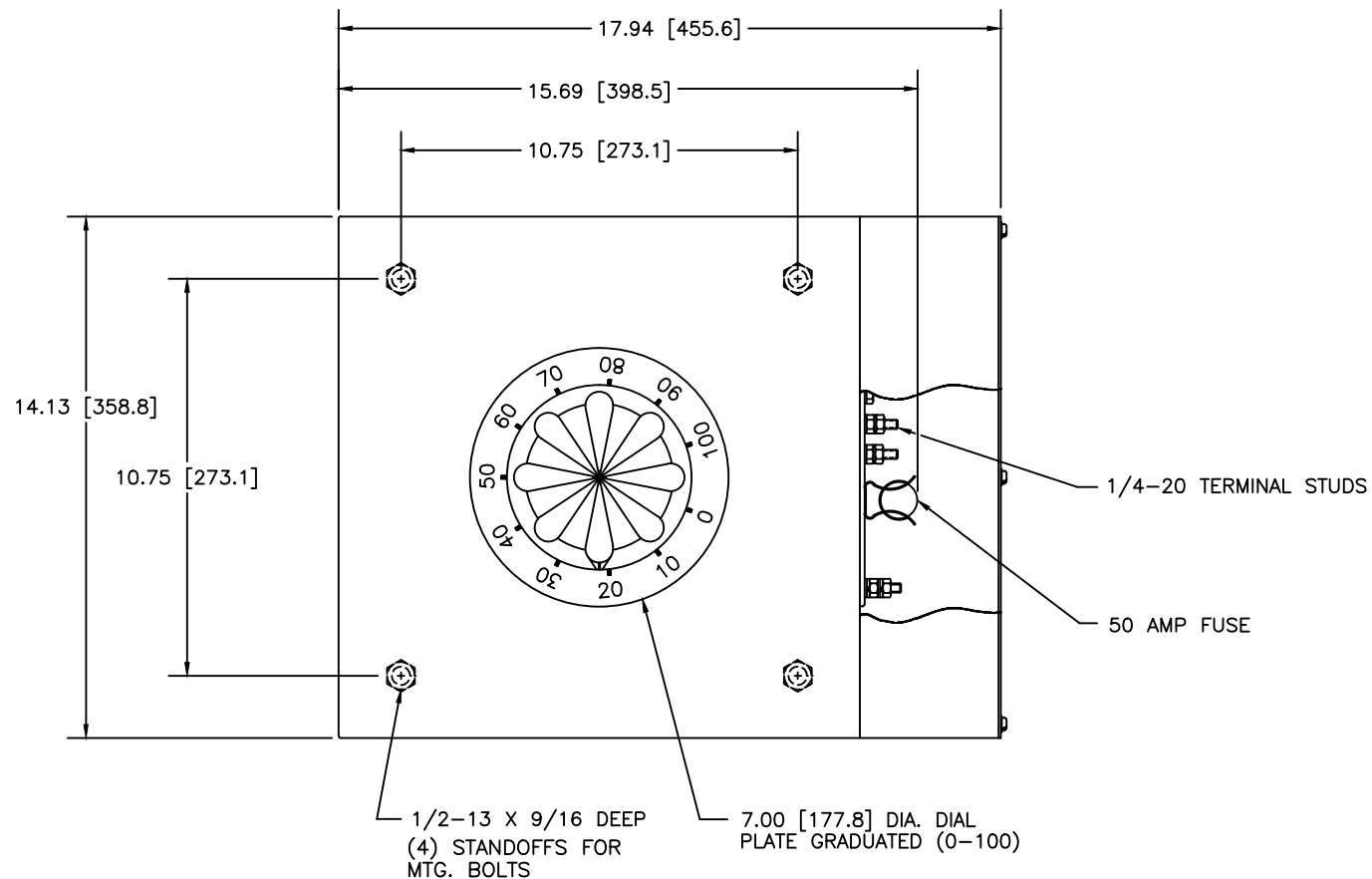
Contact us

Tel: +86-755-8981 8866 Fax: +86-755-8427 6832

Email & Skype: info@chipsmall.com Web: www.chipsmall.com

Address: A1208, Overseas Decoration Building, #122 Zhenhua RD., Futian, Shenzhen, China





SPECIFICATIONS								
WIRING	INPUT		OUTPUT			SHAFT ROTATION FOR INCREASE VOLTAGE	TERMINAL CONNECTIONS	
	VOLTS	HERTZ	VOLTS	MAX. AMPS	MAX. KVA		FOR INCREASING VOLTAGE AS VIEWED FROM ROTOR END	
SINGLE PHASE	120	50/60	0-140	50	7.0	CW	INPUT	OUTPUT
							1-2	1-3

UNLESS OTHERWISE SPECIFIED, TOLERANCE IS: DECIMALS .005 FRACTIONS 1/32 HOLES .005 ANGLES 15° DRAFT 1-1/2°	UNITS IN [mm]	TITLE: SPEC. CONTROL DRAWING VARIABLE TRANSFORMER TYPE: 5011CT	STACO ENERGY PRODUCTS CO. A COMPANY OF AMERICA ENERGY DAYTON, OHIO U.S.A.
MATERIAL:	ALL DIMENSIONS APPLY AFTER PLATING	DRWN BY: TIM RAU DATE: 3/24/97	CUSTOMER APPROVAL: _____ DATE: _____
The information and design disclosed herein was originated by and is the property of STACO ENERGY PRODUCTS CO., which reserves all patent, proprietary, design, manufacturing, reproduction, use and sale rights therein, and to any articles disclosed therein, except to the extent rights are expressly granted to others. The foregoing does not apply to vendor proprietary parts.		CHECKER: _____ DATE: _____ ENGINEER: _____ DATE: _____	WEIGHT APPROX. 57 LBS. SCALE .5=1 SHEET 1 OF 1