



Chipsmall Limited consists of a professional team with an average of over 10 year of expertise in the distribution of electronic components. Based in Hongkong, we have already established firm and mutual-benefit business relationships with customers from,Europe,America and south Asia,supplying obsolete and hard-to-find components to meet their specific needs.

With the principle of “Quality Parts,Customers Priority,Honest Operation,and Considerate Service”,our business mainly focus on the distribution of electronic components. Line cards we deal with include Microchip,ALPS,ROHM,Xilinx,Pulse,ON,Everlight and Freescale. Main products comprise IC,Modules,Potentiometer,IC Socket,Relay,Connector.Our parts cover such applications as commercial,industrial, and automotives areas.

We are looking forward to setting up business relationship with you and hope to provide you with the best service and solution. Let us make a better world for our industry!



## Contact us

Tel: +86-755-8981 8866 Fax: +86-755-8427 6832

Email & Skype: info@chipsmall.com Web: www.chipsmall.com

Address: A1208, Overseas Decoration Building, #122 Zhenhua RD., Futian, Shenzhen, China



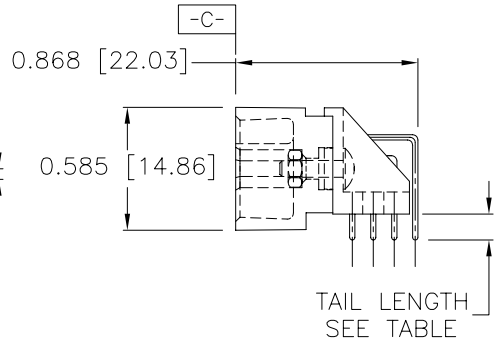
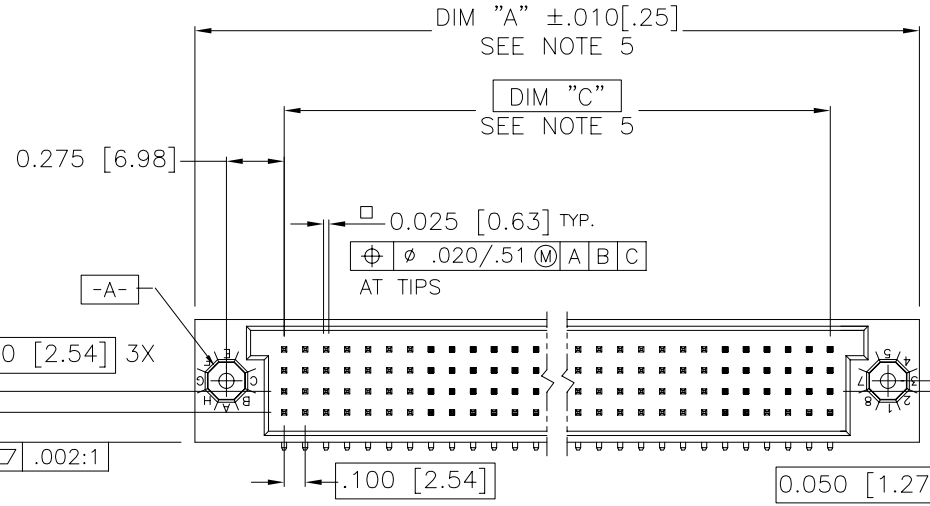
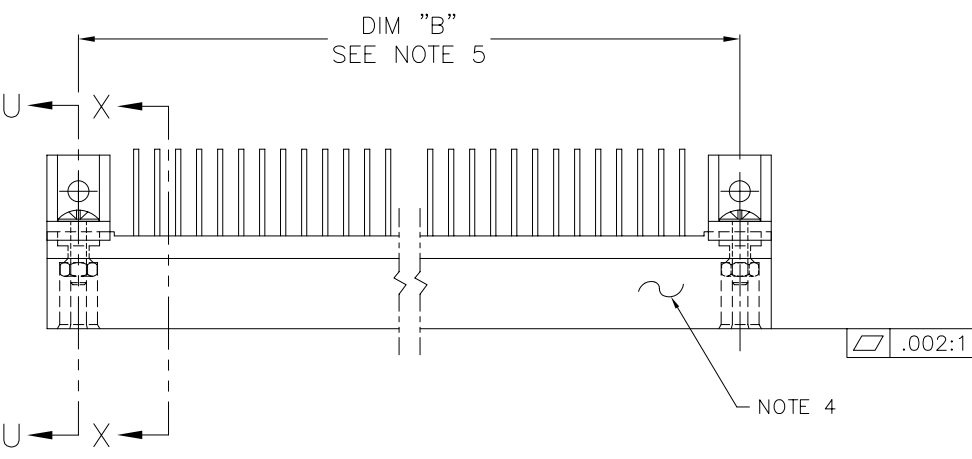


FCIconnect.com

Copyright FCI

PRODUCT NUMBER  
SEE TABLE

1 2 3 4 5 6

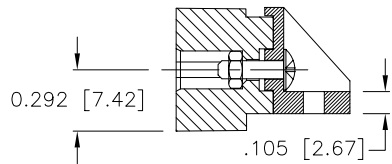


mat'l. code SEE NOTE 3		surface ISO 1302 <input checked="" type="checkbox"/>		tolerance ISO 406 ISO 1101		projection 		product family HPC	
ltr J		ecm no dr v90523 HTB		date 3/1/99		tolerances unless otherwise specified angles linear .XX $\pm$ .01/.3		title 4 ROW R/A HEADER SOLDER TO BOARD, 0 G.P.	
K		v00262 JWS		1/26/00		.XXX $\pm$ .005/.13		INCH/MM	
L		v05-0740 DAI		10/7/05		0'±2'		.XXXX $\pm$ .0020/.051	
M		v05-1040 HTB		11/14/05 dr		D.SHEAFFER		6/5/91	
N		M06-0283 MHT		7/27/06 engr		S.CLARK		6/5/91	
						chr		S.CLARK 6/5/91	
						appd		S.CLARK 6/5/91	
sheet index		revision sheet		N N N		N N N		scale 1:1	
		1 2 3						FCI	
								dwg no 50122	
								sheet 1 of 3 size A3	
								type Product Customer Drawing	

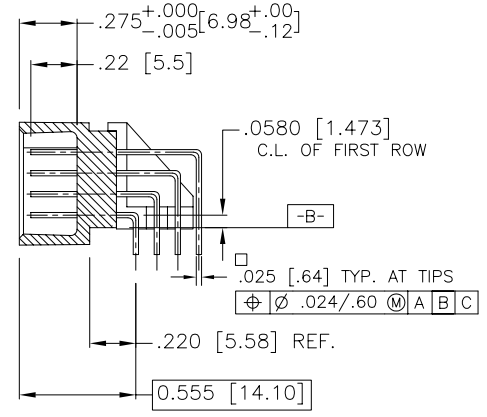
form: A3

1 2 3 4 5 6

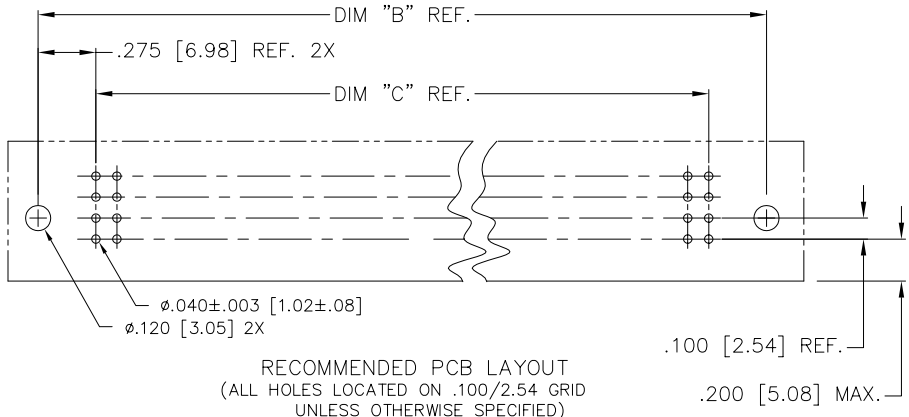
PRODUCT NO.  
SEE TABLE



SECTION U-U



SECTION X-X



RECOMMENDED PCB LAYOUT  
(ALL HOLES LOCATED ON .100/2.54 GRID  
UNLESS OTHERWISE SPECIFIED)



Copyright FCI

mat'l. code SEE NOTE 3		surface ISO 1302 ✓	tolerance ISO 406 ISO 1101	projection [Symbol]	product family HPC
ltr	ecn	no	dr	date	tolerances unless otherwise specified
N					angles linear .xx±.01/.3
					0°±2' .xxx±.005/.13
					.xxx±.0020/.051
			dr	D.SHEAFFER	6/5/91
			enr	S.CLARK	6/5/91
			chr	S.CLARK	6/5/91
			appd	S.CLARK	6/5/91
sheet	revision				
index	sheet				
				INCH/MM	title 4 ROW R/A HEADER SOLDER TO BOARD, 0 G.P.
				scale 1:1	dwg no 50122
				[FCI logo]	sheet 2 of 3 size A3
					type Product Customer Drawing

PRODUCT NUMBER	NUMBER OF POSITIONS SEE NOTE 2	TAIL LENGTH REF.	TERMINAL PLATING
50122 -1YYYH	YYY	.180/4.57	30μ"/.76μ GOLD
50122 -1YYYJ	YYY	.120/3.05	30μ"/.76μ GOLD
50122 -3YYYH	YYY	.180/4.57	50μ"/1.27μ GOLD
50122 -3YYYJ	YYY	.120/3.05	50μ"/1.27μ GOLD
50122 -5YYYH	YYY	.180/4.57	30μ"/.76μ GXT
50122 -5YYYHLF	YYY	.180/4.57	30μ"/.76μ GXT
50122 -5YYYJ	YYY	.120/3.05	30μ"/.76μ GXT
50122 -5YYYJLF	YYY	.120/3.05	30μ"/.76μ GXT

NOTES:

1. PRODUCT NUMBERING CODE:  
 50122 - X YYY Z LF  
 LEAD FREE (OPTIONAL)  
 TAIL LENGTH SEE TABLE  
 NO. OF POSITIONS SEE NOTE 2  
 PLATING SEE TABLE  
 BASE NUMBER

- PRODUCT NUMBERING CODE FOR  
 SELECT LOAD PART NUMBERS:  
 50122 - XXYYY LF  
 LEAD FREE (OPTIONAL)  
 SEQUENCE NUMBER  
 ALWAYS 'XX'  
 BASE NUMBER

2. THIS PRODUCT IS CONFIGURED IN SIZES OF  
 6 THRU 100 COLUMNS IN INCREMENTS OF ONE.  
 i.e.: 6,7,8,9,.....98,99,100.
3. HOUSING MATERIAL: GLASS AND MINERAL FILLED  
 HIGH TEMP. THERMOPLASTIC. FLAME RETARDANT PER  
 UL94V-0. COLOR: BLACK.  
 PIN MATERIAL: PHOS. BRONZE
4. MANUFACTURE'S NAME, P/N, AND LOT CODE  
 TO APPEAR ON THIS SURFACE PER  
 BUS-12-108.
5. LENGTH FORMULAS:  
 DIM "A" = .100/2.54 x NO. OF COLUMNS + .75/19.1  
 DIM "B" = .100/2.54 x NO. OF COLUMNS + .450/11.43  
 DIM "C" = .100/2.54 x NO. OF COLUMNS - .100/2.54

6. THIS PRODUCT (WITH "LF" SUFFIX) MEETS EUROPEAN UNION DIRECTIVES  
 AND OTHER COUNTRY REGULATIONS AS DESCRIBED IN GS-22-008.
7. THIS HOUSING WILL WITHSTAND EXPOSURE TO 260° C PEAK TEMPERATURE  
 FOR 10-30 SECONDS IN A CONVECTION, INFRA-RED OR VAPOR PHASE  
 REFLOW OVEN.

mat'l. code SEE NOTE 3		surface ISO 1302 <input checked="" type="checkbox"/>	tolerance ISO 406 ISO 1101	projection 	product family HPC
ltr	ecn	no	dr	date	tolerances unless otherwise specified
N					angles linear .XX±.01/.3 .XXX±.005/.13 0'±2' .XXXX±.0020/.051
					INCH/MM scale 1:1
					title 4 ROW R/A HEADER SOLDER TO BOARD, 0 G.P.
					dwg no 50122
					sheet 3 of 3 size A3
					type Product Customer Drawing
sheet index	revision sheet				

Copyright FCJ  
 FCJconnect.com