



Chipsmall Limited consists of a professional team with an average of over 10 year of expertise in the distribution of electronic components. Based in Hongkong, we have already established firm and mutual-benefit business relationships with customers from,Europe,America and south Asia,supplying obsolete and hard-to-find components to meet their specific needs.

With the principle of "Quality Parts,Customers Priority,Honest Operation,and Considerate Service",our business mainly focus on the distribution of electronic components. Line cards we deal with include Microchip,ALPS,ROHM,Xilinx,Pulse,ON,Everlight and Freescale. Main products comprise IC,Modules,Potentiometer,IC Socket,Relay,Connector.Our parts cover such applications as commercial,industrial, and automotives areas.

We are looking forward to setting up business relationship with you and hope to provide you with the best service and solution. Let us make a better world for our industry!



Contact us

Tel: +86-755-8981 8866 Fax: +86-755-8427 6832

Email & Skype: info@chipsmall.com Web: www.chipsmall.com

Address: A1208, Overseas Decoration Building, #122 Zhenhua RD., Futian, Shenzhen, China



DWG. NO.
SD-501266-001

F

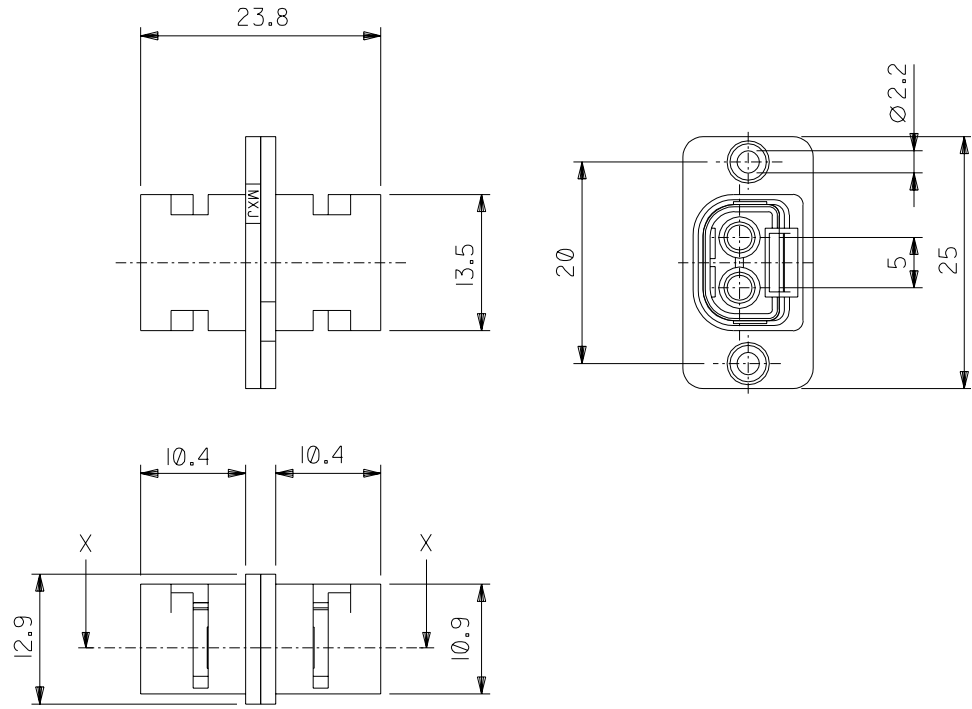
D

V

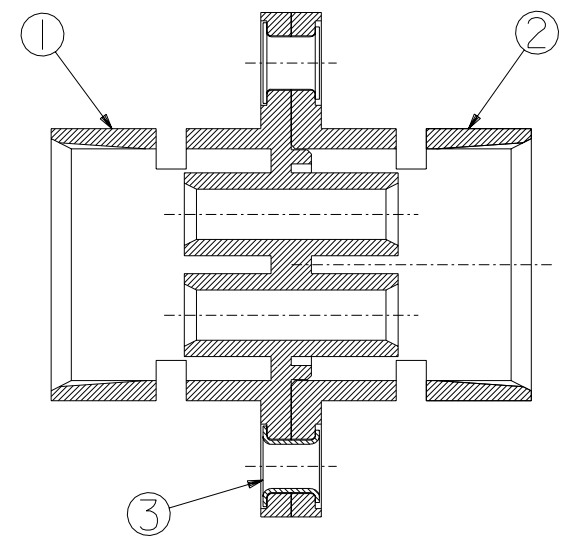
C

B

DO NOT SCALE DRAWING



NO.	部品名称 PART TITLE	材質 MATERIAL	数量 QT'Y
①	アダプタ パートA ADAPTER PART-A	ポリエステル (ガラス) 入り POLYESTER UL94V-0 (GLE Y)	1
②	アダプタ パートB ADAPTER PART-B	ポリエステル (ガラス) 入り POLYESTER UL94V-0 (GLE Y)	1
③	ハトメ HATOME	黄銅 BRASS	2



SECTION X-X
(SCALE:4-1)

注記
NOTES

- 1. 嵌合プラグ : 501270-0000
MATING PLUG : 501270-0000

501266-0000
MATERIAL NO.
MODEL NO.: 501266-000*

① 64 NO. DRWN: CHK: APPR:	② 63 NO. DRWN: CHK: APPR:	③ 62 NO. DRWN: CHK: APPR:	④ 61 NO. DRWN: CHK: APPR:	⑤ RELEASED '04/05/28 J2004-4481 TE.NAGASE A.SHIMOTSU A.SHIMOTSU	MATERIAL 材料	GENERAL TOLERANCES: (UNLESS SPECIFIED) 一般公差	SCALE 2-1	DESIGN UNITS <input checked="" type="checkbox"/> mm <input type="checkbox"/> INCH	⑥ 20° PROJECTION	DIMENSIONS: <input type="checkbox"/> mm <input type="checkbox"/> INCH <input checked="" type="checkbox"/> mm ONLY	SHT	REV
					SEE NOTES	10 UNDER 未満	±0.2	DRAWN BY & DATE TE.NAGASE '04/05/28		TITLE: NEW SMI CONN. ADAPTER ASS'Y		
					FINISH 仕上げ	10 OVER 以上	30 UNDER 未満	±0.25	CHECKED BY & DATE A.SHIMOTSU '04/05/28			
					WIRE RANGE 適用線径範囲	30 OVER 以上		±0.3	APPROVED BY & DATE A.SHIMOTSU '04/05/28	MOLEX INCORPORATED		
					INS. RANGE 被覆外径	ANGLE 角度		±3°	CAD FILENAME SD-501266-001.S01	MATERIAL NO. SD-501266-001	DRAWING NO. SD-501266-001	SHEET NO. 1 OF 1