



Chipsmall Limited consists of a professional team with an average of over 10 year of expertise in the distribution of electronic components. Based in Hongkong, we have already established firm and mutual-benefit business relationships with customers from,Europe,America and south Asia,supplying obsolete and hard-to-find components to meet their specific needs.

With the principle of "Quality Parts,Customers Priority,Honest Operation,and Considerate Service",our business mainly focus on the distribution of electronic components. Line cards we deal with include Microchip,ALPS,ROHM,Xilinx,Pulse,ON,Everlight and Freescale. Main products comprise IC,Modules,Potentiometer,IC Socket,Relay,Connector.Our parts cover such applications as commercial,industrial, and automotives areas.

We are looking forward to setting up business relationship with you and hope to provide you with the best service and solution. Let us make a better world for our industry!



## Contact us

Tel: +86-755-8981 8866 Fax: +86-755-8427 6832

Email & Skype: info@chipsmall.com Web: www.chipsmall.com

Address: A1208, Overseas Decoration Building, #122 Zhenhua RD., Futian, Shenzhen, China

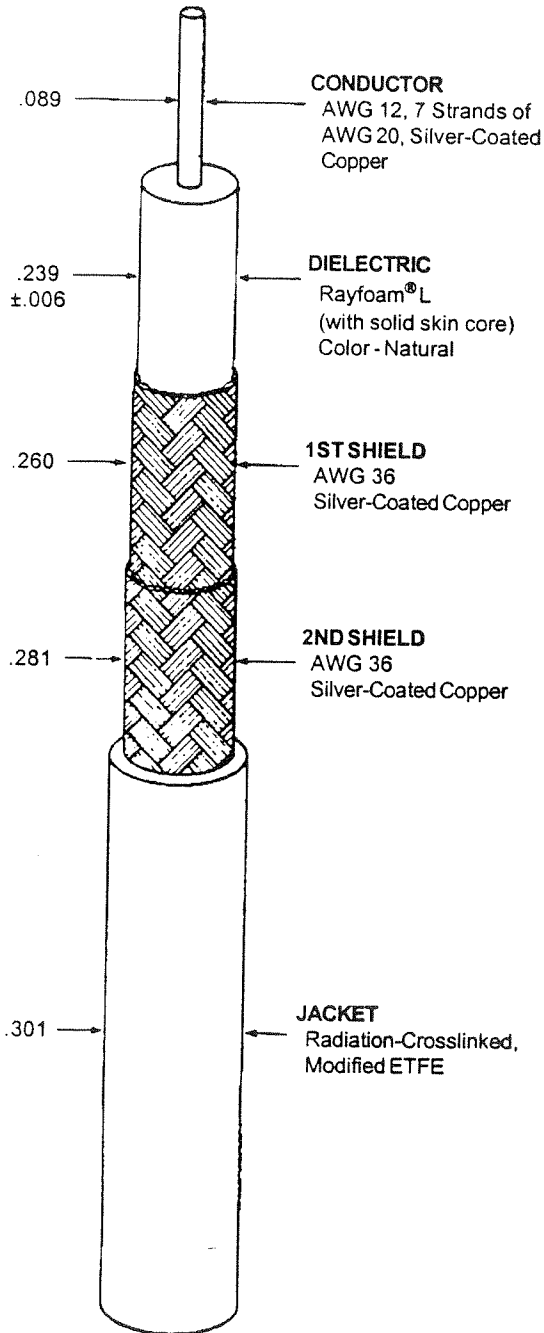


THIS SPECIFICATION SHEET FORMS A PART OF THE LATEST ISSUE OF RAYCHEM SPECIFICATION 1200.

**CONSTRUCTION DETAILS**

**ELECTRICAL CHARACTERISTICS**

DIMENSIONS ARE NOMINAL VALUES IN INCHES UNLESS OTHERWISE DESIGNATED.



CHARACTERISTIC IMPEDANCE	50 ± 2 ohms, Method A
CAPACITANCE	25.0 pF/ft. (minimum)
VELOCITY OF PROPAGATION	77% (nominal)
ATTENUATION	6.2 dB/100 ft. (maximum) at 400 MHz

**ADDITIONAL REQUIREMENTS**

**ELECTRICAL**

CONDUCTOR RESISTANCE	1.7 ohms/1000ft. (nominal)
INSULATION RESISTANCE	10,000 megohms (minimum) for 1000ft.
JACKET FLAWS	1.0 kV (rms), 60 Hz
VOLTAGE WITHSTAND (DIELECTRIC)	1000 volts (rms) (minimum)
SHIELD RESISTANCE	2.2 ohms/1000ft. (nominal)
VSWR	FREQUENCY (Mhz) STRUCTURAL RETURN LOSS (db)
	2.8 - 24 15.6 (minimum)
	108 - 136 15.6 (minimum)
	960 - 1215 15.6 (minimum)
	4200 - 4400 14.0 (minimum)
	When terminated with approved connectors

**ENVIRONMENTAL**

AGING STABILITY	135°C/-55°C/8.00 inch mandrel
FLAMMABILITY	Method B
HEAT SHOCK	225°C
LOW TEMPERATURE-COLDBEND	-55°C/8.00 inch mandrel
SKYDROL RESISTANCE	24 hours at 50 ± 1°C, change in O.D. of 5% (maximum)
VOLTAGE WITHSTAND (POST ENVIRONMENTAL)	1000 volts (rms), 1 minute

**PHYSICAL**

INSULATION (DIELECTRIC) ELONGATION	50% (minimum)
TENSILE STRENGTH	800 lbf/in <sup>2</sup> (minimum)
JACKET ELONGATION	50% (minimum)
TENSILE STRENGTH	5000 lbf/in <sup>2</sup> (minimum)
JACKET THICKNESS	.010 inch (nominal)
SHIELD COVERAGE (EACH)	90% (minimum)
INSULATION (DIELECTRIC) CONCENTRICITY	75% (minimum)

PRODUCT IDENTIFICATION: The cable shall be marked in a contrasting color at 6 inch (nominal) intervals between marks as follows:  
"5012H3012-06090"

Replaces EPD 5883

WEIGHT 67.9 lbs/1000 ft. (nominal)

Outer jacket color will be black (designated by a "-0" appended to a part number, e.g., 5012H3012-0) unless otherwise specified.

Designate outer jacket color with a dash number in accordance with MIL-STD-681.