



Chipsmall Limited consists of a professional team with an average of over 10 year of expertise in the distribution of electronic components. Based in Hongkong, we have already established firm and mutual-benefit business relationships with customers from,Europe,America and south Asia,supplying obsolete and hard-to-find components to meet their specific needs.

With the principle of “Quality Parts,Customers Priority,Honest Operation,and Considerate Service”,our business mainly focus on the distribution of electronic components. Line cards we deal with include Microchip,ALPS,ROHM,Xilinx,Pulse,ON,Everlight and Freescale. Main products comprise IC,Modules,Potentiometer,IC Socket,Relay,Connector.Our parts cover such applications as commercial,industrial, and automotives areas.

We are looking forward to setting up business relationship with you and hope to provide you with the best service and solution. Let us make a better world for our industry!



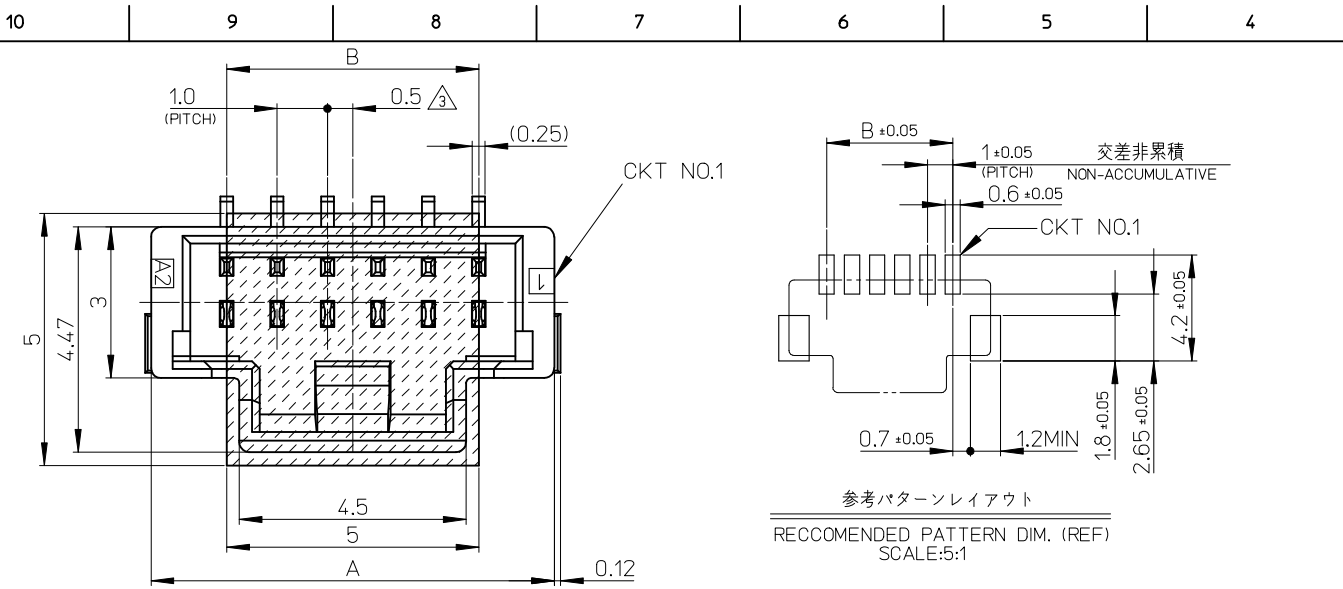
Contact us

Tel: +86-755-8981 8866 Fax: +86-755-8427 6832

Email & Skype: info@chipsmall.com Web: www.chipsmall.com

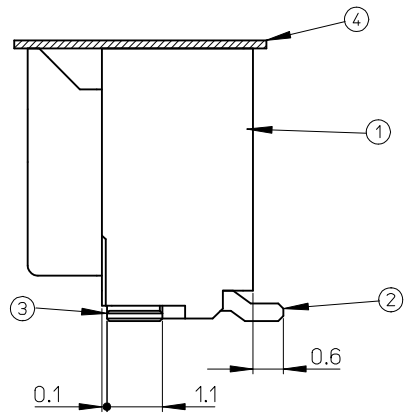
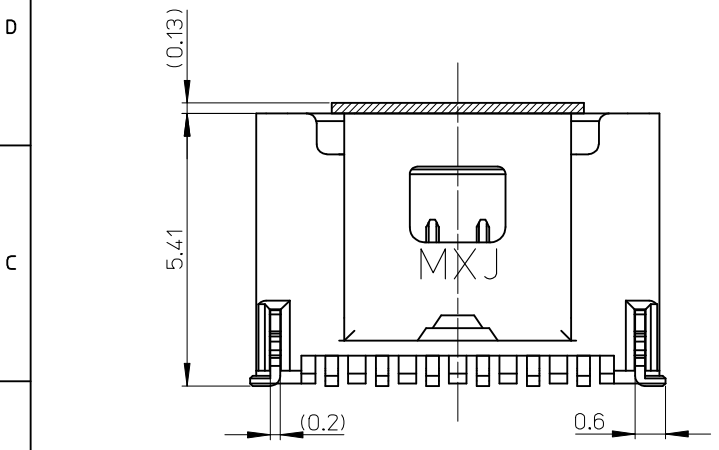
Address: A1208, Overseas Decoration Building, #122 Zhenhua RD., Futian, Shenzhen, China





参考パターンレイアウト
RECOMMENDED PATTERN DIM. (REF)
SCALE:5:1

| 番号 NO. | 部品 PART | 材質 MATERIAL |
|--------|----------------------|--|
| ① | ウェハー WAFER | 耐熱ナイロン樹脂 UL94V-0 色:表参照 HEAT RESISTANCE NYLON UL94V-0, COLOR:SEE TABLE |
| ② | ソルダーピン SOLDER PIN | りん青銅 PHOSPHOR BRONZE 錫メッキ: 1.0 μm MIN. TIN ニッケルメッキ(下地): 1.0 μm MIN. NICKEL(UNDER PLATING) |
| ③ | ネイル NAIL | りん青銅 PHOSPHOR BRONZE 錫メッキ: 1.0 μm MIN. TIN ニッケルメッキ(下地): 1.0 μm MIN. NICKEL(UNDER PLATING) |
| ④ | カバーテープ COVER TAPE | ポリイミドテープ POLYIMIDE TAPE |



※対応可能な極数は、別途お問い合わせ下さい。

| | | | | |
|------|------|--------------|------|-------------|
| 14.0 | 17.0 | 501331-1507 | 15 | 501331-**07 |
| 13.0 | 16.0 | 501331-1407 | 14 | |
| 12.0 | 15.0 | 501331-1307 | 13 | |
| 11.0 | 14.0 | 501331-1207 | 12 | |
| 10.0 | 13.0 | 501331-1107 | 11 | |
| 9.0 | 12.0 | 501331-1007 | 10 | |
| 8.0 | 11.0 | 501331-0907 | 9 | |
| 7.0 | 10.0 | 501331-0807 | 8 | |
| 6.0 | 9.0 | 501331-0707 | 7 | |
| 5.0 | 8.0 | 501331-0607 | 6 | |
| B | A | MATERIAL NO. | CKT. | MODEL NO. |

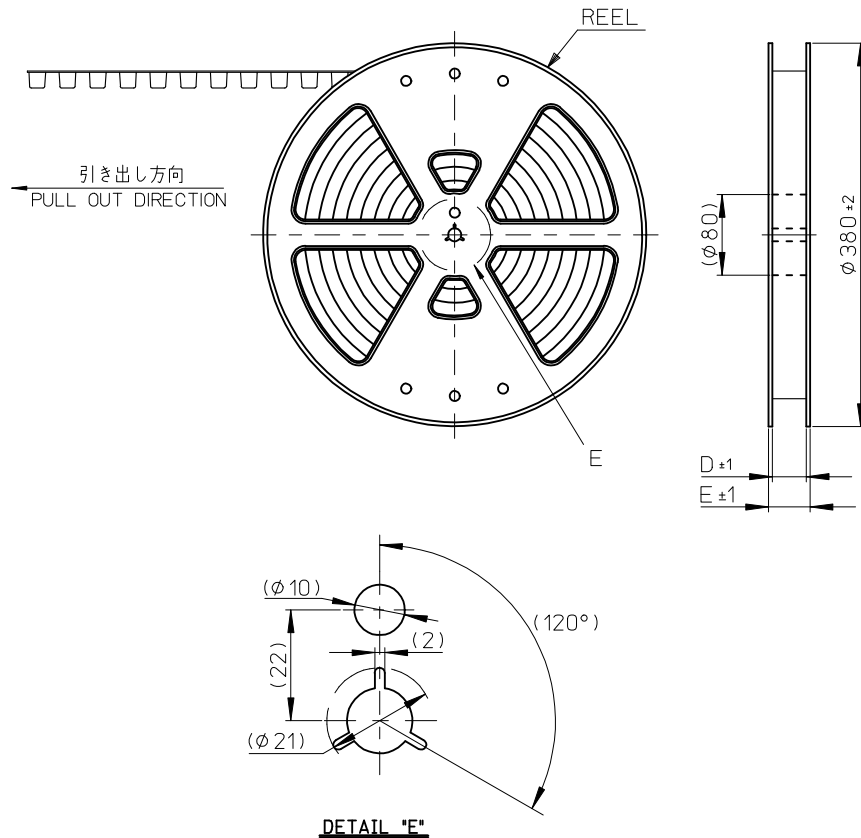
- NOTES.
1. 嵌合相手: 501330-****
MATE WITH: 501330-****
 2. ソルダーピン及びネイル平坦度は、0.1MAX.
SOLDER PIN AND NAIL COPLANARITY TO BE 0.1MAX.
 3. 極数=偶数に適用
APPLY FOR CKT SIZE=EVEN
 4. 2~5極は、SD-501331-001を参照下さい。
REFER TO SD-501331-001 ABOUT 2-5CKT.
 5. ELV及びRoHS適合品。
ELV AND RoHS COMPLIANT.

| | | | | | | | | | | |
|---|--------------------|--|-------|----------------------------|--------------------|--|------------------------|------------------------|--|--|
| REVISED EC NO: J2014-1509 DRWN:YAJI MA01 2014/04/04 CHKD:KASAKAWA 2014/04/07 APPR:NIKI TA 2014/04/07 | DESCRIPTION REV | GENERAL TOLERANCES (UNLESS SPECIFIED) | | DIMENSION STYLE MM ONLY | | SCALE 10:1 | DESIGN UNITS METRIC | THIRD ANGLE PROJECTION | | |
| | | 10 UNDER | ±0.2 | DRAWN BY NYOSHIDA | DATE 2004/07/30 | TITLE 1.0 WIRE TO BOARD CONN. WAFER ASS'Y (1-ROW S/T) 6-15CKT | | | | |
| | | 10 OVER 30 UNDER | ±0.25 | CHECKED BY MYAGI | DATE 2004/07/30 | | | | | |
| | | 30 OVER | ±0.3 | APPROVED BY MIYAZAWA | DATE 2004/07/30 | | | | | |
| ANGULAR ±3 ° | | DRAFT WHERE APPLICABLE MUST REMAIN WITHIN DIMENSIONS | | MATERIAL NO. SEE TABLE | | DOCUMENT NO. SD-501331-002 | | SHEET NO. 1 OF 2 | | |
| SIZE A3 THIS DRAWING CONTAINS INFORMATION THAT IS PROPRIETARY TO MOLEX INCORPORATED AND SHOULD NOT BE USED WITHOUT WRITTEN PERMISSION | | | | | | | | | | |

| 紫 PA46 VIOLET | 橙 PA46 ORANGE | 茶 PA46 BROWN | 緑 PA46 GREEN | 色 COLOR |
|---------------------------------------|---------------------------------------|---------------------------------------|---------------------------------------|----------------|
| 501331-1597 | 501331-1587 | 501331-1577 | 501331-1567 | 15 |
| 501331-1497 | 501331-1487 | 501331-1477 | 501331-1467 | 14 |
| 501331-1397 | 501331-1387 | 501331-1377 | 501331-1367 | 13 |
| 501331-1297 | 501331-1287 | 501331-1277 | 501331-1267 | 12 |
| 501331-1197 | 501331-1187 | 501331-1177 | 501331-1167 | 11 |
| 501331-1097 | 501331-1087 | 501331-1077 | 501331-1067 | 10 |
| 501331-0997 | 501331-0987 | 501331-0977 | 501331-0967 | 9 |
| 501331-0897 | 501331-0887 | 501331-0877 | 501331-0867 | 8 |
| 501331-0797 | 501331-0787 | 501331-0777 | 501331-0767 | 7 |
| 501331-0697 | 501331-0687 | 501331-0677 | 501331-0667 | 6 |
| EMBOSSSED PACKAGE オーダー番号 ORDER NO. | EMBOSSSED PACKAGE オーダー番号 ORDER NO. | EMBOSSSED PACKAGE オーダー番号 ORDER NO. | EMBOSSSED PACKAGE オーダー番号 ORDER NO. | 極数 CIRCUITS |

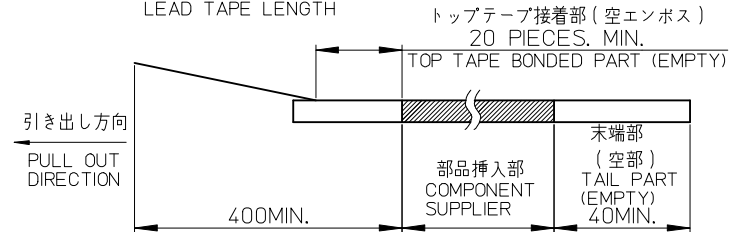
| 青 PA46 BLUE | 黄 PA46 YELLOW | 赤 PA46 RED | 黒 PA46 BLACK | 自然色 PA6T NATURAL | 色 COLOR |
|---------------------------------------|---------------------------------------|---------------------------------------|---------------------------------------|---------------------------------------|----------------|
| 501331-1547 | 501331-1537 | 501331-1527 | | 501331-1507 | 15 |
| 501331-1447 | 501331-1437 | 501331-1427 | | 501331-1407 | 14 |
| 501331-1347 | 501331-1337 | 501331-1327 | | 501331-1307 | 13 |
| 501331-1247 | 501331-1237 | 501331-1227 | | 501331-1207 | 12 |
| 501331-1147 | 501331-1137 | 501331-1127 | | 501331-1107 | 11 |
| 501331-1047 | 501331-1037 | 501331-1027 | | 501331-1007 | 10 |
| 501331-0947 | 501331-0937 | 501331-0927 | 501331-0917 | 501331-0907 | 9 |
| 501331-0847 | 501331-0837 | 501331-0827 | 501331-0817 | 501331-0807 | 8 |
| 501331-0747 | 501331-0737 | 501331-0727 | | 501331-0707 | 7 |
| 501331-0647 | 501331-0637 | 501331-0627 | 501331-0617 | 501331-0607 | 6 |
| EMBOSSSED PACKAGE オーダー番号 ORDER NO. | EMBOSSSED PACKAGE オーダー番号 ORDER NO. | EMBOSSSED PACKAGE オーダー番号 ORDER NO. | EMBOSSSED PACKAGE オーダー番号 ORDER NO. | EMBOSSSED PACKAGE オーダー番号 ORDER NO. | 極数 CIRCUITS |

| | | | | | | | | | | |
|---|--|--|-------|----------------------------|--------------------|--|------------------------|------------------------|--|--|
| REVISED EC NO: J2014-1509 DRWN: YAJI MA01 CHKD: KASAKAWA APPR: NUKITA | 2014/04/04 2014/04/07 2014/04/07 | GENERAL TOLERANCES (UNLESS SPECIFIED) | | DIMENSION STYLE MM ONLY | | SCALE --- | DESIGN UNITS METRIC | THIRD ANGLE PROJECTION | | |
| | | 10 UNDER | ±0.2 | DRAWN BY NYOSHIDA | DATE 2004/07/30 | TITLE 1.0 WIRE TO BOARD CONN. WAFER ASS'Y (1-ROW S/T) 6-15CKT molex | | | | |
| | | 10 OVER 30 UNDER | ±0.25 | CHECKED BY MYAGI | DATE 2004/07/30 | | | | | |
| | | 30 OVER | ±0.3 | APPROVED BY MIYAZAWA | DATE 2004/07/30 | | | | | |
| ANGULAR ±3 ° | | DRAFT WHERE APPLICABLE MUST REMAIN WITHIN DIMENSIONS | | MATERIAL NO. SEE TABLE | | DOCUMENT NO. SD-501331-002 | | SHEET NO. 2 OF 2 | | |



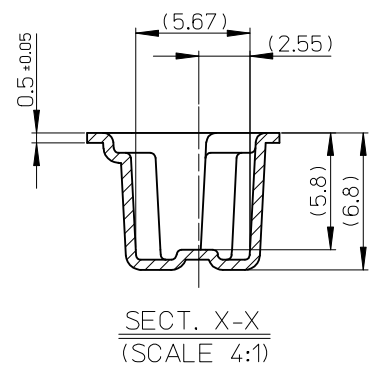
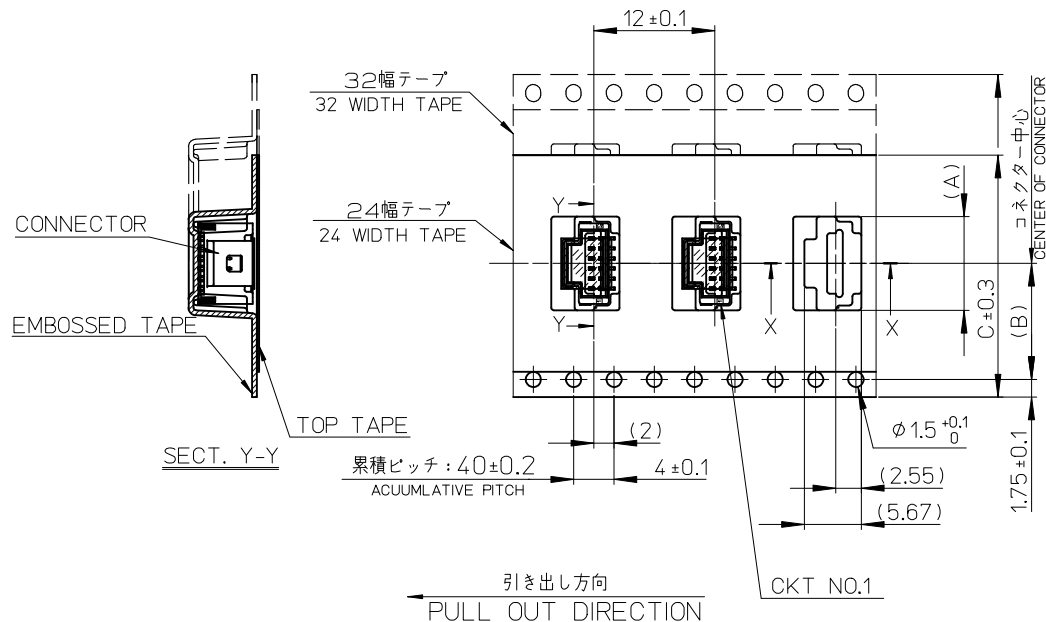
NOTES.

- 製品詳細寸法については製品単体図面を参照ください。
ABOUT DETAILED DIMENSION, SEE PRODUCT DRAWING.
- 梱包数量：1100個/リール
NUMBER OF CONNECTORS：1100PIECES/REEL
- リードテープ長さ
LEAD TAPE LENGTH



- 材料
MATERIAL
キャリアテープ：ポリプロピレン
CARRIER TAPE：POLYPROPYLENE
トップテープ：PET、PE、REF
TOP TAPE
リール：ポリスチレン（リサイクル材を含む）
REEL：POLYSTYLENE (RECYCLE MATERIAL CONTAINED)
- ELV 及び RoHS適合品
ELV AND RoHS COMPLIANT.
- ハイバリア梱包（シリカゲル入り）対応品である。（501331-**07除く）
THIS PRODUCT IS HIGH BARRIER PACKAGE.(WITH SILICAGEL)
(BESIDES 501331-**07)
- 開梱後の保管条件に注意のこと。（ハイバリア品対象：PS-501331-001参照）
REFER TO PS-501331-001(HIGH BARRIER PRODUCT)
FOR CONDITIONS AFTER OPEN.

| | | | | | | | | | |
|---|--------------------|--|-------|-----------------------------|-------------------------------|---|------------------------|------------------------|--|
| REVISED EC NO: J2014-1509 DRWN: YAJI MAO1 2014/04/04 CHKD: KASAKAWA 2014/04/07 APPR: NUKITA 2014/04/07 | DESCRIPTION REV | GENERAL TOLERANCES (UNLESS SPECIFIED) | | DIMENSION STYLE MM ONLY | | SCALE --- | DESIGN UNITS METRIC | THIRD ANGLE PROJECTION | |
| | | 10 UNDER | ±0.2 | DRAWN BY NYOSHIDA | DATE 2005/01/18 | TITLE 1.0 WIRE TO BOARD CONN. WAFER ASS'Y (1-ROW S/T) EMBSTP PKG | | | |
| | | 10 OVER 30 UNDER | ±0.25 | CHECKED BY MYAGI | DATE 2005/01/18 | | | | |
| | | 30 OVER | ±0.3 | APPROVED BY ANODA | DATE 2005/01/18 | | | | |
| ANGULAR ±1 ° | | DRAFT WHERE APPLICABLE MUST REMAIN WITHIN DIMENSIONS | | MATERIAL NO. SEE SHEET 3 | DOCUMENT NO. SD-501331-004 | SHEET NO. 1 OF 3 | | | |
| THIS DRAWING CONTAINS INFORMATION THAT IS PROPRIETARY TO MOLEX INCORPORATED AND SHOULD NOT BE USED WITHOUT WRITTEN PERMISSION | | | | | | | | | |



| | | | | | |
|------|------|----|------|------|----------------------|
| 37.4 | 33.4 | 32 | 14.2 | 18.3 | 5013311507 |
| | | | | 17.3 | 5013311407 |
| | | | | 16.3 | 5013311307 |
| 29.4 | 25.4 | 24 | 11.5 | 15.3 | 5013311207 |
| | | | | 14.3 | 5013311107 |
| | | | | 13.3 | 5013311007 |
| | | | | 12.3 | 5013310907 |
| | | | | 11.3 | 5013310807 |
| | | | | 10.3 | 5013310707 |
| E | D | C | (B) | 9.3 | 5013310607 |
| | | | | (A) | 製品番号 MATERIAL NO. |

| | | | | | | | |
|--|---------------------------------------|---------------|---|--------------------|---|------------------------|------------------------|
| REVISED EC NO: J2014-1509 DRWN: YAJI MA01 2014/04/04 CHKD: KASAKAWA 2014/04/07 APPR: NUKITA 2014/04/07 | GENERAL TOLERANCES (UNLESS SPECIFIED) | | DIMENSION STYLE MM ONLY | | SCALE --- | DESIGN UNITS METRIC | THIRD ANGLE PROJECTION |
| | 10 UNDER | ± 0.2 | DRAWN BY NYOSHIDA | DATE 2005/01/18 | TITLE 1.0 WIRE TO BOARD CONN. WAFER ASS'Y (1-ROW S/T) EMBSTP PKG molex DOCUMENT NO. SD-501331-004 SHEET NO. 2 OF 3 | | |
| | 10 OVER 30 UNDER | ± 0.25 | CHECKED BY MYAGI | DATE 2005/01/18 | | | |
| | 30 OVER | ± 0.3 | APPROVED BY ANODA | DATE 2005/01/18 | | | |
| | ANGULAR | $\pm 1^\circ$ | MATERIAL NO. | SEE SHEET 3 | | | |
| DRAFT WHERE APPLICABLE MUST REMAIN WITHIN DIMENSIONS | | SIZE A3 | THIS DRAWING CONTAINS INFORMATION THAT IS PROPRIETARY TO MOLEX INCORPORATED AND SHOULD NOT BE USED WITHOUT WRITTEN PERMISSION | | | | |

| 紫 VIOLET | 橙 ORANGE | 茶 BROWN | 緑 GREEN | 色 COLOR |
|---------------------------------------|---------------------------------------|---------------------------------------|---------------------------------------|----------------|
| 501331-1597 | 501331-1587 | 501331-1577 | 501331-1567 | 15 |
| 501331-1497 | 501331-1487 | 501331-1477 | 501331-1467 | 14 |
| 501331-1397 | 501331-1387 | 501331-1377 | 501331-1367 | 13 |
| 501331-1297 | 501331-1287 | 501331-1277 | 501331-1267 | 12 |
| 501331-1197 | 501331-1187 | 501331-1177 | 501331-1167 | 11 |
| 501331-1097 | 501331-1087 | 501331-1077 | 501331-1067 | 10 |
| 501331-0997 | 501331-0987 | 501331-0977 | 501331-0967 | 9 |
| 501331-0897 | 501331-0887 | 501331-0877 | 501331-0867 | 8 |
| 501331-0797 | 501331-0787 | 501331-0777 | 501331-0767 | 7 |
| 501331-0697 | 501331-0687 | 501331-0677 | 501331-0667 | 6 |
| EMBOSSSED PACKAGE オーダー番号 ORDER NO. | EMBOSSSED PACKAGE オーダー番号 ORDER NO. | EMBOSSSED PACKAGE オーダー番号 ORDER NO. | EMBOSSSED PACKAGE オーダー番号 ORDER NO. | 極数 CIRCUITS |

| 青 BLUE | 黄 YELLOW | 赤 RED | 黒 BLACK | 自然色 NATURAL | 色 COLOR |
|---------------------------------------|---------------------------------------|---------------------------------------|---------------------------------------|---------------------------------------|----------------|
| 501331-1547 | 501331-1537 | 501331-1527 | | 501331-1507 | 15 |
| 501331-1447 | 501331-1437 | 501331-1427 | | 501331-1407 | 14 |
| 501331-1347 | 501331-1337 | 501331-1327 | | 501331-1307 | 13 |
| 501331-1247 | 501331-1237 | 501331-1227 | | 501331-1207 | 12 |
| 501331-1147 | 501331-1137 | 501331-1127 | | 501331-1107 | 11 |
| 501331-1047 | 501331-1037 | 501331-1027 | | 501331-1007 | 10 |
| 501331-0947 | 501331-0937 | 501331-0927 | 501331-0917 | 501331-0907 | 9 |
| 501331-0847 | 501331-0837 | 501331-0827 | 501331-0817 | 501331-0807 | 8 |
| 501331-0747 | 501331-0737 | 501331-0727 | | 501331-0707 | 7 |
| 501331-0647 | 501331-0637 | 501331-0627 | 501331-0617 | 501331-0607 | 6 |
| EMBOSSSED PACKAGE オーダー番号 ORDER NO. | EMBOSSSED PACKAGE オーダー番号 ORDER NO. | EMBOSSSED PACKAGE オーダー番号 ORDER NO. | EMBOSSSED PACKAGE オーダー番号 ORDER NO. | EMBOSSSED PACKAGE オーダー番号 ORDER NO. | 極数 CIRCUITS |

| | | | | | | | |
|--|---------------------------------------|---|----------------------------|-------------------------------|---|------------------------|------------------------|
| REVISED EC NO: J2014-1509 DRWN: YAJI MAO1 2014/04/04 CHKD: KASAKAWA 2014/04/07 APPR: NUKITA 2014/04/07 | GENERAL TOLERANCES (UNLESS SPECIFIED) | | DIMENSION STYLE MM ONLY | | SCALE --- | DESIGN UNITS METRIC | THIRD ANGLE PROJECTION |
| | 10 UNDER | ±0.2 | DRAWN BY NYOSHIDA | DATE 2005/01/18 | TITLE 1.0 WIRE TO BOARD CONN. WAFER ASS'Y (1-ROW S/T) EMBSTP PKG | | |
| | 10 OVER 30 UNDER | ±0.25 | CHECKED BY MYAGI | DATE 2005/01/18 | molex | | |
| | 30 OVER | ±0.3 | APPROVED BY ANODA | DATE 2005/01/18 | | | |
| ANGULAR ±1 ° | | MATERIAL NO. SEE TABLE | | DOCUMENT NO. SD-501331-004 | | SHEET NO. 3 OF 3 | |
| DRAFT WHERE APPLICABLE MUST REMAIN WITHIN DIMENSIONS | | THIS DRAWING CONTAINS INFORMATION THAT IS PROPRIETARY TO MOLEX INCORPORATED AND SHOULD NOT BE USED WITHOUT WRITTEN PERMISSION | | | | | |