



Chipsmall Limited consists of a professional team with an average of over 10 year of expertise in the distribution of electronic components. Based in Hongkong, we have already established firm and mutual-benefit business relationships with customers from,Europe,America and south Asia,supplying obsolete and hard-to-find components to meet their specific needs.

With the principle of “Quality Parts,Customers Priority,Honest Operation,and Considerate Service”,our business mainly focus on the distribution of electronic components. Line cards we deal with include Microchip,ALPS,ROHM,Xilinx,Pulse,ON,Everlight and Freescale. Main products comprise IC,Modules,Potentiometer,IC Socket,Relay,Connector.Our parts cover such applications as commercial,industrial, and automotives areas.

We are looking forward to setting up business relationship with you and hope to provide you with the best service and solution. Let us make a better world for our industry!



Contact us

Tel: +86-755-8981 8866 Fax: +86-755-8427 6832

Email & Skype: info@chipsmall.com Web: www.chipsmall.com

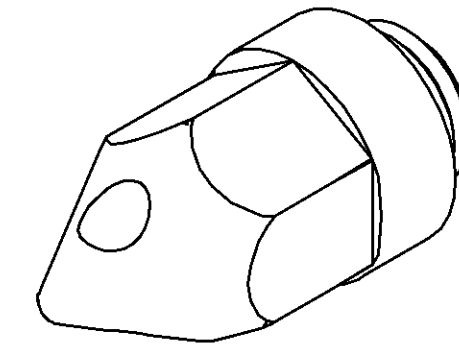
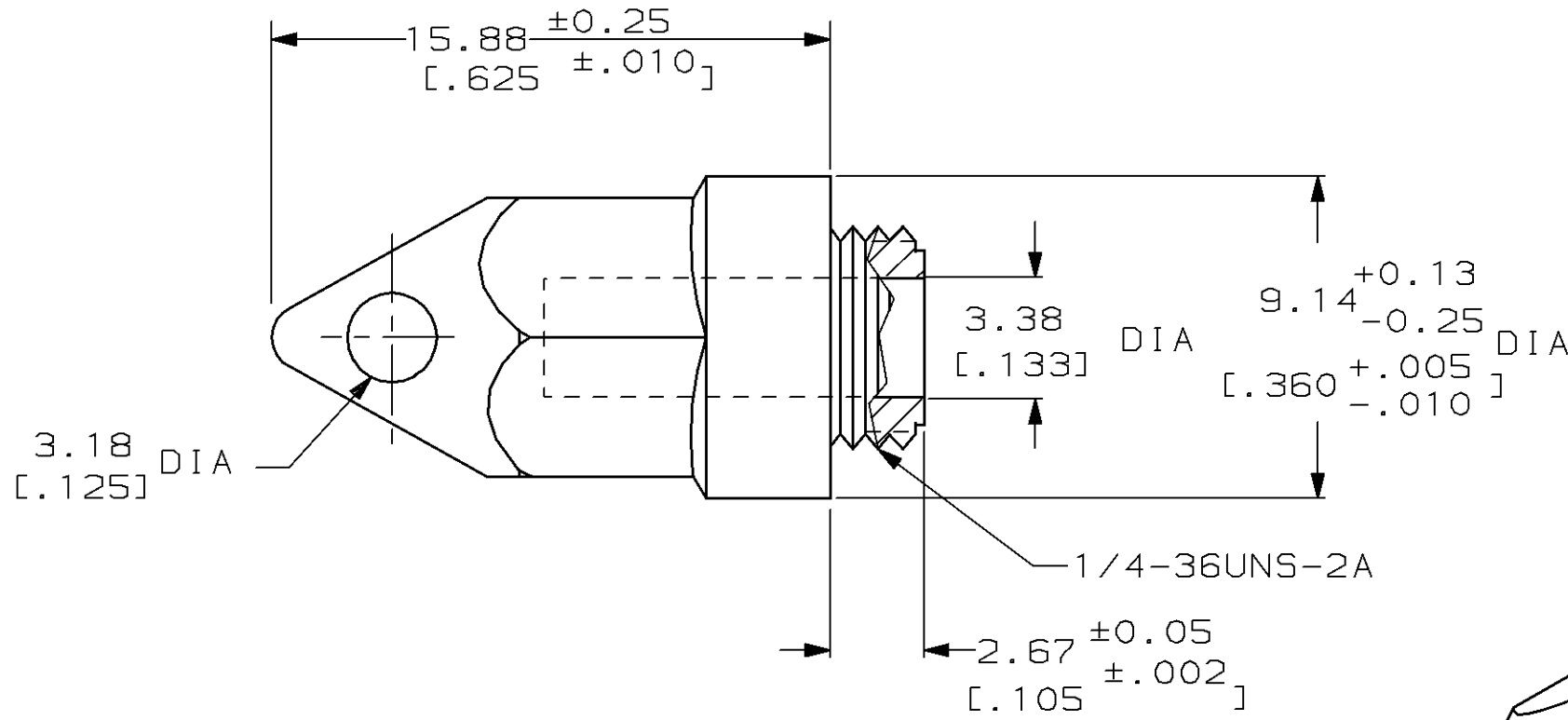
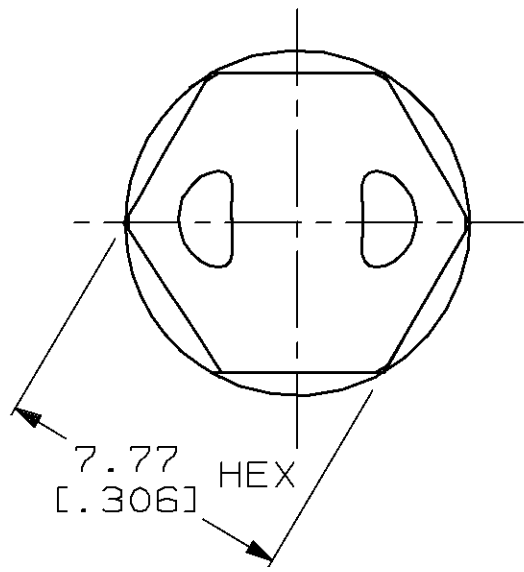
Address: A1208, Overseas Decoration Building, #122 Zhenhua RD., Futian, Shenzhen, China



THIS DRAWING IS UNPUBLISHED. RELEASED FOR PUBLICATION, 19 .
© COPYRIGHT 19 BY AMP INCORPORATED. ALL INTERNATIONAL RIGHTS RESERVED.

LOC	DIST	P	F	ZONE	LTR	DESCRIPTION	DATE	APPD
CE	16				A	REV PER 0A00-0121-95	3-20-95	DDE

- 1. DIMENSIONS IN [] ARE IN INCHES
- 2. BULK PACKAGED, 100 PCS



501350-2
PART NO

DO NOT SCALE PRINT. UNLESS SPECIFIED DIMENSIONS IN INCHES TOLERANCES ON: 2 PLC DEC ± 0.13 [.005] 3 PLC DEC ± - ANGLES ± -	DR 8-1-86 J ZEIDERS	AMP INCORPORATED Harrisburg, Pa. 17105
	CHK 8-1-86 J GERACE	
	APPD 8-1-86 M BEARD	NAME
	APPD 8-1-86 K MONROE	BULLET, FSMA OPTIMATE
MATERIAL THERMOPLASTIC	PRODUCT SPEC -	SIZE
FINISH -	APPLICATION SPEC -	FSCM NO
	WEIGHT -	DRAWING NO
		B 00779
		SCALE 5:1
		SHEET 1 OF 1