



Chipsmall Limited consists of a professional team with an average of over 10 year of expertise in the distribution of electronic components. Based in Hongkong, we have already established firm and mutual-benefit business relationships with customers from,Europe,America and south Asia,supplying obsolete and hard-to-find components to meet their specific needs.

With the principle of “Quality Parts,Customers Priority,Honest Operation,and Considerate Service”,our business mainly focus on the distribution of electronic components. Line cards we deal with include Microchip,ALPS,ROHM,Xilinx,Pulse,ON,Everlight and Freescale. Main products comprise IC,Modules,Potentiometer,IC Socket,Relay,Connector.Our parts cover such applications as commercial,industrial, and automotives areas.

We are looking forward to setting up business relationship with you and hope to provide you with the best service and solution. Let us make a better world for our industry!



Contact us

Tel: +86-755-8981 8866 Fax: +86-755-8427 6832

Email & Skype: info@chipsmall.com Web: www.chipsmall.com

Address: A1208, Overseas Decoration Building, #122 Zhenhua RD., Futian, Shenzhen, China



inspired LED RGB Controller & Wireless Remote

The RGB Dimmer with Wireless Remote is a simple, convenient solution for controlling Inspired LED RGB Spectrum Series systems with ease. Compatible with 3.5 mm 12V DC power supplies and Inspired LED RGB products, this device provides a range of color selections with the turn of a wheel. Buttons allow the entire system to be turned on and off, while smart memory functions retain previous color settings.



Wireless Remote

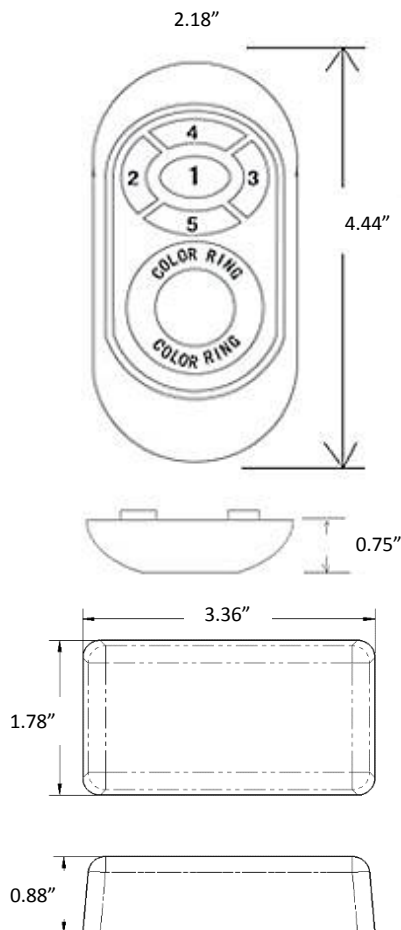


RGB Receiver

Product Features:

- Remote requires AAA batteries (included)
- Max Load- 6 AMPS
- Compatible with 12V DC power input
- Standard R/G/B/Ground output
- Quick-button functions (on/off, high/low, color/white, cycle)
- RF range up to 30 meters
- Wall mount for remote sold separately

Specifications:



Instructions:

To Install-

1. Install LED lights according to their instructions
2. Plug 12V DC power supply into side of receiver marked "power"
3. Connect lights to side of receiver marked "LED" by matching polarities of red, green, blue, and black (ground) wires
4. Select desired color by using touch wheel
5. Press red center button to quickly turn system on and off
6. Press green top and bottom buttons to quickly select highest or lowest level of brightness
7. Press green button on the right to switch between single and multi-color modes
8. Press green button on the left to start color cycle mode

To Pair Remote to Receiver-

1. Plug 12V DC power supply into side of receiver marked "power"
2. Within 3 seconds of connecting power press the top green key **once**
3. Connected lights will blink three times to indicate successful pairing
4. Repeat steps 1-3 to pair additional remotes
5. Once completed, test each remote for control

To Remove Remote from Receiver-

1. Plug 12V DC power supply into side of receiver marked "power"
2. Within 3 seconds of connecting power press the top green key **five times** in a row
3. Disconnected lights will blink six times to indicate successful disassociation of remote

Note- Avoid contact with touch wheel for 3 seconds after loading new batteries in order to protect sensitivity of remote, if functionality is lost, remove and reload batteries

