



Chipsmall Limited consists of a professional team with an average of over 10 year of expertise in the distribution of electronic components. Based in Hongkong, we have already established firm and mutual-benefit business relationships with customers from,Europe,America and south Asia,supplying obsolete and hard-to-find components to meet their specific needs.

With the principle of “Quality Parts,Customers Priority,Honest Operation,and Considerate Service”,our business mainly focus on the distribution of electronic components. Line cards we deal with include Microchip,ALPS,ROHM,Xilinx,Pulse,ON,Everlight and Freescale. Main products comprise IC,Modules,Potentiometer,IC Socket,Relay,Connector.Our parts cover such applications as commercial,industrial, and automotives areas.

We are looking forward to setting up business relationship with you and hope to provide you with the best service and solution. Let us make a better world for our industry!



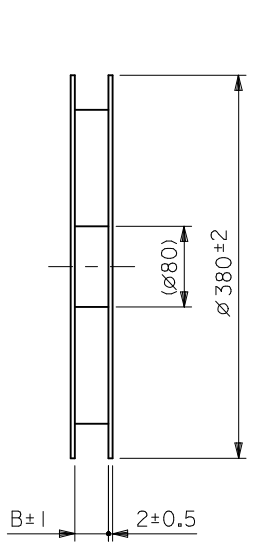
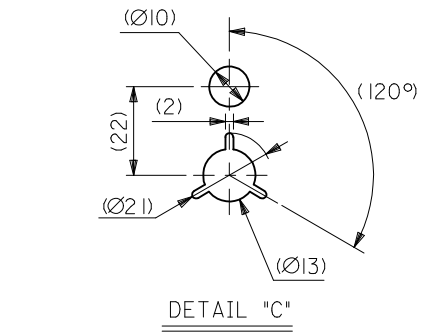
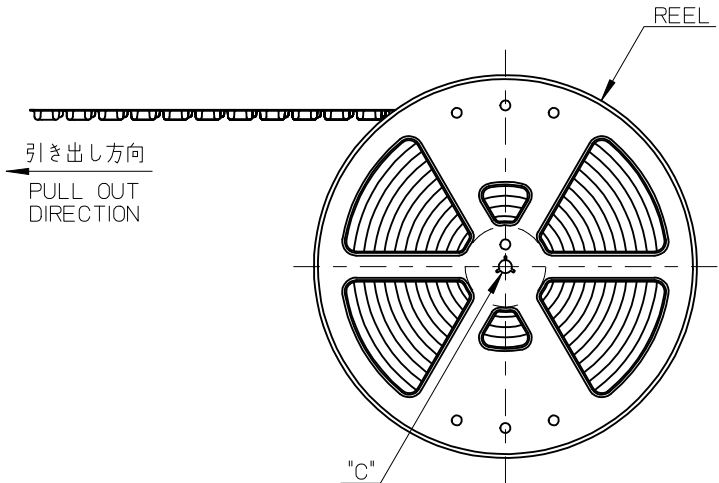
Contact us

Tel: +86-755-8981 8866 Fax: +86-755-8427 6832

Email & Skype: info@chipsmall.com Web: www.chipsmall.com

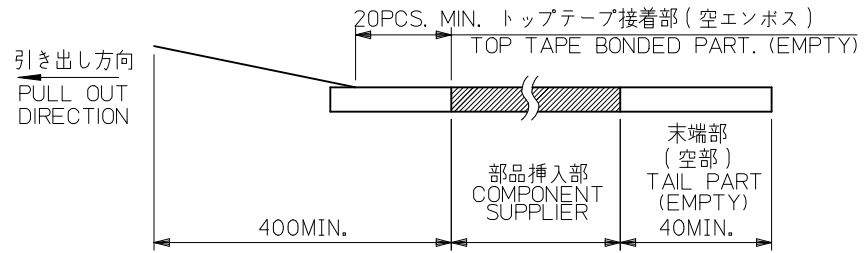
Address: A1208, Overseas Decoration Building, #122 Zhenhua RD., Futian, Shenzhen, China





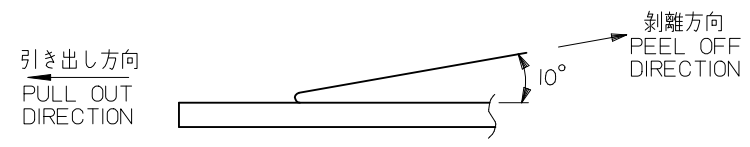
注記 NOTES

- 製品詳細寸法については製品単体図面を参照下さい。
RE DETAILED DIMENSION, SEE PRODUCT DRAWING.
- 梱包数量：6000 個/リール
NUMBER OF CONNECTORS：6000PCS/REEL
- リードテープ長さ LEAD TAPE LENGTH



- トップテープの剥離強度：JES-59 参照
剥離方向は下図参照。

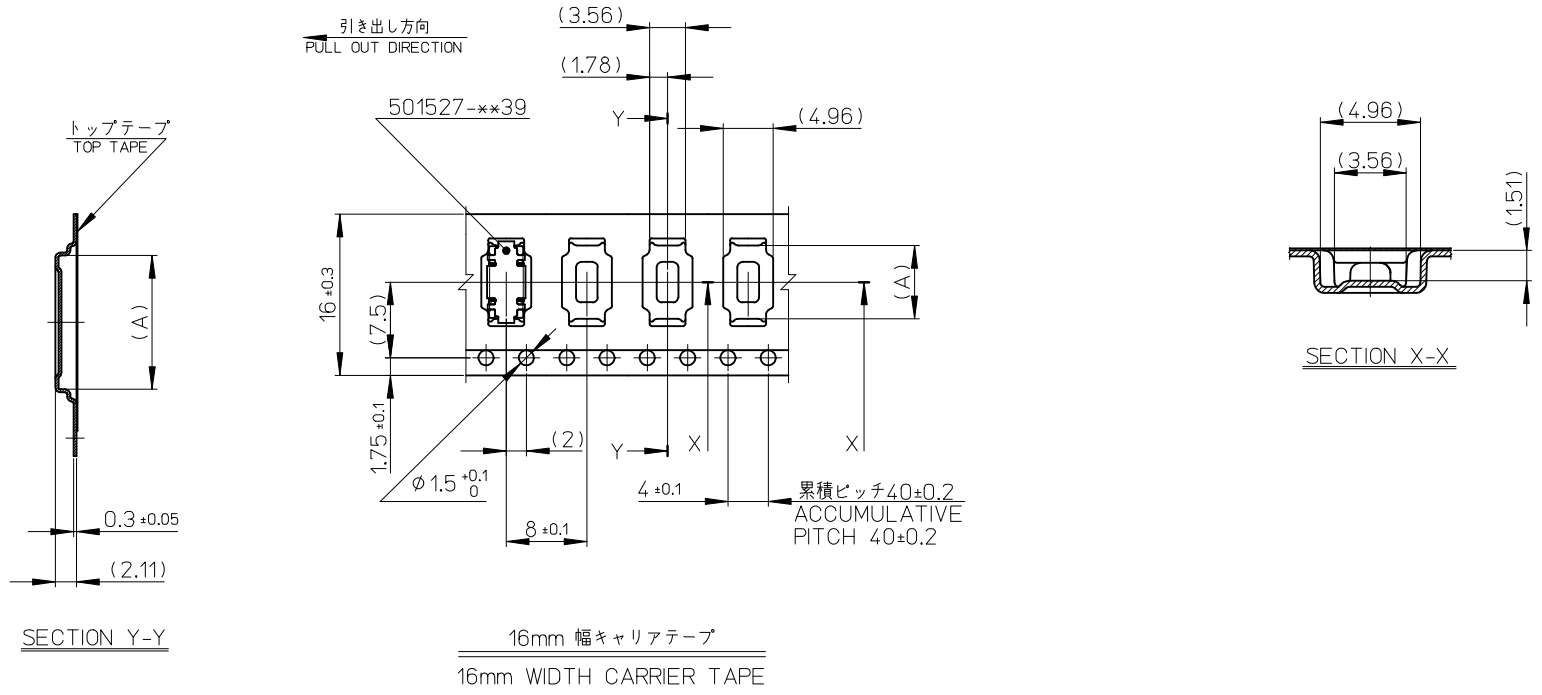
PEELING OFF STRENGTH OF TOP TAPE：REFER TO JES-59
PEELING DIRECTION AS SHOWN IN FOLLOWING FIGURE.



- 材料 MATERIAL
キャリアテープ (CARRIER TAPE)：ポリスチレン (POLYSTYRENE)
トップテープ (TOP TAPE)：PET, PE, PEF
リール (REEL)：ポリスチレン (PS) <リサイクル材を含む>
POLYSTYRENE (PS) <RECYCLE MATERIAL CONTAINED>

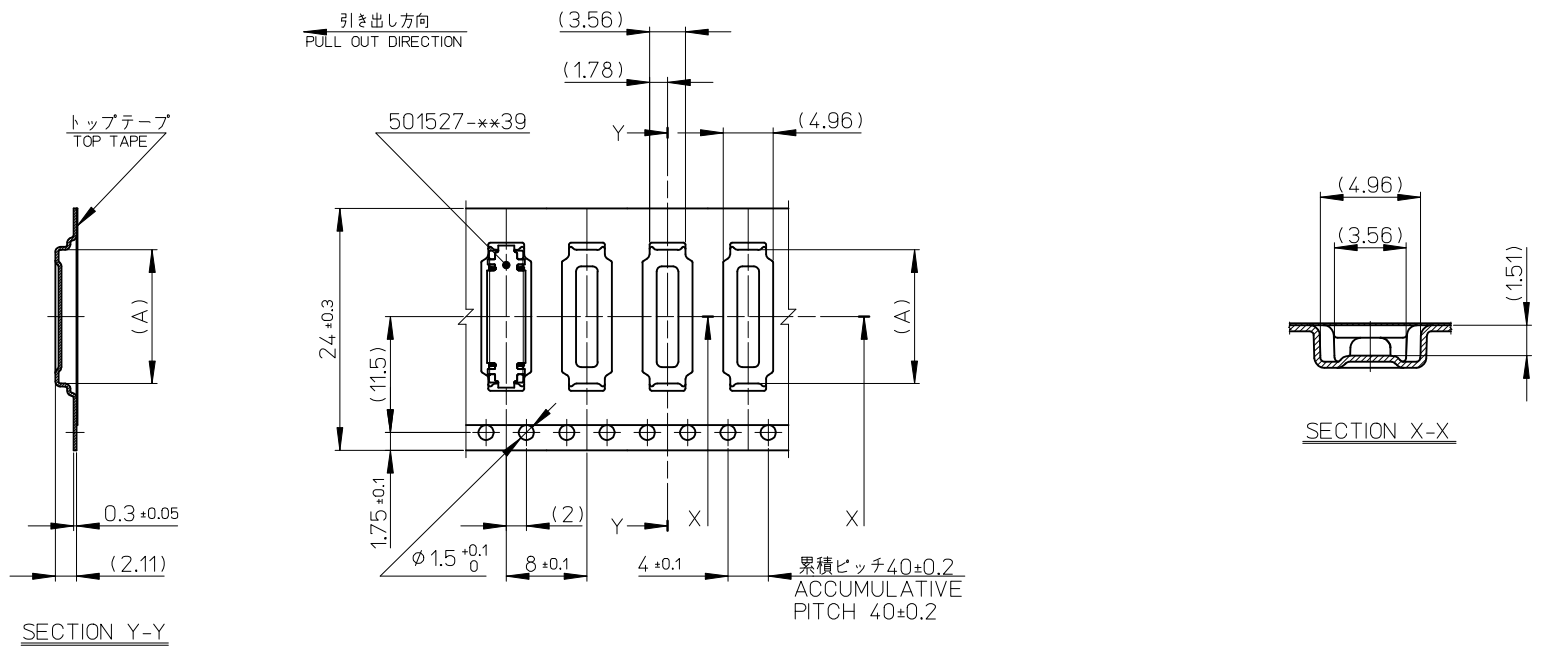
MODEL NO. | 501527-**30

REVISED EC NO: J2016-1237 DRWN: MISHIKAWA 2016/06/09 CHKD: Y0110 2016/06/09 APPR: Y0110 2016/06/16	GENERAL TOLERANCES (UNLESS SPECIFIED)		DIMENSION STYLE MM ONLY		SCALE ---	DESIGN UNITS METRIC	THIRD ANGLE PROJECTION
	0.25 UNDER	UNDER	±0.03	DRAWN BY RTAKEUCHI	DATE 2005/10/26	TITLE 0.4 B-TO-B CONN. HGT=1.3 REC ASSY WITH COVER EMBSTP PKG -LEAD FREE-	
	0.25 OVER	0.5 UNDER	±0.05	CHECKED BY THIRATA	DATE 2005/10/26	molex DOCUMENT NO. SD-501527-002 SHEET NO. 1 OF 3	
	0.5 OVER	1.0 UNDER	±0.1	APPROVED BY MSASAO	DATE 2005/10/26		
	1.0 OVER	10 UNDER	±---	MATERIAL NO. SEE CHART			
30 OVER	30 UNDER	±---	DRAFT WHERE APPLICABLE MUST REMAIN WITHIN DIMENSIONS				



16	17.5	7.26	501527-0230	20
キャリアテープ幅	B	(A)	MATERIAL No.	CKT.
CARRIER TAPE WIDTH			MODEL No.	501527-**-30

REVISED EC NO: J2016-1237 DRWN: MISHIKAWA 2016/06/09 CHKD: Y0110 2016/06/09 APPR: Y0110 2016/06/16	GENERAL TOLERANCES (UNLESS SPECIFIED)			DIMENSION STYLE		SCALE	DESIGN UNITS	THIRD ANGLE PROJECTION	
	0.25 UNDER UNDER ±0.03			MM ONLY		---	METRIC	DRAWN BY RTAKEUCHI DATE 2005/10/26 CHECKED BY THIRATA DATE 2005/10/26 APPROVED BY MSASAO DATE 2005/10/26 MATERIAL NO. SEE CHART	
	0.25 OVER 0.5 UNDER ±0.05							TITLE 0.4 B-TO-B CONN. HGT=1.3 REC ASSY WITH COVER EMBSTP PKG -LEAD FREE- molex	
	0.5 OVER 1.0 UNDER ±0.1							DOCUMENT NO. SD-501527-002 SHEET NO. 2 OF 3	
	1.0 OVER 10 UNDER ±---								
10 OVER 30 UNDER ±---									
30 OVER ±---									
ANGULAR ±--- °									
DRAFT WHERE APPLICABLE MUST REMAIN WITHIN DIMENSIONS			SIZE A3		THIS DRAWING CONTAINS INFORMATION THAT IS PROPRIETARY TO MOLEX ELECTRONIC TECHNOLOGIES, LLC AND SHOULD NOT BE USED WITHOUT WRITTEN PERMISSION				



24mm 幅キャリアテープ
24mm WIDTH CARRIER TAPE

24	25.5	13.26	501527-0530	50	
		11.26	501527-0430	40	
		9.66	501527-3230	32	
		9.26	501527-0330	30	
キャリアテープ幅 CARRIER TAPE WIDTH		B	(A)	MATERIAL No.	CKT.
			MODEL No.	501527-**-30	

REVISED EC NO: J2016-1237 DRWN: MISHIKAWA CHKD: Y0110 APPR: Y0110	GENERAL TOLERANCES (UNLESS SPECIFIED)			DIMENSION STYLE MM ONLY		SCALE ---	DESIGN UNITS METRIC	THIRD ANGLE PROJECTION	
	0.25 UNDER	UNDER	± 0.03	DRAWN BY	DATE	TITLE			
	0.25 OVER	0.5 UNDER	± 0.05	RTAKEUCHI	2005/10/26	0.4 B-TO-B CONN. HGT=1.3 REC ASSY WITH COVER EMBSTP PKG -LEAD FREE-			
	0.5 OVER	1.0 UNDER	± 0.1	THIRATA	2005/10/26				
	1.0 OVER	10 UNDER	± ---	APPROVED BY	DATE	molex DOCUMENT NO. SD-501527-002 SHEET NO. 3 OF 3			
10 OVER	30 UNDER	± ---	MSASAO	2005/10/26					
30 OVER		± ---	MATERIAL NO.						
ANGULAR ± --- °			SEE CHART						
DRAFT WHERE APPLICABLE MUST REMAIN WITHIN DIMENSIONS			SIZE A3	THIS DRAWING CONTAINS INFORMATION THAT IS PROPRIETARY TO MOLEX ELECTRONIC TECHNOLOGIES, LLC AND SHOULD NOT BE USED WITHOUT WRITTEN PERMISSION					