



Chipsmall Limited consists of a professional team with an average of over 10 year of expertise in the distribution of electronic components. Based in Hongkong, we have already established firm and mutual-benefit business relationships with customers from,Europe,America and south Asia,supplying obsolete and hard-to-find components to meet their specific needs.

With the principle of "Quality Parts,Customers Priority,Honest Operation,and Considerate Service",our business mainly focus on the distribution of electronic components. Line cards we deal with include Microchip,ALPS,ROHM,Xilinx,Pulse,ON,Everlight and Freescale. Main products comprise IC,Modules,Potentiometer,IC Socket,Relay,Connector.Our parts cover such applications as commercial,industrial, and automotives areas.

We are looking forward to setting up business relationship with you and hope to provide you with the best service and solution. Let us make a better world for our industry!



Contact us

Tel: +86-755-8981 8866 Fax: +86-755-8427 6832

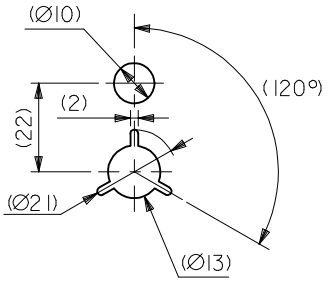
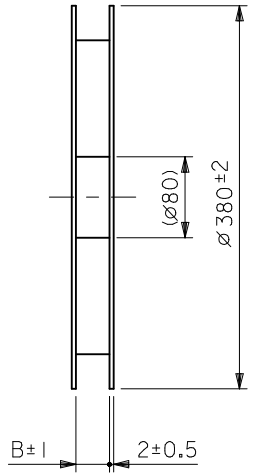
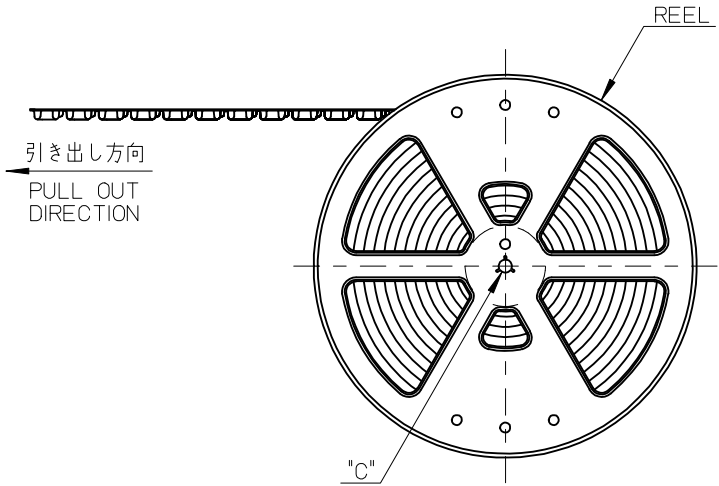
Email & Skype: info@chipsmall.com Web: www.chipsmall.com

Address: A1208, Overseas Decoration Building, #122 Zhenhua RD., Futian, Shenzhen, China

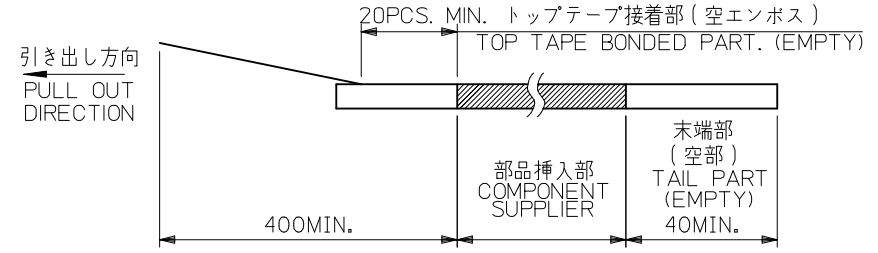


注記 NOTES

- 製品詳細寸法については製品単体図面を参照下さい。
RE DETAILED DIMENSION, SEE PRODUCT DRAWING.
- 梱包数量 : 6000 個/リール
NUMBER OF CONNECTORS : 6000PCS/REEL
- リードテープ長さ LEAD TAPE LENGTH

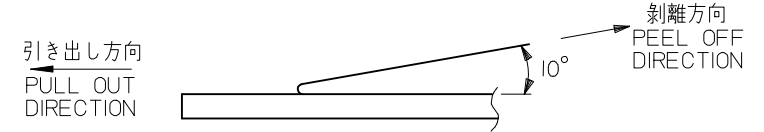


DETAIL "C"



- トップテープの剥離強度 : JES-59 参照
剥離方向は下図参照。

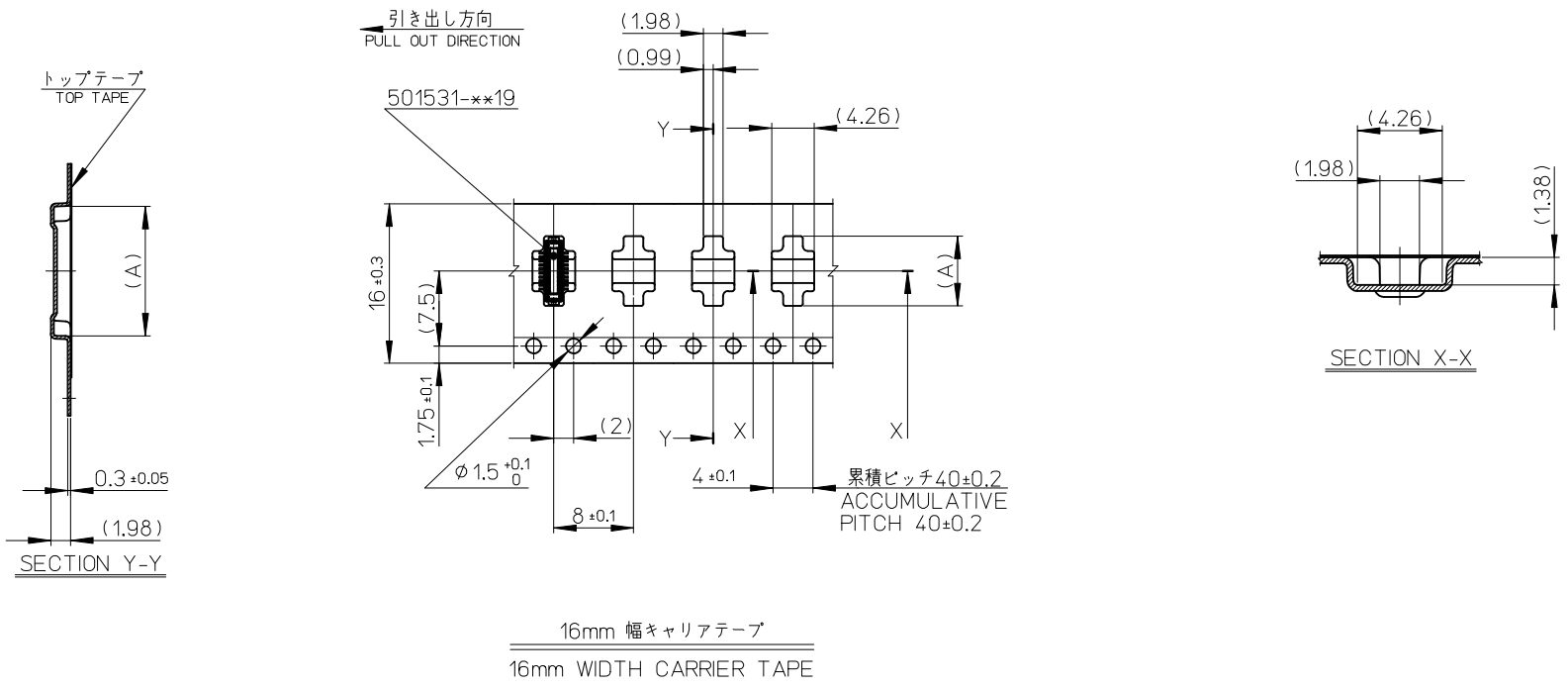
PEELING OFF STRENGTH OF TOP TAPE : REFER TO JES-59
PEELING DIRECTION AS SHOWN IN FOLLOWING FIGURE.



- 材料 MATERIAL

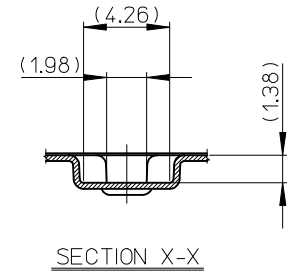
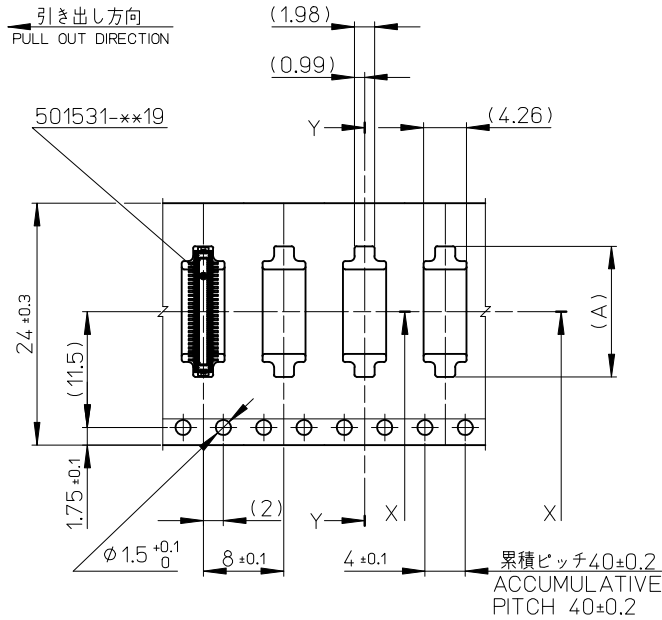
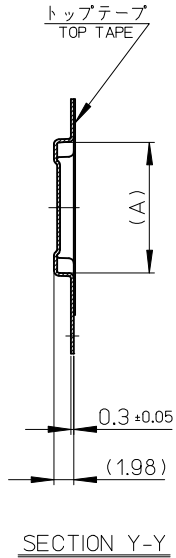
キャリアテープ (CARRIER TAPE) : ポリスチレン (POLYSTYRENE)
 トップテープ (TOP TAPE) : PET, PE, PEF
 リール (REEL) : ポリスチレン (PS) <リサイクル材を含む>
 POLYSTYRENE (PS) <RECYCLE MATERIAL CONTAINED>

REVISED EC NO: J2016-1237 DRWN: MISHIKAWA 2016/06/09 CHKD: Y0110 2016/06/09 APPR: Y0110 2016/06/16	GENERAL TOLERANCES (UNLESS SPECIFIED)		DIMENSION STYLE MM ONLY		SCALE ---	DESIGN UNITS METRIC	MODEL NO. 501531-**10	
	0.25 UNDER	UNDER	±0.03	DRAWN BY RTAKEUCHI	DATE 2005/10/27	TITLE 0.4 B-TO-B CONN. HGT=1.3 PLUG ASSY EMBSTP PKG -LEAD FREE-	THIRD ANGLE PROJECTION	
	0.25 OVER	0.5 UNDER	±0.05	CHECKED BY THIRATA	DATE 2005/10/27	molex	DOCUMENT NO. SD-501531-002	
	0.5 OVER	1.0 UNDER	±0.1	APPROVED BY MSASAO	DATE 2005/10/27			SHEET NO. 1 OF 3
	1.0 OVER	10 UNDER	±---	MATERIAL NO. SEE CHART				
30 OVER		±---	DRAFT WHERE APPLICABLE MUST REMAIN WITHIN DIMENSIONS		THIS DRAWING CONTAINS INFORMATION THAT IS PROPRIETARY TO MOLEX ELECTRONIC TECHNOLOGIES, LLC AND SHOULD NOT BE USED WITHOUT WRITTEN PERMISSION			
ANGULAR		±--- °	SIZE A3					



16	17.5	6.96	501531-0210	20
キャリアテープ幅 CARRIER TAPE WIDTH	B	(A)	MATERIAL No. MODEL No.	CKT. 501531-**10

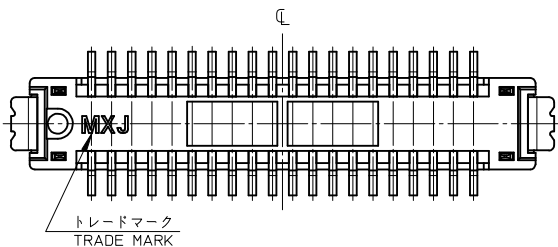
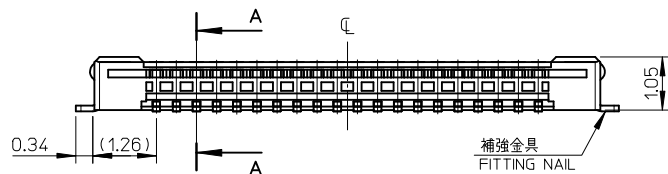
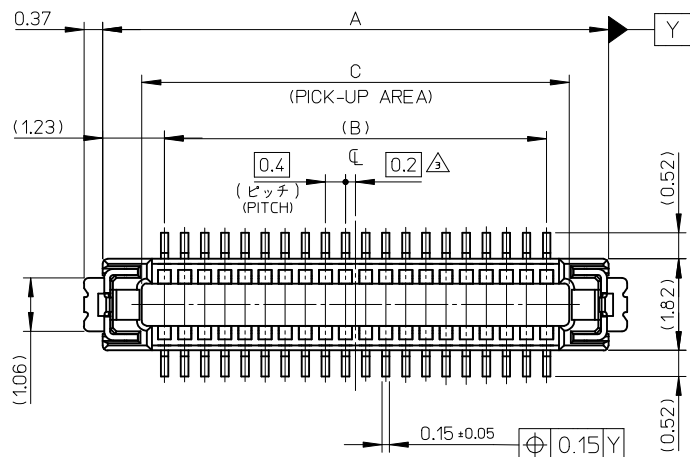
REVISED EC NO: J2016-1237 DRWN: MISHIKAWA 2016/06/09 CHKD: Y0110 2016/06/09 APPR: Y0110 2016/06/16	GENERAL TOLERANCES (UNLESS SPECIFIED)			DIMENSION STYLE MM ONLY		SCALE ---	DESIGN UNITS METRIC	THIRD ANGLE PROJECTION
	0.25 UNDER	UNDER	±0.03	DRAWN BY	DATE	TITLE		
	0.25 OVER	0.5 UNDER	±0.05	RTAKEUCHI	2005/10/27	0.4 B-TO-B CONN. HGT=1.3 PLUG ASSY EMBSTP PKG -LEAD FREE-		
	0.5 OVER	1.0 UNDER	±0.1	THIRATA	2005/10/27			
	1.0 OVER	10 UNDER	±---	APPROVED BY	DATE	molex DOCUMENT NO. SD-501531-002 SHEET NO. 2 OF 3		
10 OVER	30 UNDER	±---	MSASAO	2005/10/27				
30 OVER		±---	MATERIAL NO.		SEE CHART			
ANGULAR	±--- °		DRAFT WHERE APPLICABLE MUST REMAIN WITHIN DIMENSIONS		SIZE A3	THIS DRAWING CONTAINS INFORMATION THAT IS PROPRIETARY TO MOLEX ELECTRONIC TECHNOLOGIES, LLC AND SHOULD NOT BE USED WITHOUT WRITTEN PERMISSION		



24mm 幅キャリアテープ
24mm WIDTH CARRIER TAPE

24	25.5	12.96	501531-0510	50	
		10.96	501531-0410	40	
		9.76	501531-3410	34	
		9.36	501531-3210	32	
		8.96	501531-0310	30	
キャリアテープ幅 CARRIER TAPE WIDTH		B	(A)	MATERIAL No.	CKT.
			MODEL No.	501531-**-10	

REVISED EC NO: J2016-1237 DRWN: MISHIKAWA CHKD: Y0110 APPR: Y0110	2016/06/09 2016/06/09 2016/06/16	GENERAL TOLERANCES (UNLESS SPECIFIED)			DIMENSION STYLE		SCALE	DESIGN UNITS		TITLE 0.4 B-TO-B CONN. HGT=1.3 PLUG ASSY EMBSTP PKG -LEAD FREE- molex DOCUMENT NO. SD-501531-002 SHEET NO. 3 OF 3	
		0.25 UNDER UNDER ±0.03			MM ONLY		---	METRIC			THIRD ANGLE PROJECTION
		0.25 OVER 0.5 UNDER ±0.05			DRAWN BY RTAKEUCHI		DATE 2005/10/27				
		0.5 OVER 1.0 UNDER ±0.1			CHECKED BY THIRATA		DATE 2005/10/27				
		1.0 OVER 10 UNDER ±---			APPROVED BY MSASAO		DATE 2005/10/27				
		30 OVER ±---			MATERIAL NO.						
ANGULAR ±---°			DRAFT WHERE APPLICABLE MUST REMAIN WITHIN DIMENSIONS		SIZE A3		THIS DRAWING CONTAINS INFORMATION THAT IS PROPRIETARY TO MOLEX ELECTRONIC TECHNOLOGIES, LLC AND SHOULD NOT BE USED WITHOUT WRITTEN PERMISSION				



注記 NOTES

1. 使用材料 MATERIAL

ハウジング: 液晶ポリマー (LCP) ガラス充填 UL94V-0 (黒)
HOUSING: LIQUID CRYSTAL POLYMER (GLASS FILLED) UL94V-0 (COLOR:BLACK)

ターミナル: 黄銅 (t=0.1)
TERMINAL: BRASS (t=0.1)

金具: りん青銅 (t=0.12)
FITTING NAIL: PHOSPHOR BRONZE (t=0.12)

2. メッキ仕様 PLATING

ターミナル TERMINAL

コンタクト部: 金メッキ 0.1 マイクロメートル以上
CONTACT AREA: GOLD 0.1 MICROMETER MINIMUM

テール部: 金メッキ
TAIL AREA: GOLD

下地メッキ: ニッケルメッキ 1.5 マイクロメートル以上
UNDER PLATING: NICKEL 1.5 MICROMETER MINIMUM

金具 FITTING NAIL

半田付け処理 (金・パラジウムコート)
SOLDERABILITY IMPROVEMENT COAT (Au & Pd-Ni COAT)

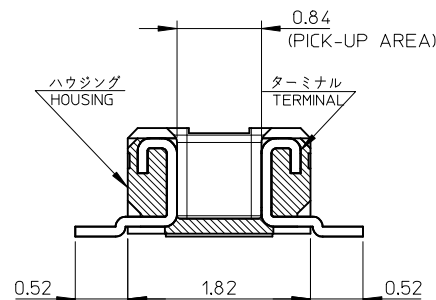
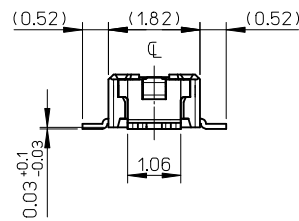
下地メッキ: ニッケルメッキ 1.0 マイクロメートル以上
UNDER PLATING: NICKEL 1.0 MICROMETER MINIMUM

△ (全極数/2) = 偶数の場合に適用。
APPLY FOR (CIRCUIT/2)=EVEN.

4. 嵌合相手: 505225 シリーズ
MATE WITH: 505225 SERIES.

5. テール平坦度は、0.08 以下
テール及び金具の平坦度は、0.1 以下
TAIL COPLANARITY TO BE 0.08 MAXIMUM
TAIL AND FITTING NAIL COPLANARITY TO BE 0.1 MAXIMUM

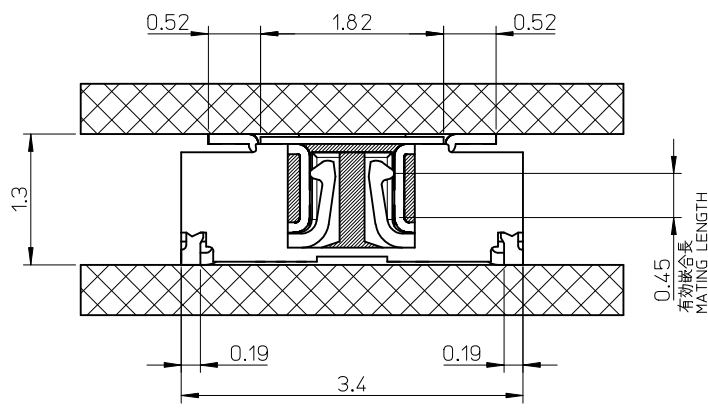
6. ELV & RoHS 適合品。
ELV and RoHS COMPLIANT.



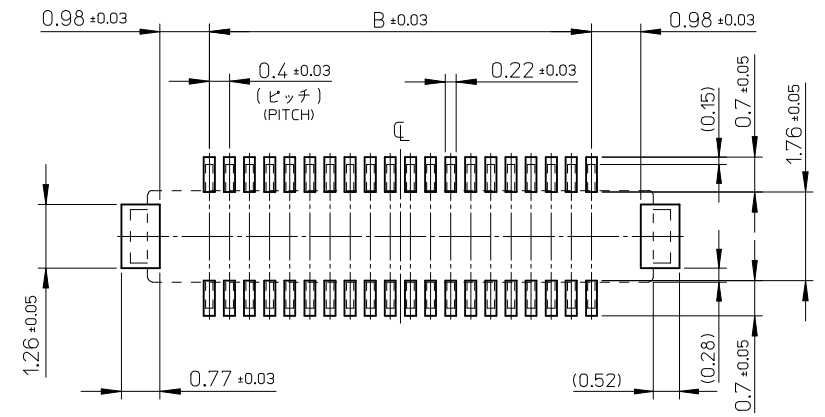
SECTION A-A
SCALE 20:1

18.5	17.6	20.06	505226-0900	90
C	B	A	EMBOSSED PACKAGE	極数
			オーダー番号 ORDER No.	CIRCUITS
CONNECTOR SERIES No.505226-**-09				

RELEASED EC NO: J2015-0069 DRWN: JFURUKAWA 2014/07/14 CHKD: TASAKAWA 2014/07/14 APPR: KMORIKAWA 2014/12/08	DESCRIPTION GENERAL TOLERANCES (UNLESS SPECIFIED) 10 UNDER ±0.2 10 OVER 30 UNDER ±0.25 30 OVER ±0.3 ANGULAR ±3 ° DRAFT WHERE APPLICABLE MUST REMAIN WITHIN DIMENSIONS	DIMENSION STYLE MM ONLY DRAWN BY: JFURUKAWA CHECKED BY: TASAKAWA APPROVED BY: KMORIKAWA DATE: 2014/07/14 DATE: 2014/07/14 DATE: 2014/12/08	SCALE 10:1	DESIGN UNITS METRIC	THIRD ANGLE PROJECTION	TITLE 0.4 B-TO-B CONN. HGT=1.3 PLUG ASSY [OVERMOLD] -LEAD FREE- molex	DOCUMENT NO. SD-505226-001	SHEET NO. 1 OF 2	
									SEE TABLE
									THIS DRAWING CONTAINS INFORMATION THAT IS PROPRIETARY TO MOLEX INCORPORATED AND SHOULD NOT BE USED WITHOUT WRITTEN PERMISSION
									SIZE A3



嵌合断面図 (参考)
MATED DRAWING (REFERENCE)



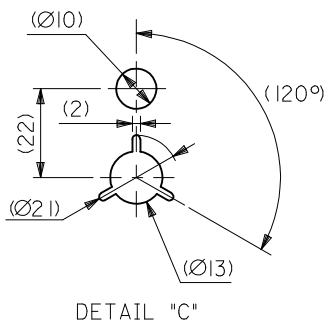
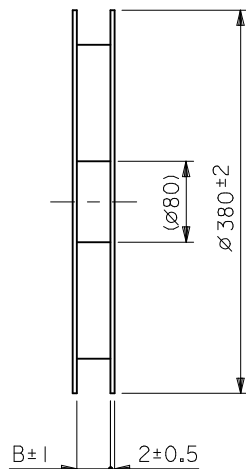
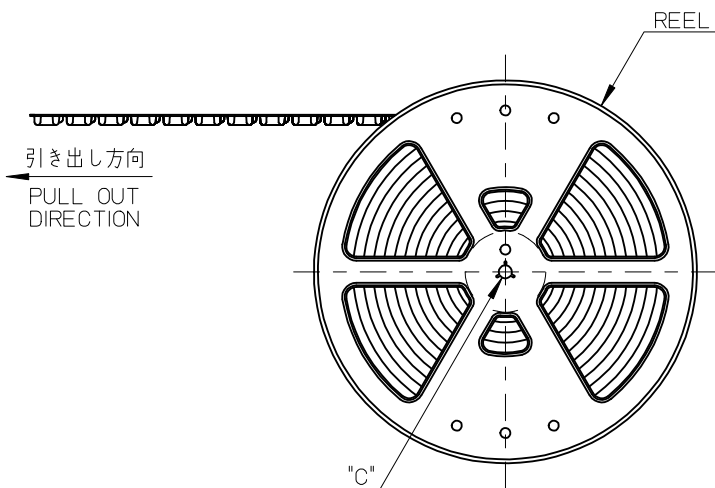
参考基板レイアウト (マウント面)
P.C. BOARD PATTERN DIMENSION (REFERENCE)
(MOUNTING AREA)

メタルマスク厚: 0.1
METAL MASK THICKNESS: 0.1
開口率: 100%
APERTURE RATIO: 100%

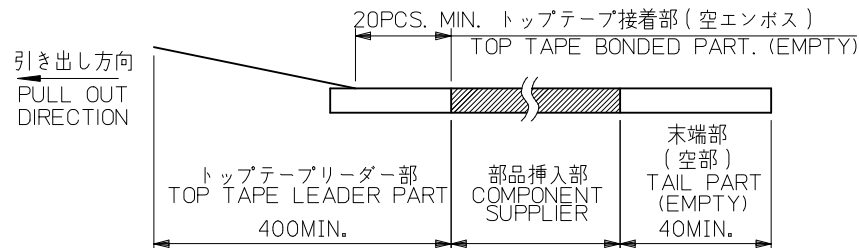
RELEASED EC NO: J2015-0069 DRWN: JFURUKAWA 2014/07/14 CHKD: TASAKAWA 2014/07/14 APPR: KMORIKAWA 2014/12/08	GENERAL TOLERANCES (UNLESS SPECIFIED)		DIMENSION STYLE MM ONLY	SCALE 10:1	DESIGN UNITS METRIC	THIRD ANGLE PROJECTION
	10 UNDER	± 0.2	DRAWN BY JFURUKAWA	DATE 2014/07/14	TITLE 0.4 B-TO-B CONN. HGT=1.3 PLUG ASSY [OVERMOLD] -LEAD FREE-	
	10 OVER 30 UNDER	± 0.25	CHECKED BY TASAKAWA	DATE 2014/07/14		
	30 OVER	± 0.3	APPROVED BY KMORIKAWA	DATE 2014/12/08	molex	
ANGULAR ±3 °		MATERIAL NO. SEE SHEET 1	DOCUMENT NO. SD-505226-001	SHEET NO. 2 OF 2		
DRAFT WHERE APPLICABLE MUST REMAIN WITHIN DIMENSIONS		THIS DRAWING CONTAINS INFORMATION THAT IS PROPRIETARY TO MOLEX INCORPORATED AND SHOULD NOT BE USED WITHOUT WRITTEN PERMISSION				

注記 NOTES

- 製品詳細寸法については SD-505226-001 を参照下さい。
RE DETAILED DIMENSION, SEE SALES DRAWING FOR CONNECTOR.
- 梱包数量: 6000 個/リール
NUMBER OF CONNECTORS : 6000 PCS/REEL
- リードテープ長さ LEAD TAPE LENGTH

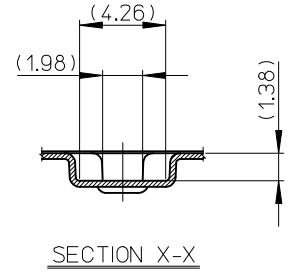
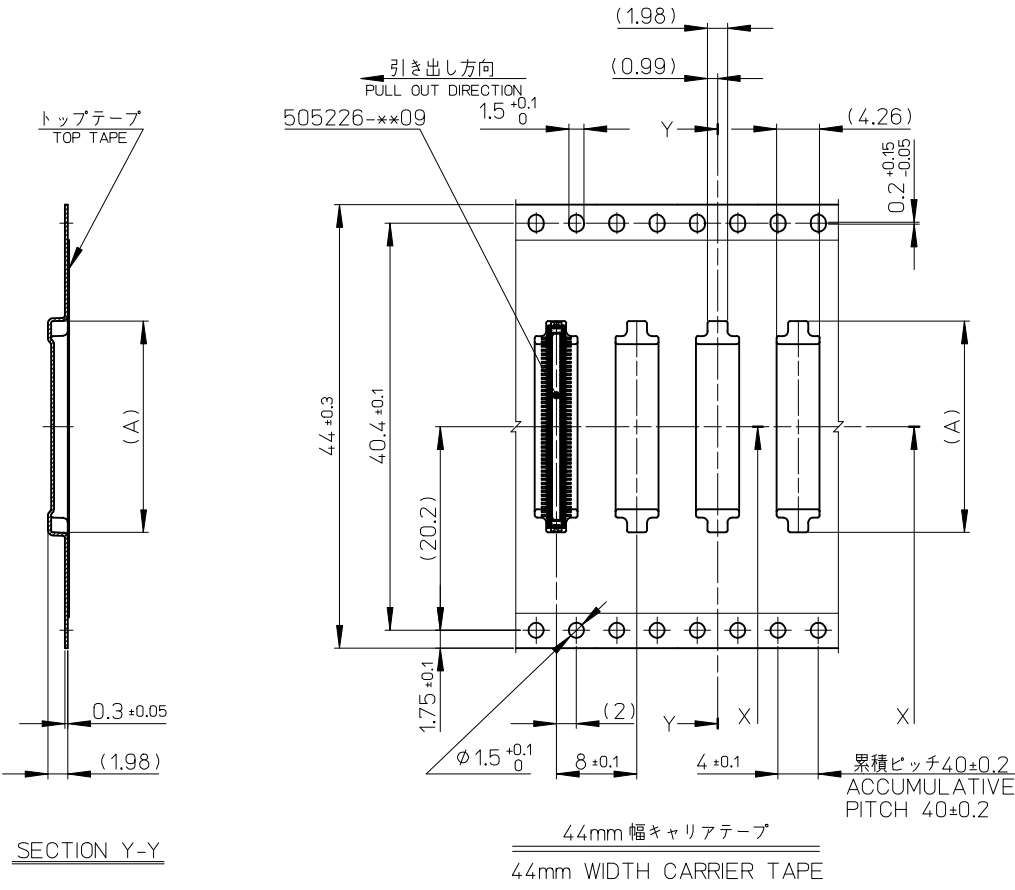


DETAIL "C"



- トップテープの剥離強度については、IEC60286-3 に準拠。
COVER TAPE PEEL FORCE IS DEFINED BY IEC60286-3.
- 材料 MATERIAL
キャリアテープ: ポリスチレン (PS)
CARRIER TAPE: POLYSTYRENE (PS)
トップテープ: PET, PE, PEF
TOP TAPE: PET, PE, PEF
リール: PS <リサイクル材を含む>
REEL: PS <RECYCLE MATERIAL CONTAINED>
- ELV & RoHS 適合品
ELV AND RoHS COMPLIANT.

RELEASED EC NO: J2015-0069 DRWN: JFURUKAWA 2014/07/15 CHKD: TASAKAWA 2014/07/15 APPR: KMORIKAWA 2014/12/08	GENERAL TOLERANCES (UNLESS SPECIFIED)		DIMENSION STYLE MM ONLY		SCALE ---	DESIGN UNITS METRIC	MODEL NO. 505226-***00
	10 UNDER	±---	DRAWN BY JFURUKAWA	DATE 2014/07/15	TITLE 0.4 B-TO-B CONN. HGT=1.3 PLUG ASSY EMBSTP PKG -LEAD FREE-		
	10 OVER 30 UNDER	±---	CHECKED BY TASAKAWA	DATE 2014/07/15			
	30 OVER	±---	APPROVED BY KMORIKAWA	DATE 2014/12/08			
ANGULAR	±---°	MATERIAL NO.		DOCUMENT NO.		SHEET NO.	
DRAFT WHERE APPLICABLE MUST REMAIN WITHIN DIMENSIONS		SEE CHART		SD-505226-002		1 OF 2	
THIS DRAWING CONTAINS INFORMATION THAT IS PROPRIETARY TO MOLEX INCORPORATED AND SHOULD NOT BE USED WITHOUT WRITTEN PERMISSION							



SECTION Y-Y

44mm 幅キャリアテープ
44mm WIDTH CARRIER TAPE

44	45.5	20.96	505226-0900	90
キャリアテープ幅 CARRIER TAPE WIDTH	B	(A)	MATERIAL No.	CKT.
			MODEL No.	505226-**-00

RELEASED EC NO: J2015-0069 DRWN: JFURUKAWA 2014/07/15 CHKD: TASAKAWA 2014/07/15 APPR: KMORIKAWA 2014/12/08 REV: 0	GENERAL TOLERANCES (UNLESS SPECIFIED)	DIMENSION STYLE MM ONLY	SCALE ---	DESIGN UNITS METRIC	THIRD ANGLE PROJECTION
	10 UNDER	±---	DRAWN BY JFURUKAWA	DATE 2014/07/15	TITLE 0.4 B-TO-B CONN. HGT=1.3 PLUG ASSY EMBSTP PKG -LEAD FREE- molex DOCUMENT NO. SD-505226-002 SHEET NO. 2 OF 2
	10 OVER 30 UNDER	±---	CHECKED BY TASAKAWA	DATE 2014/07/15	
	30 OVER	±---	APPROVED BY KMORIKAWA	DATE 2014/12/08	
	ANGULAR	±---°	MATERIAL NO.		
DRAFT WHERE APPLICABLE MUST REMAIN WITHIN DIMENSIONS		SIZE A3	THIS DRAWING CONTAINS INFORMATION THAT IS PROPRIETARY TO MOLEX INCORPORATED AND SHOULD NOT BE USED WITHOUT WRITTEN PERMISSION		