



Chipsmall Limited consists of a professional team with an average of over 10 year of expertise in the distribution of electronic components. Based in Hongkong, we have already established firm and mutual-benefit business relationships with customers from,Europe,America and south Asia,supplying obsolete and hard-to-find components to meet their specific needs.

With the principle of "Quality Parts,Customers Priority,Honest Operation,and Considerate Service",our business mainly focus on the distribution of electronic components. Line cards we deal with include Microchip,ALPS,ROHM,Xilinx,Pulse,ON,Everlight and Freescale. Main products comprise IC,Modules,Potentiometer,IC Socket,Relay,Connector.Our parts cover such applications as commercial,industrial, and automotives areas.

We are looking forward to setting up business relationship with you and hope to provide you with the best service and solution. Let us make a better world for our industry!



## Contact us

Tel: +86-755-8981 8866 Fax: +86-755-8427 6832

Email & Skype: info@chipsmall.com Web: www.chipsmall.com

Address: A1208, Overseas Decoration Building, #122 Zhenhua RD., Futian, Shenzhen, China





## SALES PACKAGING SPECIFICATION



LANGUAGE
JAPANESE
ENGLISH

1. 製品名称 : 501591-\*\*00,-\*\*10 エンボステーピング梱包 (0.4 B/B H=0.9 W=3.4 RECEPTACLE HOUSING ASSY)

PRODUCT NAME: 501591-\*\*00,-\*\*10 EMBOSS TAPE PACKAGING

製品番号 : 501591-\*\*-01

PART NUMBER: 501591-\*\*-11

(\*\*は極数を示す)

(\*\*IS CIRCUITS SIZE)

2. 標準梱包数

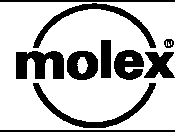
STANDARD PACK QUANTITY

極数 CKT.	キャリア テープ幅 (mm) CARRIER TAPE WIDTH (mm)	1 リール中の製品数 QTY. PER REEL	外装カートン SHIPPING CARTON	
			梱包リール数 NUMBER OF REELS	製品数 QUANTITY
10	16	3,000	8 (4)	24,000 (12,000)
12				
20	24	3,000	6 (3)	18,000 (9,000)
22				
24				
26				
30				
34				
40				
44				
50	32	3,000	4 (2)	12,000 (6,000)
54				
70				

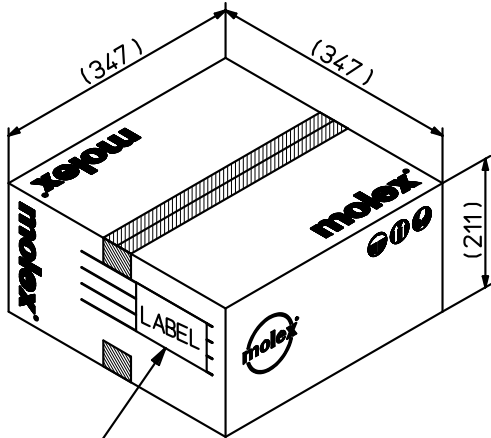
注 : ( ) 内の数は、少量出荷用カートンを用いた場合の梱包数。

NOTE:“( )”NUMBERS ARE APPLICABLE FOR SMALL LOT. SHIPMENT.

REV.	D				
SHEET	1~2				
REVISE ON PC ONLY		TITLE:			
<b>D</b>	変更 REVISED J2010-1802 '10/03/08 R.TSURUOKA		501591梱包仕様書 SALES PACKAGING SPEC. FOR 501591		
	THIS DOCUMENT CONTAINS INFORMATION THAT IS PROPRIETARY TO MOLEX INC. AND SHOULD NOT BE USED WITHOUT WRITTEN PERMISSION				
REV.	DESCRIPTION		WRITTEN BY:	CHECKED BY:	APPROVED BY:
	DESIGN CONTROL J	STATUS	T.SUZUKI	T.HARUYAMA	N.UKITA
DOCUMENT NUMBER			DATE : YR/MO/DAY		
<b>SPK-501591-001</b>			2006/06/07		
FILE NAME			SHEET		
SPK501591001.doc			1 of 2		



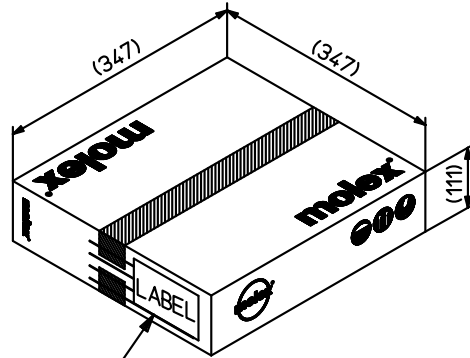
3. カートン外形参考寸法  
CARTON OUTER DIMENSIONS (REFERENCE PURPOSE ONLY)



カートンラベル  
CARTON LABEL

(製品型番, 数量, ロットNO. 表示)  
INDICATION OF PART No., QUANTITY, LOT No.

標準カートン  
STANDARD CARTON



カートンラベル  
CARTON LABEL

(製品型番, 数量, ロットNO. 表示)  
INDICATION OF PART No., QUANTITY, LOT No.

少量出荷用カートン  
FOR SMALL LOT SHIPMENT

	REVISE ON PC ONLY		TITLE:  501591梱包仕様書 SALES PACKAGING SPEC. FOR 501591
	<b>D</b>	SEE SHEET 1 OF 2	
	REV.	DESCRIPTION	THIS DOCUMENT CONTAINS INFORMATION THAT IS PROPRIETARY TO MOLEX INC. AND SHOULD NOT BE USED WITHOUT WRITTEN PERMISSION
DOCUMENT NUMBER <b>SPK-501591-001</b>			FILE NAME SPK501591001.doc
			SHEET 2 of 2