



Chipsmall Limited consists of a professional team with an average of over 10 year of expertise in the distribution of electronic components. Based in Hongkong, we have already established firm and mutual-benefit business relationships with customers from,Europe,America and south Asia,supplying obsolete and hard-to-find components to meet their specific needs.

With the principle of "Quality Parts,Customers Priority,Honest Operation,and Considerate Service",our business mainly focus on the distribution of electronic components. Line cards we deal with include Microchip,ALPS,ROHM,Xilinx,Pulse,ON,Everlight and Freescale. Main products comprise IC,Modules,Potentiometer,IC Socket,Relay,Connector.Our parts cover such applications as commercial,industrial, and automotives areas.

We are looking forward to setting up business relationship with you and hope to provide you with the best service and solution. Let us make a better world for our industry!



Contact us

Tel: +86-755-8981 8866 Fax: +86-755-8427 6832

Email & Skype: info@chipsmall.com Web: www.chipsmall.com

Address: A1208, Overseas Decoration Building, #122 Zhenhua RD., Futian, Shenzhen, China



10 9 8 7 6 5 4 3 2 1

F

E

D

C

B

A

F

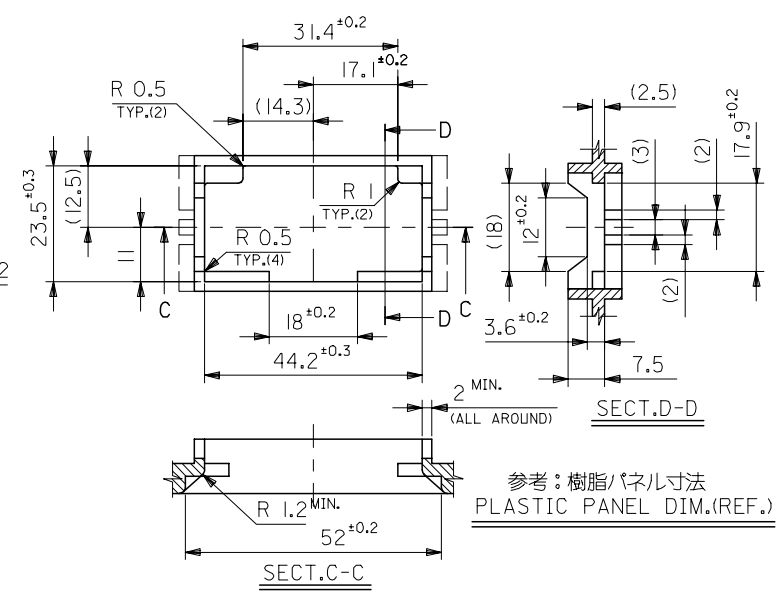
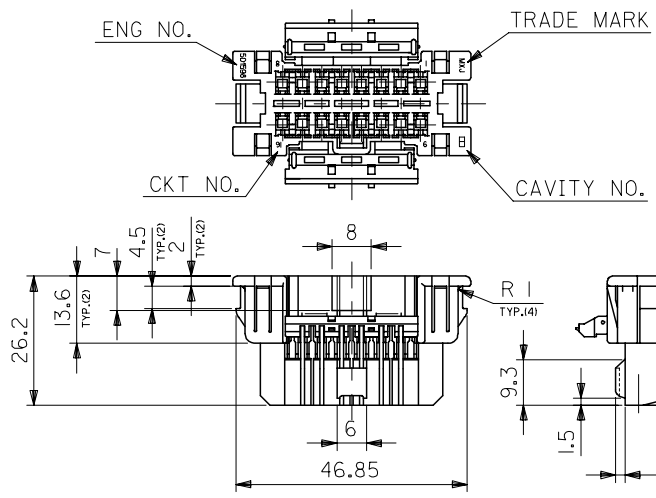
E

D

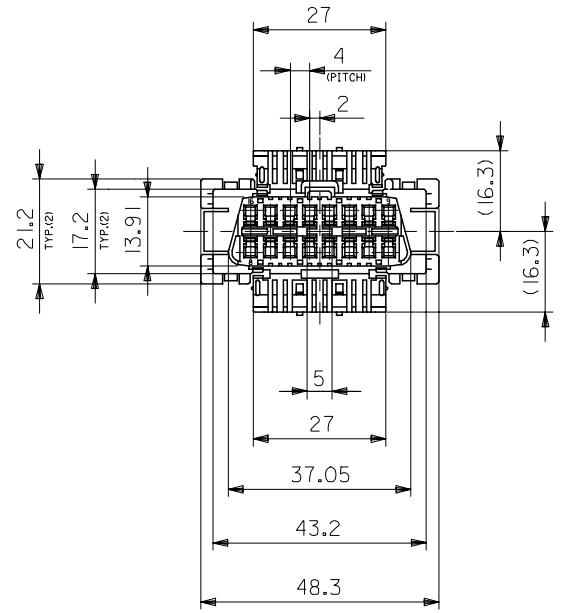
C

B

A



参考：樹脂パネル寸法
PLASTIC PANEL DIM.(REF.)



注記
NOTES

- 適合ターミナル:50695-8*00, 56056-0005
APPLICABLE TERMINAL:50695-8*00, 56056-0005
- 材料: PBT(NON-FILLER) UL94HB, BLUE
MATERIAL:

RELEASED EC NO: J2005-2288 DRWN:SHIBATA 2005/02/08 CHKD:TAITO 2005/02/08 APPR:KANESHIGE 2005/02/22	GENERAL TOLERANCES (UNLESS SPECIFIED)		DIMENSION STYLE MM ONLY		SCALE 1:1	DESIGN UNITS METRIC	THIRD ANGLE PROJECTION		
	10 UNDER	±0.2	DRAWN BY SH.SHIBATA		DATE 05/2/4	TITLE 4.0 W/W CONN. REC. HSG. WITH MOUNTING EARS (OBD-II 24V)			
	10 OVER 30 UNDER	±0.25	CHECKED BY TA. ITO		DATE 05/2/4				
	30 OVER	±0.3	APPROVED BY A. KANESHIGE		DATE 05/2/4	MOLEX INCORPORATED			
	ANGULAR ±3 °		MATERIAL NO. 501598-1604		DOCUMENT NO. SD-501598-001				
DRAFT WHERE APPLICABLE MUST REMAIN WITHIN DIMENSIONS		THIS DRAWING CONTAINS INFORMATION THAT IS PROPRIETARY TO MOLEX INCORPORATED AND SHOULD NOT BE USED WITHOUT WRITTEN PERMISSION							