



Chipsmall Limited consists of a professional team with an average of over 10 year of expertise in the distribution of electronic components. Based in Hongkong, we have already established firm and mutual-benefit business relationships with customers from,Europe,America and south Asia,supplying obsolete and hard-to-find components to meet their specific needs.

With the principle of “Quality Parts,Customers Priority,Honest Operation,and Considerate Service”,our business mainly focus on the distribution of electronic components. Line cards we deal with include Microchip,ALPS,ROHM,Xilinx,Pulse,ON,Everlight and Freescale. Main products comprise IC,Modules,Potentiometer,IC Socket,Relay,Connector.Our parts cover such applications as commercial,industrial, and automotives areas.

We are looking forward to setting up business relationship with you and hope to provide you with the best service and solution. Let us make a better world for our industry!



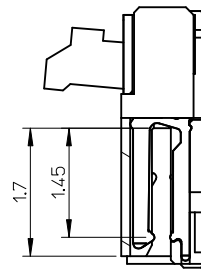
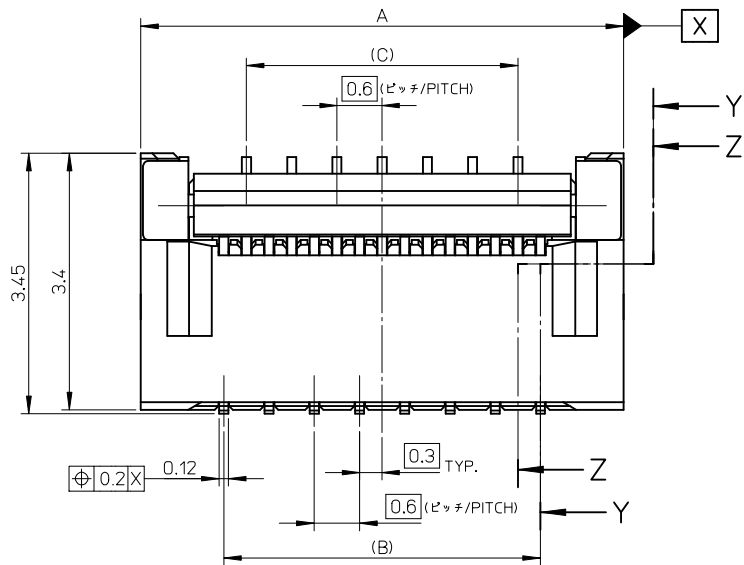
## Contact us

Tel: +86-755-8981 8866 Fax: +86-755-8427 6832

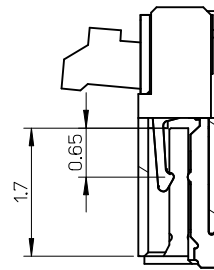
Email & Skype: info@chipsmall.com Web: www.chipsmall.com

Address: A1208, Overseas Decoration Building, #122 Zhenhua RD., Futian, Shenzhen, China

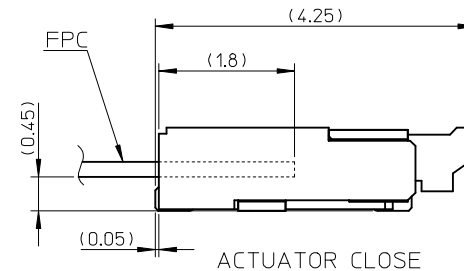
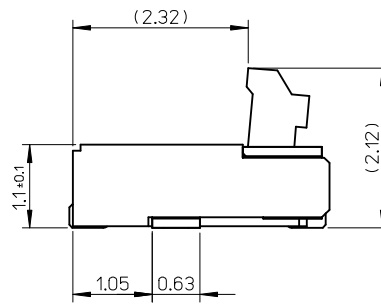
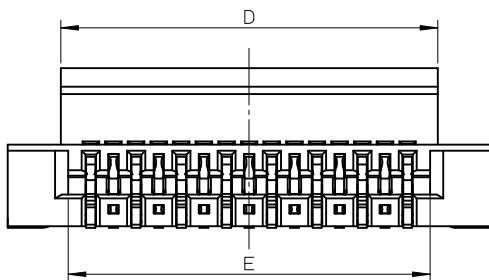




SECTION Z-Z



SECTION Y-Y



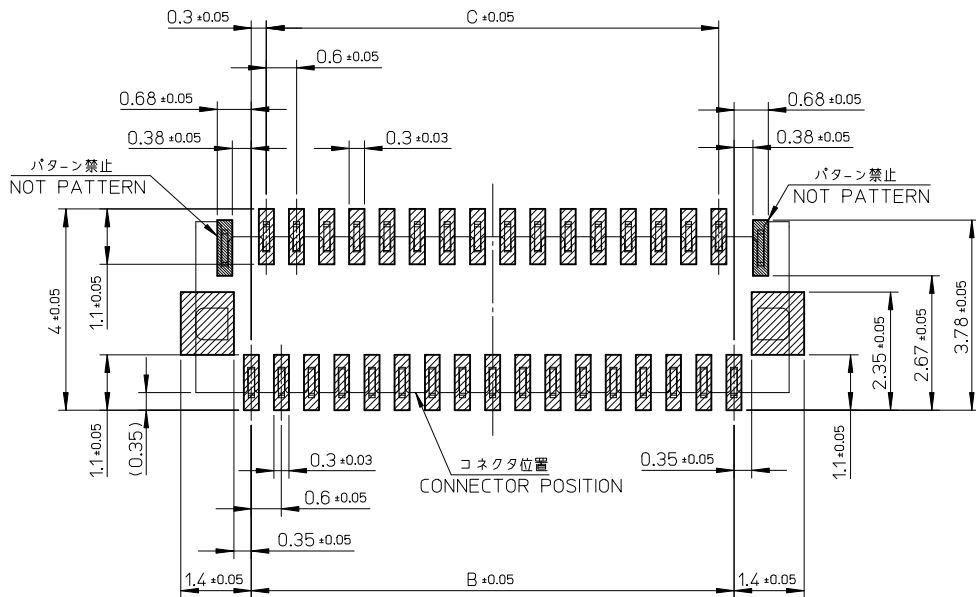
ACTUATOR CLOSE

15.6	15.8	14.4	15.0	17.2	501616-5185	501616-5150	51
13.8	14.0	12.6	13.2	15.4	501616-4585	501616-4550	45
12.6	12.8	11.4	12.0	14.2	501616-4185	501616-4150	41
12.0	12.2	10.8	11.4	13.6	501616-3985	501616-3950	39
10.8	11.0	9.6	10.2	12.4	501616-3585	501616-3550	35
E	D	(C)	(B)	A	EMBOSSED TAPE ORDER No.		MATERIAL NO. CIRCUIT

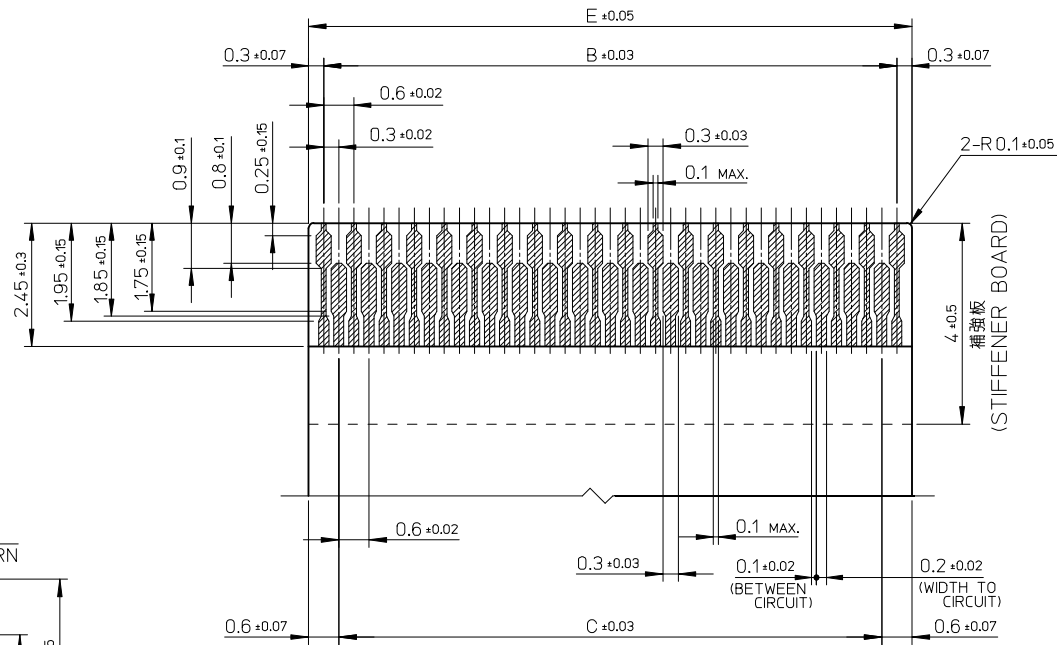
部品構成

- ハウジング・・・材質：耐熱性樹脂 黒色 UL94V-0  
HOUSING MATERIAL :HEAT RESISTANT POLYMER BLACK UL94-V0
- 奇数ターミナル・・・材質：銅合金  
ODD TERMINAL MATERIAL :COPPER ALLOY  
処理：ニッケル下地部分金メッキ（接触部及びテール部）  
FINISH :PARTLY GOLD(CONTACT,TAIL) OVER NICKEL PLATING
- 偶数ターミナル・・・材質：銅合金  
EVEN TERMINAL MATERIAL:COPPER ALLOY  
処理：ニッケル下地部分金メッキ（接触部及びテール部）  
FINISH :PARTLY GOLD(CONTACT,TAIL) OVER NICKEL PLATING
- アクチュエータ・・・材質：耐熱性樹脂 灰色 UL94V-0  
ACTUATOR MATERIAL :HEAT RESISTANT POLYMER GRAY UL94-V0
- ネイル・・・材質：銅合金  
NAIL MATERIAL:COPPER ALLOY  
処理：ニッケル下地すずめっき  
FINISH :TIN OVER NICKEL PLATING

REVISED EC NO: J2015-1263 DRAWN:TAKAHASHI 2015/03/27 CHKD:KATAHASHI 2015/03/27 APPR:YNOGAWA 2015/03/30	DESCRIPTION	GENERAL TOLERANCES (UNLESS SPECIFIED)	DIMENSION STYLE	SCALE	DESIGN UNITS	THIRD ANGLE PROJECTION
		0.25 UNDER ±0.03	MM ONLY	15:1	METRIC	
		0.25 OVER 0.5 UNDER ±0.05	DRAWN BY DATE	TITLE		
		0.5 OVER 1.0 UNDER ±0.1	K.SATO 2007/01/26	0.3 FPC CONN. E/O H=1.1 HSG ASSY LONG ACTUATOR		
		1.0 OVER 10 UNDER ±0.2	CHECKED BY DATE	DOCUMENT NO.		
	10 OVER 30 UNDER ±0.25	H.HIRATA 2007/01/26	SD-501616-007		SHEET NO.	
	30 OVER ±0.3	APPROVED BY DATE	SEE CHART		1 OF 2	
	ANGULAR ±3 °	M.SASAO 2007/01/26	THIS DRAWING CONTAINS INFORMATION THAT IS PROPRIETARY TO MOLEX INCORPORATED AND SHOULD NOT BE USED WITHOUT WRITTEN PERMISSION			
	DRAFT WHERE APPLICABLE MUST REMAIN WITHIN DIMENSIONS	MATERIAL NO.				



参考基板レイアウト(マウント面)  
P.C.BOARD PATTERN  
DIM.(REF.)



適合FPC推奨寸法  
仕上がり厚さ : 0.2±0.03  
APPLY FPC  
RECOMMENDED DIM.  
THICKNESS : 0.2±0.03

15.6	14.4	15.0	501616-5185	501616-5150	51
13.8	12.6	13.2	501616-4585	501616-4550	45
12.6	11.4	12.0	501616-4185	501616-4150	41
12.0	10.8	11.4	501616-3985	501616-3950	39
10.8	9.6	10.2	501616-3585	501616-3550	35
E	C	B	EMBOSSED TAPE ORDER No.		MATERIAL NO. CIRCUIT

- 注記
- 基板実装前にアクチュエータを操作しないで下さい。  
PLEASE DO NOT OPERATE THE ACTUATOR BEFORE MOUNTING.  
必ず基板に実装し、FPCを挿入してからアクチュエータを操作して下さい。  
PLEASE OPERATE THE ACTUATOR AFTER MOUNTING ON THE SUBSTRATE,AND MATING FPC.
  - ELV及びRoHS適合品  
ELV AND RoHS COMPLIANT
  - 本製品は上面接触品です。下面接続で使用しないでください。  
THIS CONNECTOR IS UPPER CONTACT TYPE.  
PLEASE DO NOT USE AS LOWER CONTACT TYPE.

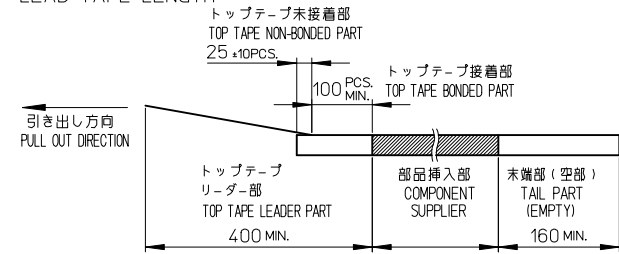
REVISED EC NO: J2015-1263 DRWN:MTAKAHASHI 04/2015/03/27 CHKD:K.TAKAHASHI 2015/03/27 APPR:YNOGAWA 2015/03/30	GENERAL TOLERANCES (UNLESS SPECIFIED)		DIMENSION STYLE MM ONLY		SCALE 10:1	DESIGN UNITS METRIC	THIRD ANGLE PROJECTION
	0.25 UNDER	±0.03	DRAWN BY K.SATO	DATE 2007/01/26	TITLE 0.3 FPC CONN. E/O H=1.1 HSG ASSY LONG ACTUATOR		
	0.25 OVER 0.5 UNDER	±0.05	CHECKED BY H.HIRATA	DATE 2007/01/26			
	0.5 OVER 1.0 UNDER	±0.1	APPROVED BY M.SASAO	DATE 2007/01/26			
1.0 OVER 10 UNDER	±0.2	MATERIAL NO.		DOCUMENT NO. SD-501616-007	SHEET NO. 2 OF 2		
10 OVER 30 UNDER	±0.25	SEE CHART		THIS DRAWING CONTAINS INFORMATION THAT IS PROPRIETARY TO MOLEX INCORPORATED AND SHOULD NOT BE USED WITHOUT WRITTEN PERMISSION			
30 OVER	±0.3	DRAFT WHERE APPLICABLE MUST REMAIN WITHIN DIMENSIONS					

NOTES

1. 製品 (501616-\*\*50) の詳細寸法については、  
図面 SD-501616-007 をご参照下さい。  
IN THE PACKAGE, PART NO. 501616-\*\*50 DETAILED DIMENSIONS,  
REFER TO SALES DRAWING NO. SD-501616-007.

2. 梱包数量 : 3000個/リール  
NUMBER OF CONNECTORS : 3000 PCS/REEL

3. リードテープ長さ  
LEAD TAPE LENGTH



4. 材料

キャリアテープ : ポリスチレン (PS)  
トップテープ : PET, PE, PEF  
リール : ポリスチレン (PS) <リサイクル材を含む>

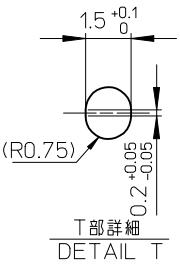
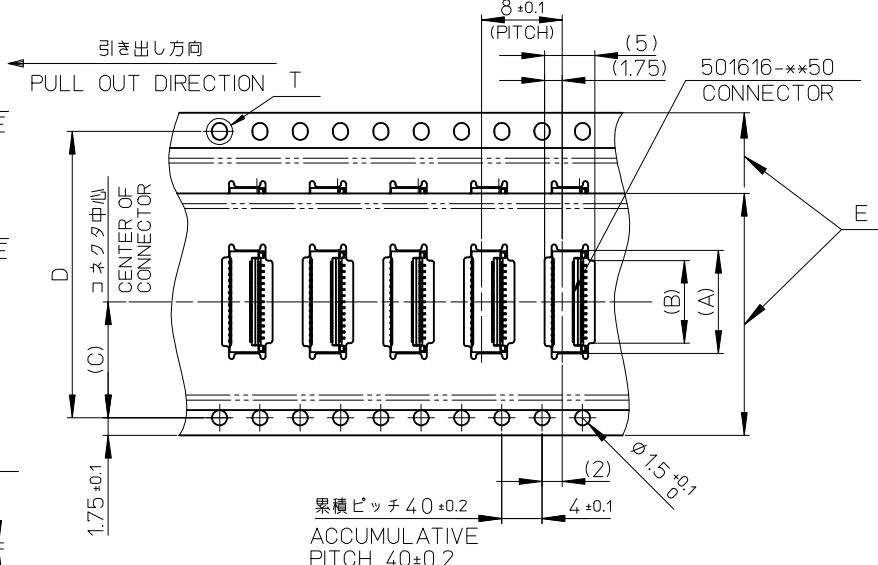
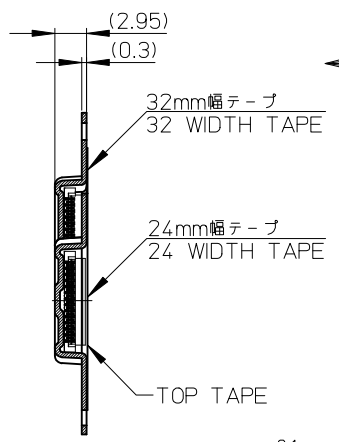
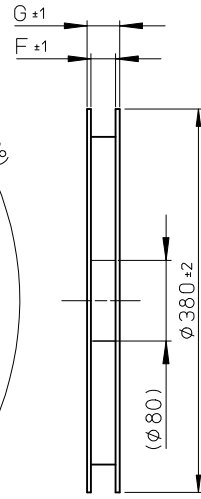
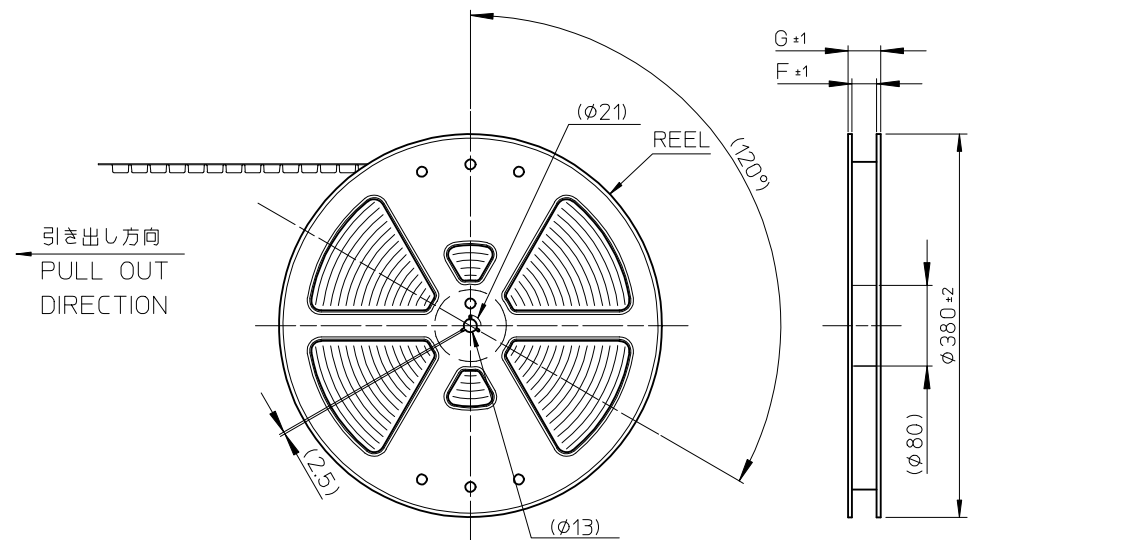
MATERIAL

CARRIER TAPE : POLYSTYRENE (PS)  
TOP TAPE : PET, PE, PEF  
REEL : POLYSTYRENE (PS) <RECYCLE MATERIAL CONTAINED>

5. ELV及びRoHS適合品

ELV AND RoHS COMPLIANT

37.4	33.4	32±0.3	28.4	14.2	15.4	17.4	501616-5185	51
					13.6	15.6	501616-4585	45
29.4	25.4	24±0.3	22	11.5	12.4	14.4	501616-4185	41
					11.8	13.8	501616-3985	39
					10.6	12.6	501616-3585	35
G	F	E	D	C	B	A	EMBOSSED PACKAGE	極数
							オーダー番号	ORDER No.
								CIRCUIT



エンボステープ内の製品の向き  
DIRECTION OF CONNECTOR IN  
EMBOSSED TAPE

REVISED	EC NO. J2009-1784	2009/01/26	DRWN:MKAWABATA
	CHKD:HSHIROYAMA	2009/01/26	APPR:HSHIROYAMA
	REV	DESCRIPTION	

GENERAL TOLERANCES (UNLESS SPECIFIED)	
10 UNDER	± ---
10 OVER 30 UNDER	± ---
30 OVER	± ---
ANGULAR	± --- °
DRAFT WHERE APPLICABLE MUST REMAIN WITHIN DIMENSIONS	

DIMENSION STYLE MM ONLY	
DRAWN BY	DATE
CHECKED BY	DATE
APPROVED BY	DATE
MATERIAL NO.	
SEE CHART	
SIZE	A3

SCALE	DESIGN UNITS	THIRD ANGLE PROJECTION
---	METRIC	
TITLE		
0.3 FPC CONN. H=1.1 EMBSTP PKG (LONG-ACT)		
MOLEX INCORPORATED		
DOCUMENT NO.	SHEET NO.	
SD-501616-008	1 OF 1	