



Chipsmall Limited consists of a professional team with an average of over 10 year of expertise in the distribution of electronic components. Based in Hongkong, we have already established firm and mutual-benefit business relationships with customers from,Europe,America and south Asia,supplying obsolete and hard-to-find components to meet their specific needs.

With the principle of “Quality Parts,Customers Priority,Honest Operation,and Considerate Service”,our business mainly focus on the distribution of electronic components. Line cards we deal with include Microchip,ALPS,ROHM,Xilinx,Pulse,ON,Everlight and Freescale. Main products comprise IC,Modules,Potentiometer,IC Socket,Relay,Connector.Our parts cover such applications as commercial,industrial, and automotives areas.

We are looking forward to setting up business relationship with you and hope to provide you with the best service and solution. Let us make a better world for our industry!



## Contact us

Tel: +86-755-8981 8866 Fax: +86-755-8427 6832

Email & Skype: info@chipsmall.com Web: www.chipsmall.com

Address: A1208, Overseas Decoration Building, #122 Zhenhua RD., Futian, Shenzhen, China



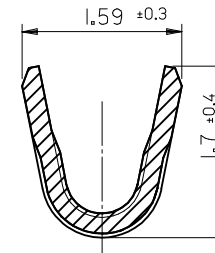
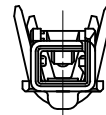
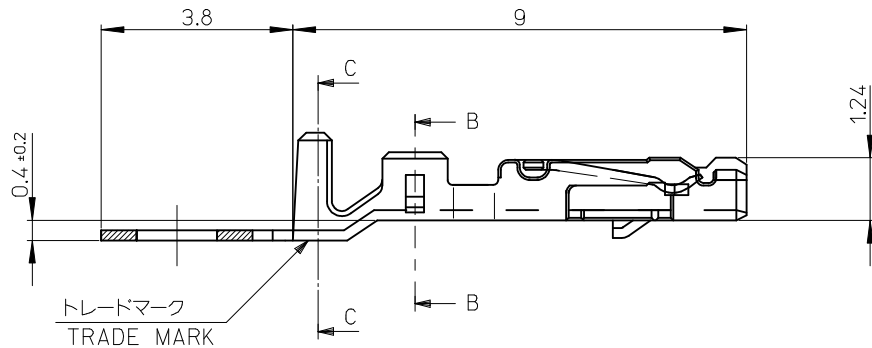
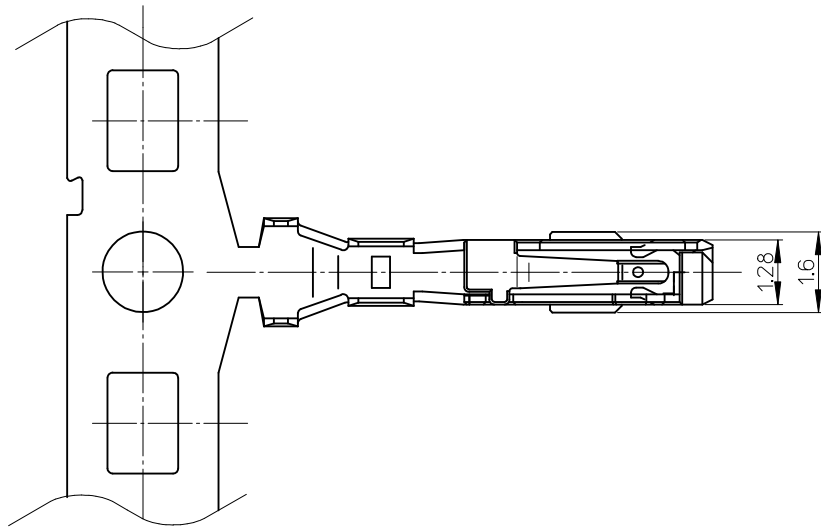
注記  
NOTES

1. 使用材料 : 銅合金, 錫メッキ (t=0.2)  
MATERIAL : REFLOWED TIN COPPER ALLOY
2. 適合ハウジング : 501646 シリーズ  
APPLICABLE HOUSING : 501646 SERIES
3. 電線仕様  
CABLE SPEC.  
AWG : #22~26  
適用電線範囲 : 0.126~0.34mm<sup>2</sup>  
WIRE RANGE  
被覆外形 :  $\Phi 0.95 \sim \Phi 1.5\text{mm}$   
INS. RANGE

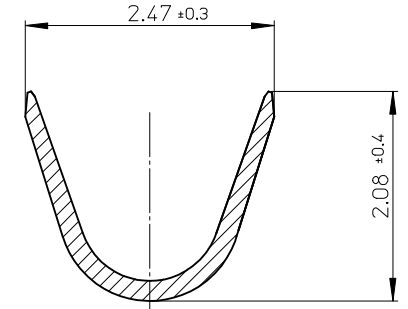
4. 嵌合相手 MATES WITH

PLUG ST HEADER (TIN PLATING)	501645 SERIES
PLUG R/A HEADER (TIN PLATING)	501876 SERIES

5. ELV 及び RoHS 適合品  
ELV AND RoHS COMPLIANT.



SECTION B-B  
(SCALE:20-1)



SECTION C-C  
(SCALE:20-1)

501647-1100	バラ状 LOOSE
501647-1000	連鎖状 CHAIN
MATERIAL NO.	端子形状 FORM

REVISED EC NO: J2017-0032 DRWN: AIDA 2016/07/04 CHKD: SAKIYAMA 2016/07/04 APPR: IKANEKO 2016/07/12	GENERAL TOLERANCES (UNLESS SPECIFIED)			DIMENSION STYLE MM ONLY		SCALE 10:1	DESIGN UNITS METRIC	THIRD ANGLE PROJECTION
	0.25 UNDER	UNDER	±0.03	DRAWN BY N. ITO	DATE '05/07/04	TITLE IGRID 2.0MM W/B DUAL RCPT TERM AWG #22 - 26 <b>molex</b> DOCUMENT NO. SD-501647-001 SHEET NO. 1 OF 1		
	0.25 OVER	0.5 UNDER	±0.05	CHECKED BY ASAKAWA	DATE '05/07/04			
	0.5 OVER	1.0 UNDER	±0.1	APPROVED BY ICHIKAWA	DATE '05/07/04			
	1.0 OVER	10 UNDER	±0.2	MATERIAL NO. 501647-1*00				
10 OVER	30 UNDER	±0.25						
30 OVER		±0.3	DRAFT WHERE APPLICABLE MUST REMAIN WITHIN DIMENSIONS			SIZE A3	THIS DRAWING CONTAINS INFORMATION THAT IS PROPRIETARY TO MOLEX ELECTRONIC TECHNOLOGIES, LLC AND SHOULD NOT BE USED WITHOUT WRITTEN PERMISSION	