



Chipsmall Limited consists of a professional team with an average of over 10 year of expertise in the distribution of electronic components. Based in Hongkong, we have already established firm and mutual-benefit business relationships with customers from,Europe,America and south Asia,supplying obsolete and hard-to-find components to meet their specific needs.

With the principle of “Quality Parts,Customers Priority,Honest Operation,and Considerate Service”,our business mainly focus on the distribution of electronic components. Line cards we deal with include Microchip,ALPS,ROHM,Xilinx,Pulse,ON,Everlight and Freescale. Main products comprise IC,Modules,Potentiometer,IC Socket,Relay,Connector.Our parts cover such applications as commercial,industrial, and automotives areas.

We are looking forward to setting up business relationship with you and hope to provide you with the best service and solution. Let us make a better world for our industry!



Contact us

Tel: +86-755-8981 8866 Fax: +86-755-8427 6832

Email & Skype: info@chipsmall.com Web: www.chipsmall.com

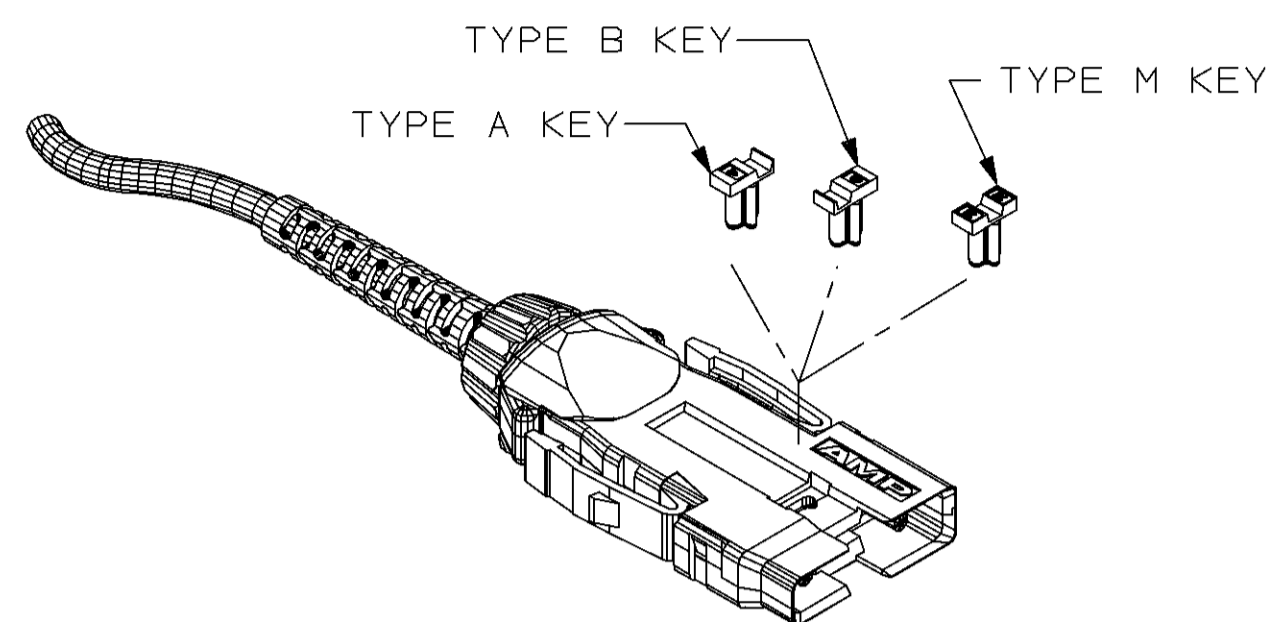
Address: A1208, Overseas Decoration Building, #122 Zhenhua RD., Futian, Shenzhen, China



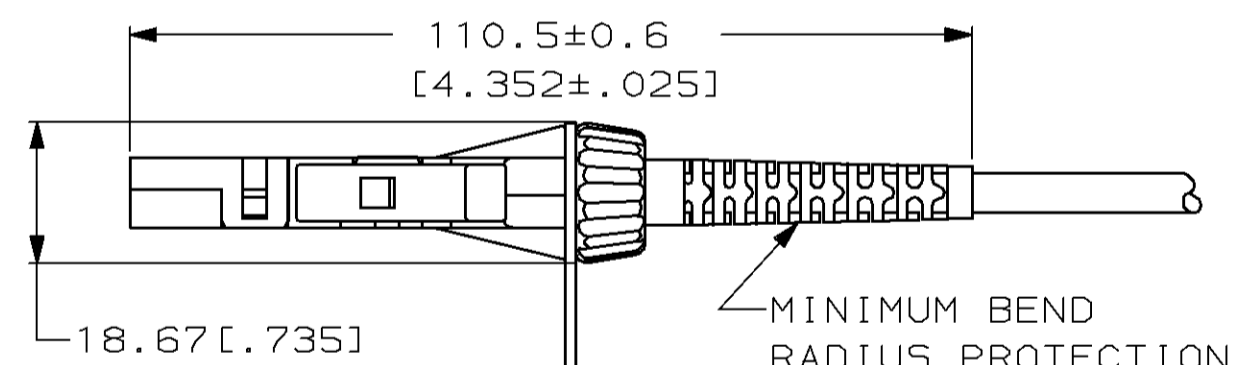
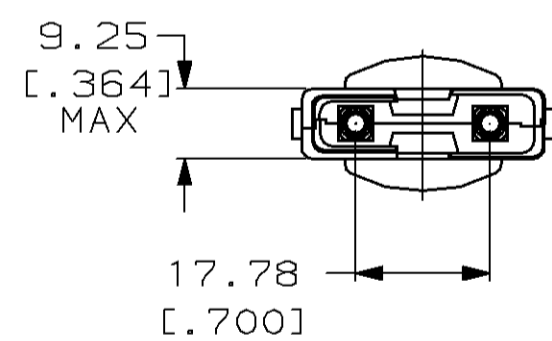
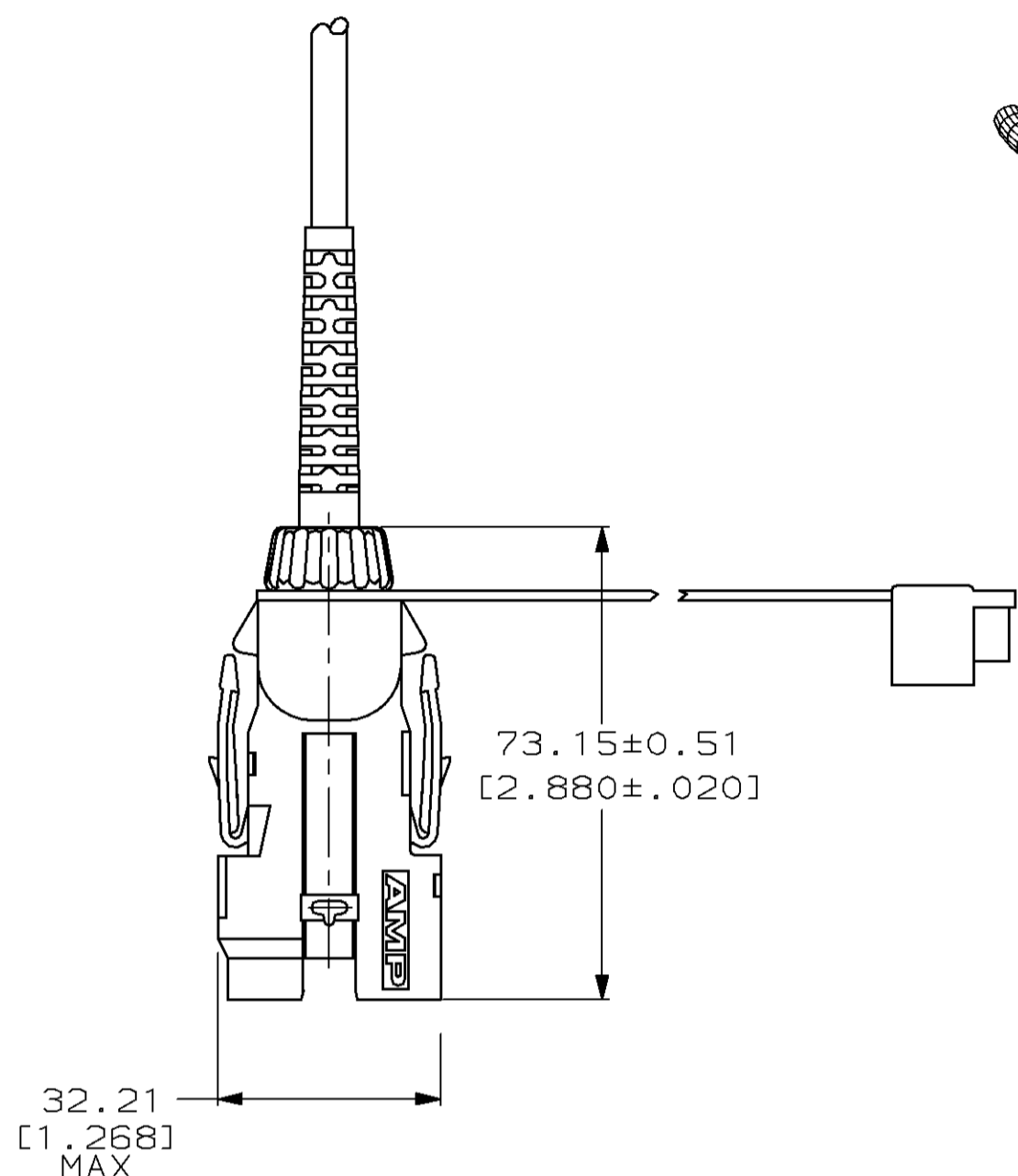
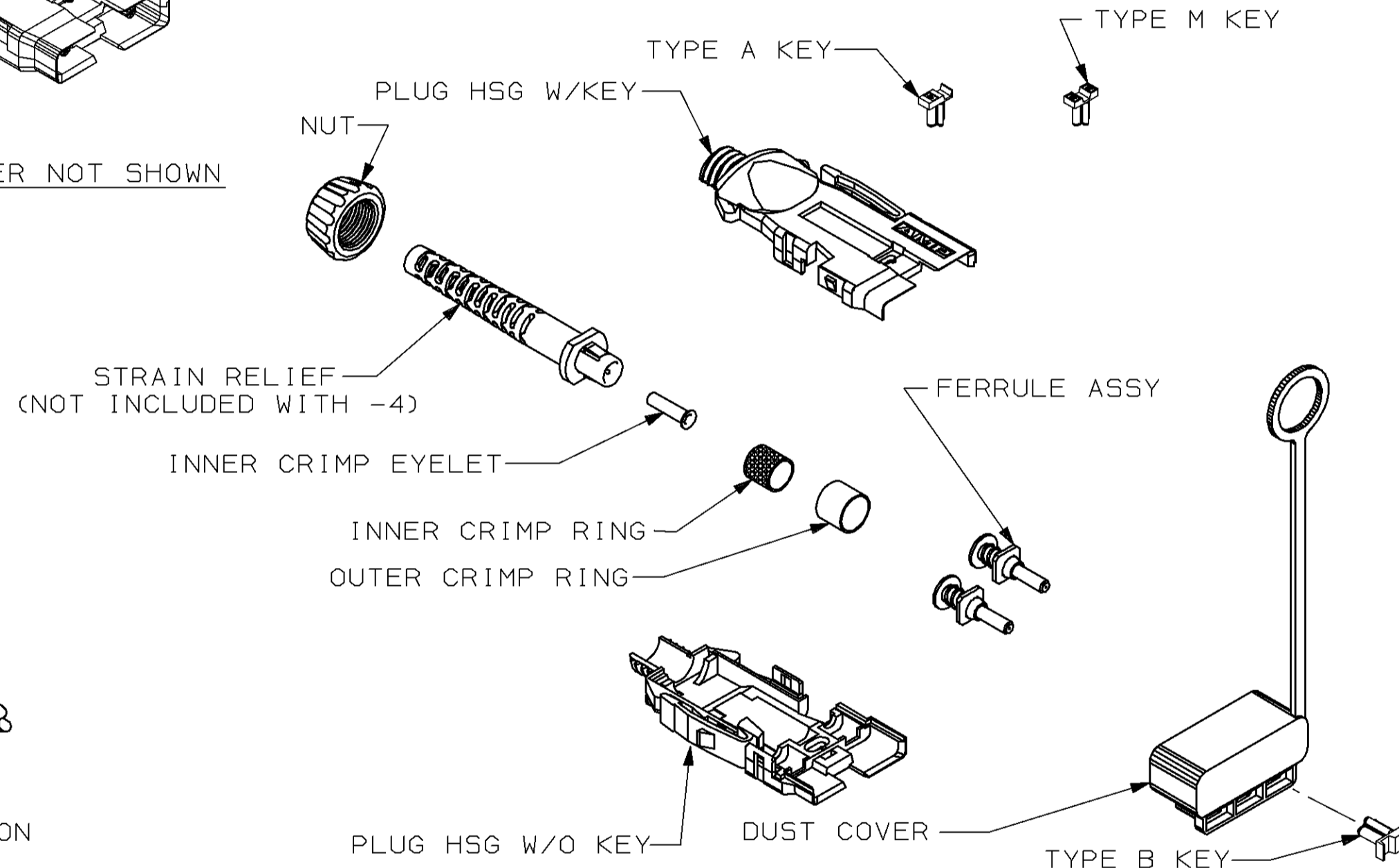
THIS DRAWING IS UNPUBLISHED. RELEASED FOR PUBLICATION, 19
 © COPYRIGHT 19 BY AMP INCORPORATED, HARRISBURG, PA. ALL INTERNATIONAL RIGHTS RESERVED. AMP PRODUCTS MAY BE COVERED BY U.S. AND FOREIGN PATENTS AND/OR PATENTS PENDING.

LOC		DIST		P		F		REVISIONS		DATE	APPROVED
CE	16			ZONE	LTR	DESCRIPTION					
					L	REV PER 0A00-0237-95		6-9-95			RH/FR

- DIMENSIONS IN [] ARE IN INCHES
- CONNECTOR WITHOUT KEY IS TYPE S
- HOUSINGS: PBT MOLDING COMPOUND
 NUT: PBT MOLDING COMPOUND
 FERRULE ASSY: STAINLESS STEEL AND CERAMIC
 INNER CRIMP RING: BRASS
 OUTER CRIMP RING: COPPER
 STRAIN RELIEF: POLYPROPYLENE
 DUST COVER: THERMOPLASTIC RUBBER
- INSTRUCTION SHEET 9373
- BULK PACKAGED, 200 PER PACKAGE.



DUST COVER NOT SHOWN



6 BULK PACKAGED 50 PER PACKAGE. ORDER STRAIN RELIEF SEPARATELY. DUALAN STYLE: 501783-1 ZIPCORD STYLE: 502016-1

6	125µm	501780-4
5	125µm	501780-3
	140µm	501780-2
	125µm	501780-1
	FIBER SIZE	PART NO

UNLESS OTHERWISE SPECIFIED DIMENSIONS ARE IN mm TOLERANCES ON :		DR 5-19-88 B.BRIGGS		AMP INCORPORATED Harrisburg, Pa. 17105	
2 PL DEC ±0.13 [.005]		CHK 5-19-88 J.ZEIDERS			
3 PL DEC ± -		APPD 5-20-88 L.BUDD		NAME CONNECTOR KIT, DUALAN CABLE, AMP FSD	
ANGLES ± -		APPD 5-20-88 D.THOMPSON			
MATERIAL		PRODUCT SPEC		SIZE	
3		-		FSCM NO	
FINISH		APPLICATION SPEC		DRAWING NO	
-		-		C 00779	
WEIGHT		-		501780	
				SCALE 1:1	
				SHEET 1 OF 1	

METRIC

RESTRICTED RELEASE
 DRAWING MAY CHANGE WITHOUT
 CUSTOMER NOTIFICATION