



Chipsmall Limited consists of a professional team with an average of over 10 year of expertise in the distribution of electronic components. Based in Hongkong, we have already established firm and mutual-benefit business relationships with customers from,Europe,America and south Asia,supplying obsolete and hard-to-find components to meet their specific needs.

With the principle of “Quality Parts,Customers Priority,Honest Operation,and Considerate Service”,our business mainly focus on the distribution of electronic components. Line cards we deal with include Microchip,ALPS,ROHM,Xilinx,Pulse,ON,Everlight and Freescale. Main products comprise IC,Modules,Potentiometer,IC Socket,Relay,Connector.Our parts cover such applications as commercial,industrial, and automotives areas.

We are looking forward to setting up business relationship with you and hope to provide you with the best service and solution. Let us make a better world for our industry!



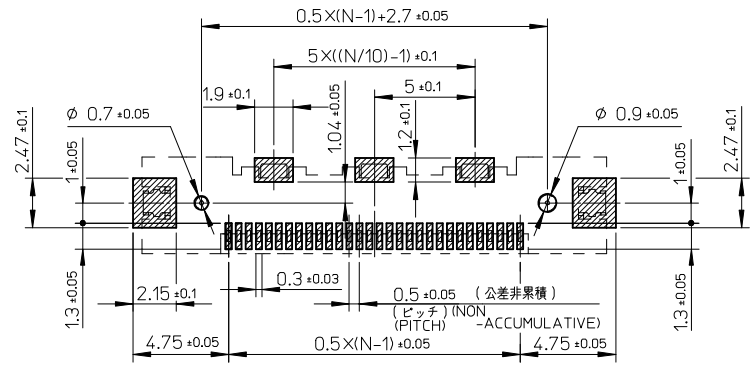
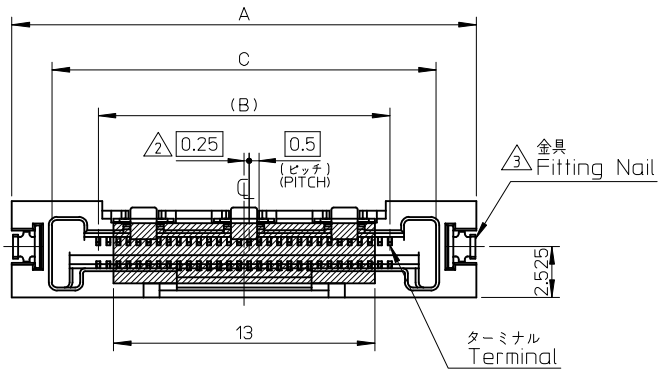
Contact us

Tel: +86-755-8981 8866 Fax: +86-755-8427 6832

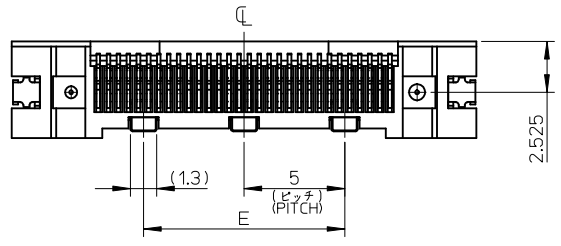
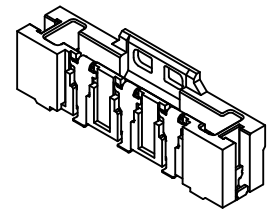
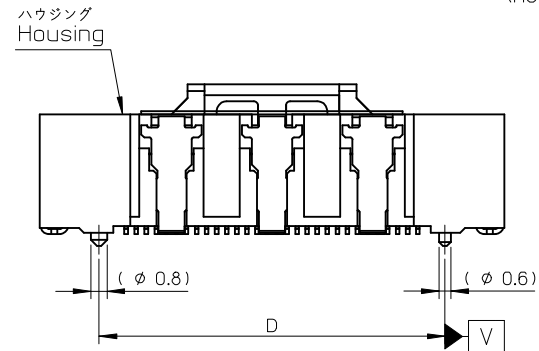
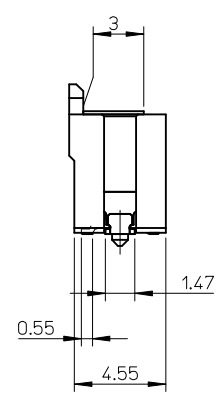
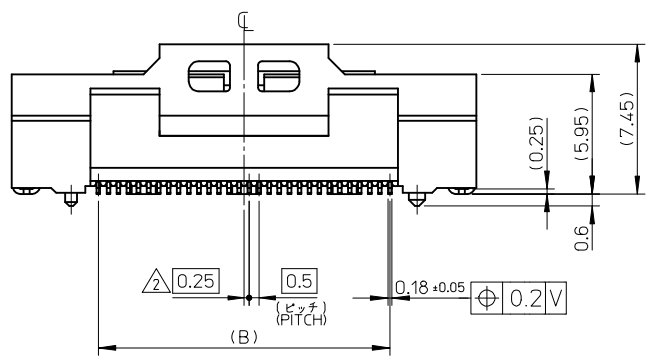
Email & Skype: info@chipsmall.com Web: www.chipsmall.com

Address: A1208, Overseas Decoration Building, #122 Zhenhua RD., Futian, Shenzhen, China





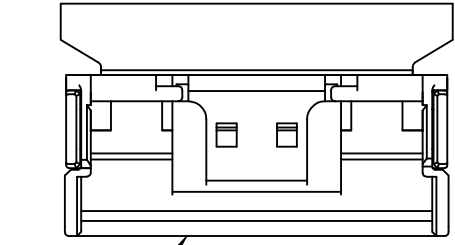
参考基板レイアウト
P.C. BOARD PATTERN
DIMENSION (REF.)
(マウント面)
(MOUNTING SIDE)



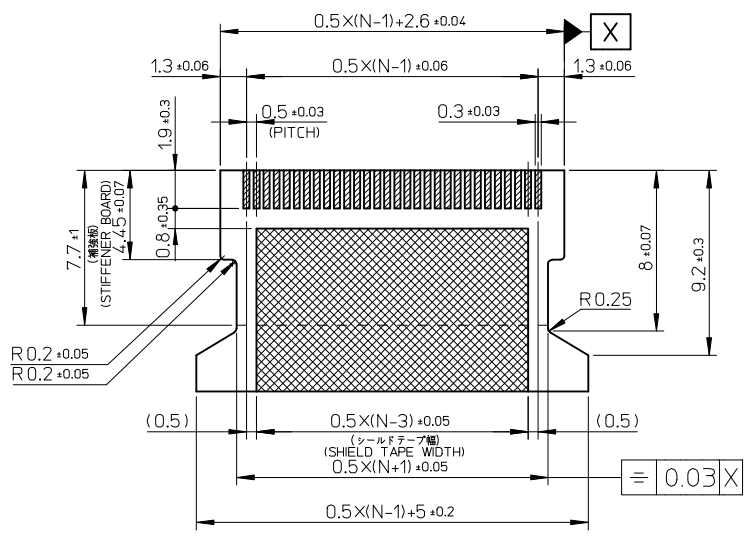
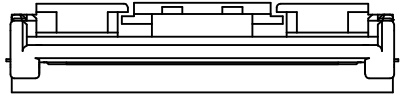
3	10	17.2	19.1	14.5	23.1	501786-3091	30
QTY of Ground Term	E	D	C	B	A	EMBOSSED TAPE PKG.	極数 CIRCUIT
						ORDER No. オーダー番号	

CONNECTOR SERIES No. 501786-***31

REVISED EC NO: J2010-0779 DRWN: NIISHI 2009/10/19 CHKD: MATSUURA 2009/10/19 APPR: MORIKAWA 2009/10/19	GENERAL TOLERANCES (UNLESS SPECIFIED)		DIMENSION STYLE MM ONLY		SCALE ---	DESIGN UNITS METRIC	THIRD ANGLE PROJECTION
	10 UNDER	±0.2	DRAWN BY H. IJIMA	DATE 07/12/25	TITLE 0.5 FFC TO BOARD CONN REC HSG ASSY(ST)		
	10 OVER 30 UNDER	±0.25	CHECKED BY K. MORIKAWA	DATE 07/12/25	MOLEX INCORPORATED		
	30 OVER	±0.3	APPROVED BY H. HIRATA	DATE 07/12/25	DOCUMENT NO. SD-501786-008		
	ANGULAR ±1 °		MATERIAL NO. SEE CHART		SHEET NO. 1 OF 2		
DRAFT WHERE APPLICABLE MUST REMAIN WITHIN DIMENSIONS		SIZE A3	THIS DRAWING CONTAINS INFORMATION THAT IS PROPRIETARY TO MOLEX INCORPORATED AND SHOULD NOT BE USED WITHOUT WRITTEN PERMISSION				

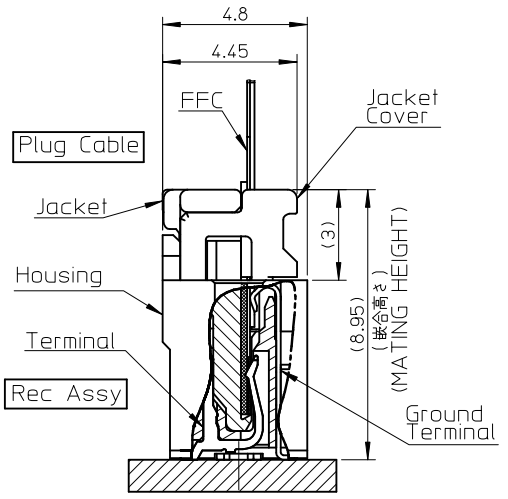
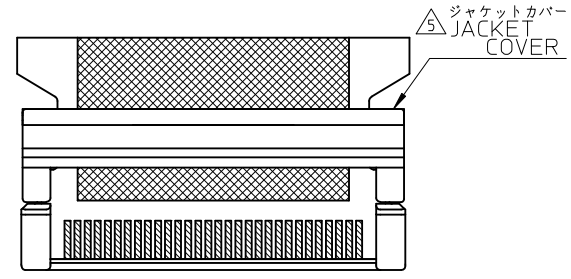
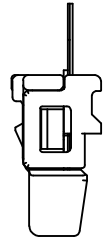


④ ジャケット
JACKET



コネクタ接点部
CONTACT AREA
 シールド部
SHIELD AREA

適合する金めっきFFC推奨寸法
 APPLICABLE FFC OF GOLD PLATING
 RECOMMENDED DIMENSION
 (仕上がり厚さ: コネクタ接点部 0.3 ± 0.03)
 シールド部 0.44 ± 0.05)
 (THICKNESS : CONTACT AREA 0.3 ± 0.03)
 SHIELD AREA 0.44 ± 0.05)



嵌合断面図
MATED CONNECTOR SECTION

注記
NOTE

1. 使用材料 MATERIAL
 - ハウジング HOUSING : 液晶ポリマー (LCP), ガラス充填, UL94V-0 色: 黒色
 - ターミナル TERMINAL : 燐青銅 ($\tau=0.18$)
 - メッキ PLATING : 燐青銅 ($\tau=0.18$)
 - CONTACT AREA : ニッケル下地 (1.0 μm 以上) 金メッキ (0.1 μm 以上) OVER NICKEL PLATING (1.0 μm MINIMUM) GOLD PLATING (0.1 μm MINIMUM)
 - ソルダーテール SOLDER TAIL : ニッケル下地 金メッキ
 - TAIL AREA : OVER NICKEL PLATING GOLD PLATING
 - 金具 FITTING NAIL : 燐青銅 ($\tau=0.25$)
 - グラウンド端子 GROUND TERMINAL : ニッケル下地 錫メッキ (1.0 μm 以上) PHOSPHOR BRONZE ($\tau=0.15$) TIN OVER NICKEL PLATING (1.0 μm MINIMUM)

- N=偶数に適用 (N:極数)
APPLY FOR N-EVEN(CIRCUIT)
- ③ パターン剥離止め用金具
FITTING NAIL FOR PREVENTION OF PEELING OF P.C.B PATTERN.
 - ④ 適合ジャケット: 501783-**09
製品詳細寸法はSD-501783-004を参照下さい。
APPLICABLE JACKET: 501783-**09.
RE DETAILED DIMENTION,SEE SD-501783-004.
 - ⑤ 適合ジャケットカバー: 501784-**08.
製品詳細寸法はSD-501784-005を参照下さい。
APPLICABLE JACKET COVER: 501784-**08.
RE DETAILED DIMENTION SEE SD-501784-005
6. ELV及びRoHS適合品
ELV AND RoHS COMPLIANT
 7. FFCについて
ABOUT FFC
打ち抜き方向は導体側から補強板側を推奨します。
導体部については軟烙銅35 μm また50 μm を推奨します。

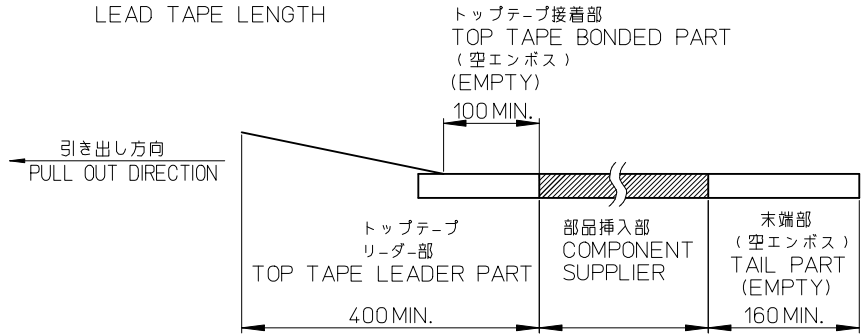
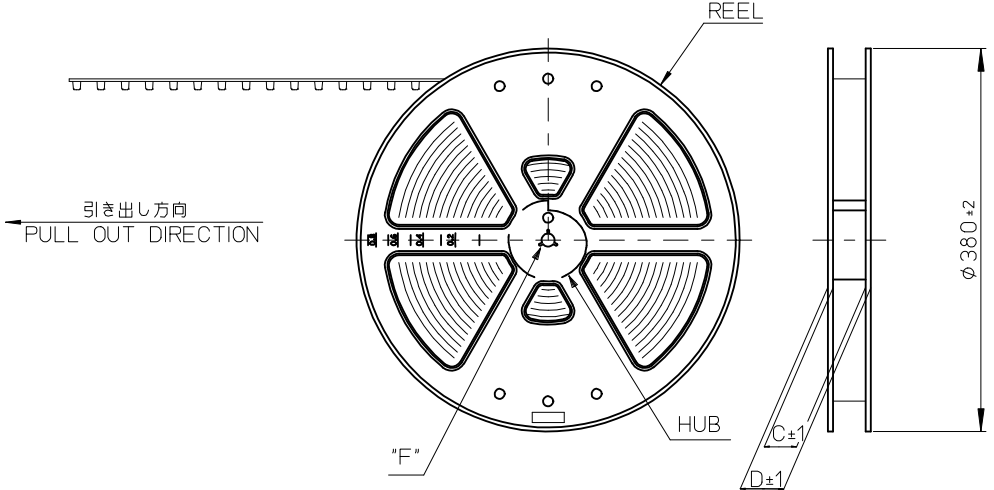
RECOMMENDED PUNCHING DIRECTION:
 FROM CONDUCTOR SIDE TO STIFFENER SIDE
 RECOMMENDED CONDUCTOR SPEC:
 SOFT COPPER FOIL
 RECOMMENDED CONDUCTOR THICKNESS:
 35MICROMETER OR 50MICROMETER

REVISED REV	EC NO: J2010-0779	2009/10/19	GENERAL TOLERANCES (UNLESS SPECIFIED)	DIMENSION STYLE MM ONLY	SCALE 1:1	DESIGN UNITS METRIC	THIRD ANGLE PROJECTION
	DRMNNISHI	2009/10/19	10 UNDER ± 0.2	DRAWN BY H.IIJIMA	DATE 07/12/25	TITLE 0.5 FFC TO BOARD CONN REC HSG ASSY(ST)	
	CHKDNWATSUURA	2009/10/19	10 OVER 30 UNDER ± 0.25	CHECKED BY K.MORIKAWA	DATE 07/12/25		
	APPR:KMYORIKAWA	2009/10/19	30 OVER ± 0.3	APPROVED BY H.HIRATA	DATE 07/12/25		
			ANGULAR $\pm 1^\circ$	MATERIAL NO. SEE SHEET 1		MOLEX INCORPORATED	
			DRAFT WHERE APPLICABLE MUST REMAIN WITHIN DIMENSIONS	SIZE A3	THIS DRAWING CONTAINS INFORMATION THAT IS PROPRIETARY TO MOLEX INCORPORATED AND SHOULD NOT BE USED WITHOUT WRITTEN PERMISSION	DOCUMENT NO. SD-501786-008	SHEET NO. 2 OF 2

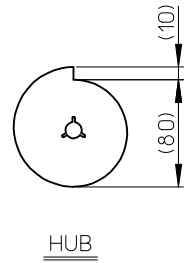
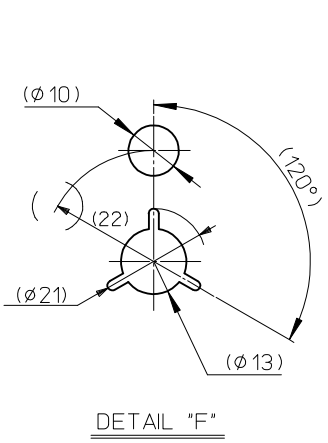
ELV AND RoHS COMPLIANT.

NOTES

1. 梱包数量：900 個/リール
NUMBER OF CONNECTORS:900 PCS/REEL
2. リードテープ長さ
LEAD TAPE LENGTH

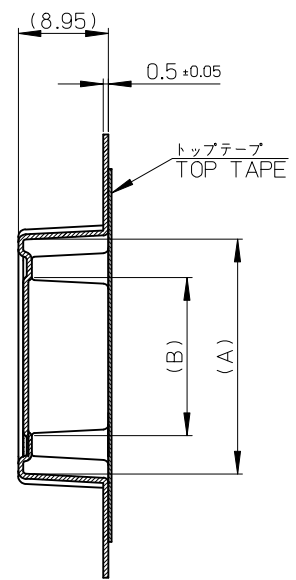


3. 製品詳細寸法については図面 SD-501786-008を参照下さい。
RE DETAILED DIMENSION, SEE SD-501786-008.
4. 材料(MATERIAL)
キャリアテープ(CARRIER TAPE)：ポリスチレン(POLYSTYRENE)
トップテープ(TOP TAPE)：PET, PE, PE
リール(REEL)：ポリスチレン(POLYSTYRENE)<リサイクル材を含む>
<RECYCLE MATERIAL CONTAINED>
5. ELV及びRoHS適合品
ELV AND RoHS COMPLIANT

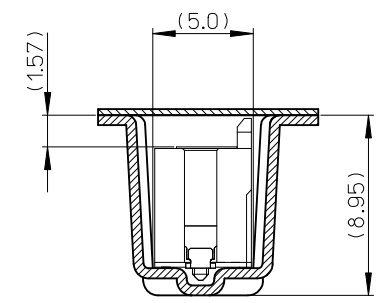
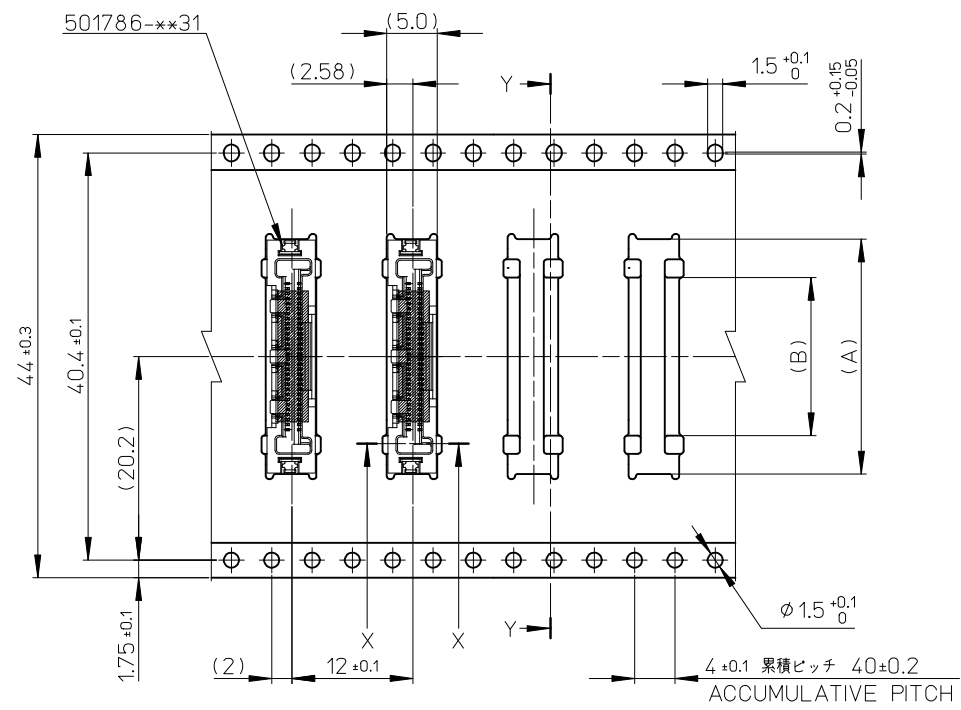


REVISED EC NO: J2009-1986 DRWN: YSHIBATA 2009/02/26 CHKD: THARUYAMA 2009/02/26 APPR: NUKITA 2009/02/26	GENERAL TOLERANCES (UNLESS SPECIFIED)		DIMENSION STYLE MM ONLY		SCALE	DESIGN UNITS METRIC	501786-**91	MODEL NO.
	10 UNDER	±0.2	DRAWN BY	DATE	TITLE			
	10 OVER 30 UNDER	±0.25	H. IJIMA	07/12/25	EMBSTP PKG FOR 0.5 FFC TO BOARD ST TYPE			
	30 OVER	±0.3	CHECKED BY	DATE	MOLEX INCORPORATED			
	ANGULAR	±3 °	K. MORIKAWA	07/12/25	MATERIAL NO. 501786-**91		DOCUMENT NO. SD-501786-009	
A	DRAFT WHERE APPLICABLE MUST REMAIN WITHIN DIMENSIONS		APPROVED BY H. HIRATA 07/12/25		THIS DRAWING CONTAINS INFORMATION THAT IS PROPRIETARY TO MOLEX INCORPORATED AND SHOULD NOT BE USED WITHOUT WRITTEN PERMISSION			

引き出し方向
PULL OUT DIRECTION



SECT. Y-Y



SECT. X-X

44mm幅キャリアテープ
44mm WIDTH CARRIER TAPE

56	61.4	57.4	25.68	33.3	501786-5091	50
44	49.4	45.4	15.68	23.3	501786-3091	30
キャリアテープ幅 CARRIER TAPE WIDTH	D	C	B	A	製品番号 MATERIAL NO.	極数 CKT

REVISED EC NO: J2009-1986 DRWN: YSHIBATA 2009/02/26 CHKD: THARUYAMA 2009/02/26 APPR: NUKITA 2009/02/26	DESCRIPTION GENERAL TOLERANCES (UNLESS SPECIFIED) 10 UNDER ±0.2 10 OVER 30 UNDER ±0.25 30 OVER ±0.3 ANGULAR ±3° DRAFT WHERE APPLICABLE MUST REMAIN WITHIN DIMENSIONS	DIMENSION STYLE MM ONLY	SCALE ---	DESIGN UNITS METRIC	THIRD ANGLE PROJECTION		
		DRAWN BY H. IJIMA	DATE 07/12/25	TITLE EMBSTP PKG FOR 0.5 FFC TO BOARD ST TYPE			
		CHECKED BY K. MORIKAWA	DATE 07/12/25	MOLEX INCORPORATED			
		APPROVED BY H. HIRATA	DATE 07/12/25	MATERIAL NO. 501786-**91	DOCUMENT NO. SD-501786-009	SHEET NO. 2 OF 2	