



Chipsmall Limited consists of a professional team with an average of over 10 year of expertise in the distribution of electronic components. Based in Hongkong, we have already established firm and mutual-benefit business relationships with customers from,Europe,America and south Asia,supplying obsolete and hard-to-find components to meet their specific needs.

With the principle of “Quality Parts,Customers Priority,Honest Operation,and Considerate Service”,our business mainly focus on the distribution of electronic components. Line cards we deal with include Microchip,ALPS,ROHM,Xilinx,Pulse,ON,Everlight and Freescale. Main products comprise IC,Modules,Potentiometer,IC Socket,Relay,Connector.Our parts cover such applications as commercial,industrial, and automotives areas.

We are looking forward to setting up business relationship with you and hope to provide you with the best service and solution. Let us make a better world for our industry!



## Contact us

Tel: +86-755-8981 8866 Fax: +86-755-8427 6832

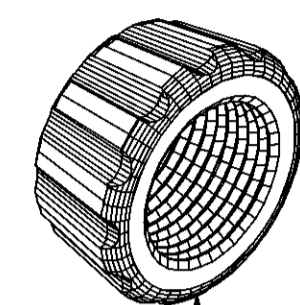
Email & Skype: info@chipsmall.com Web: www.chipsmall.com

Address: A1208, Overseas Decoration Building, #122 Zhenhua RD., Futian, Shenzhen, China

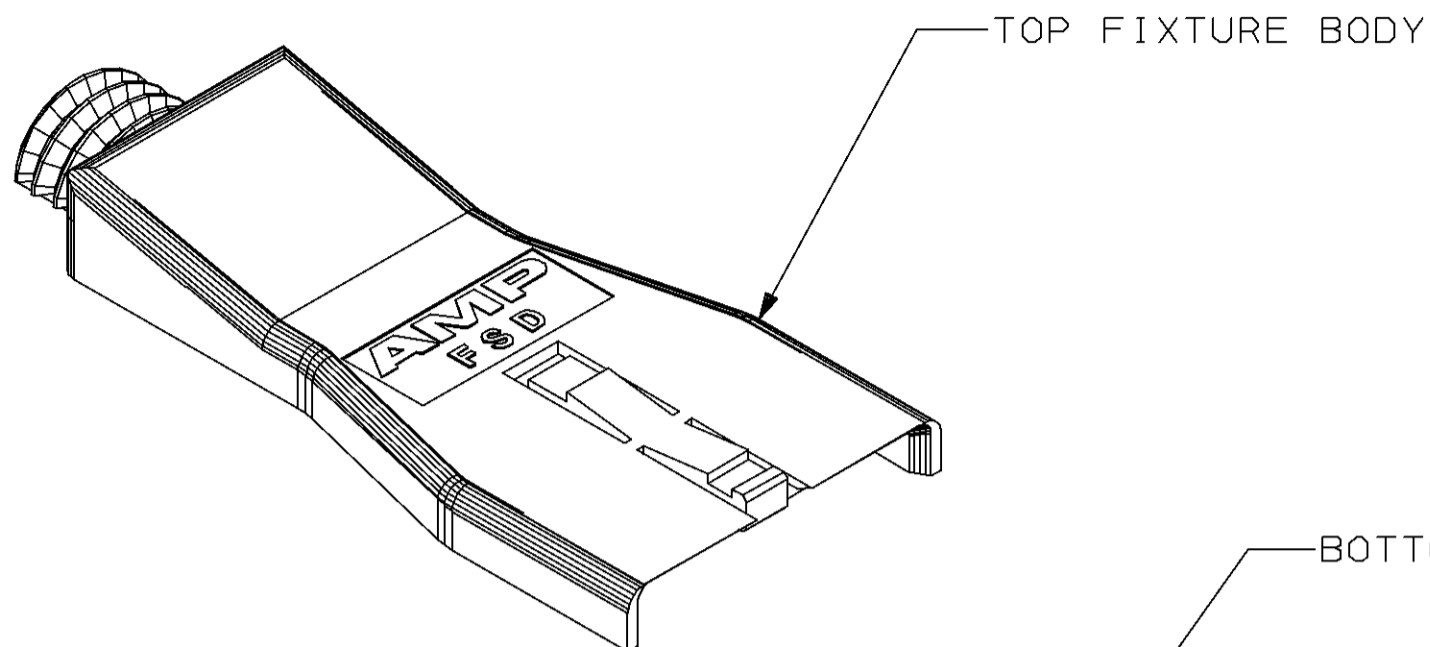


THIS DRAWING IS UNPUBLISHED. RELEASED FOR PUBLICATION ,19 .  
 © COPYRIGHT 19 BY AMP INCORPORATED, HARRISBURG, PA. ALL INTERNATIONAL RIGHTS RESERVED. AMP PRODUCTS MAY BE COVERED BY U.S. AND FOREIGN PATENTS AND/OR PATENTS PENDING.

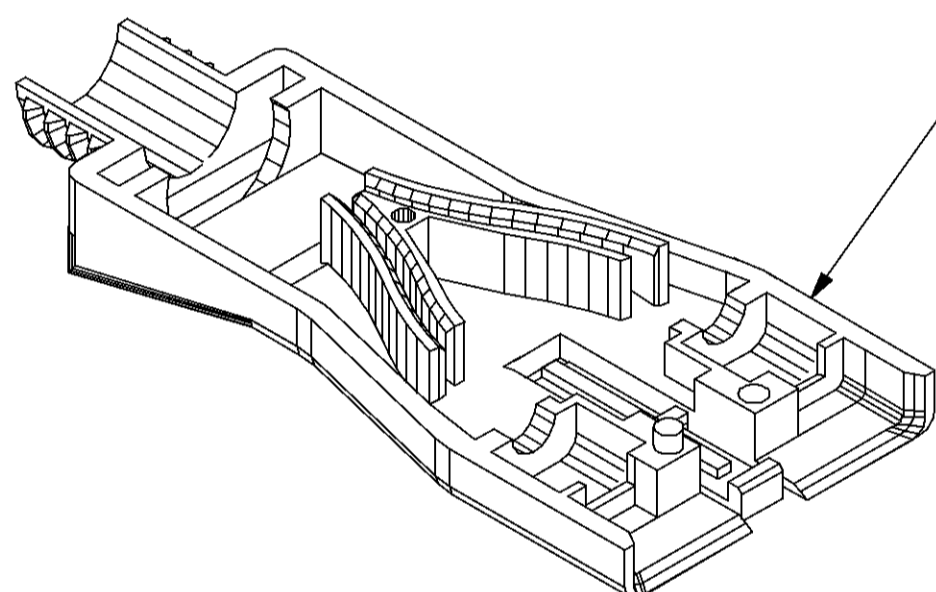
LOC	DIST	P	F	ZONE	LTR	DESCRIPTION	DATE	APPROVED
CE	16				B	REV PER CE-1619	3-15-89	BB/SO
					C	REV PER CE-1924	8-7-90	RH/WS
					D	REV PER 0500-3175-93	11-2-93	BB/GL



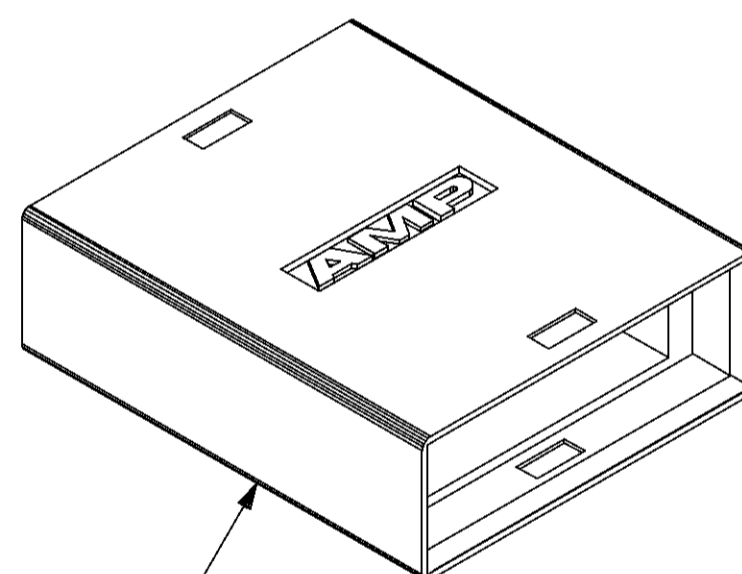
NUT



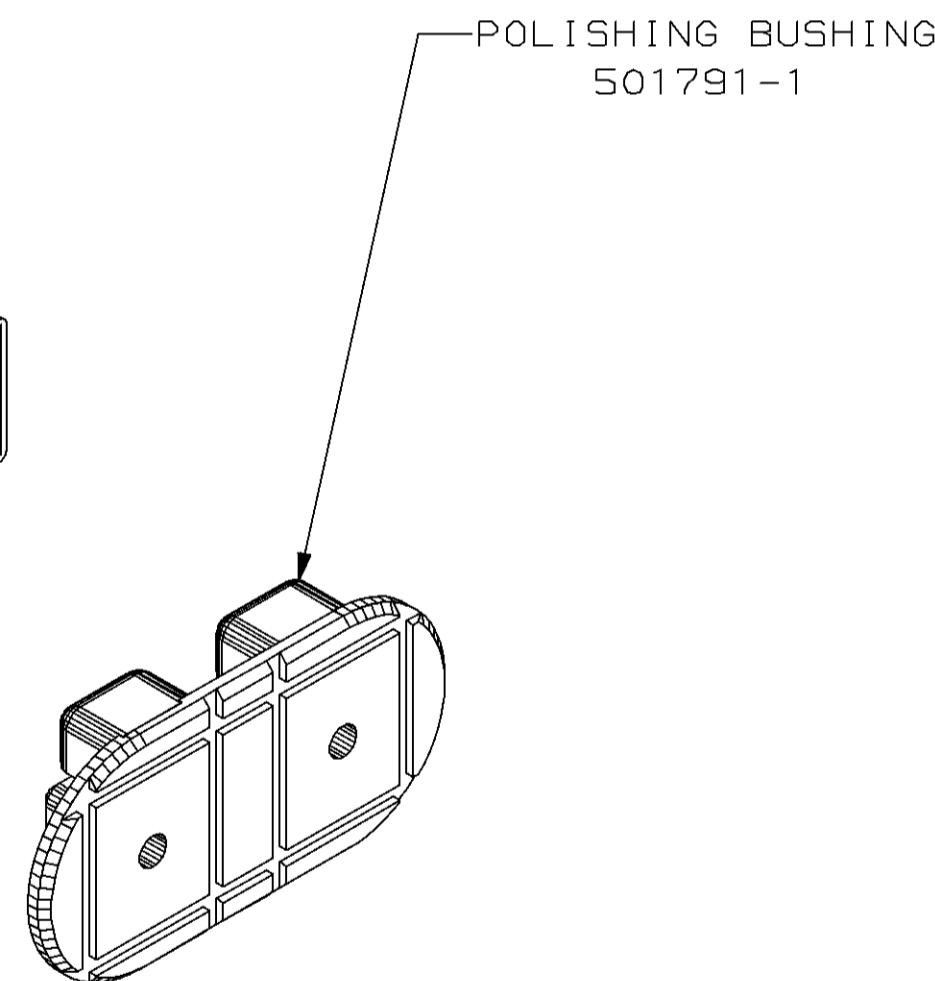
TOP FIXTURE BODY



BOTTOM FIXTURE BODY



PROTECTIVE SLEEVE



POLISHING BUSHING  
501791-1

1 FIXTURE BODY, PROTECTIVE SLEEVE, AND NUT: PBT MOLDING COMPOUND  
 POLISHING BUSHING: STAINLESS STEEL

RESTRICTED RELEASE  
 DRAWING MAY CHANGE WITHOUT  
 CUSTOMER NOTIFICATION

UNLESS OTHERWISE SPECIFIED DIMENSIONS ARE IN INCHES TOLERANCES ON :		DR B. BRIGGS 5-13-88	501795-1 PART NO	
2 PL DEC ± -		CHK J. ZEIDERS 5-19-88	AMP   AMP INCORPORATED Harrisburg, Pa. 17105	
3 PL DEC ± -		APPD L. BUDD 5-20-88		
ANGLES ± -		APPD D. THOMPSON 5-20-88	NAME DUPLX ASSY FIXTURE KIT, WITH POLISHING BUSHING, AMP FSD	
MATERIAL		PRODUCT SPEC		
1		APPLICATION SPEC	SIZE C	FSCM NO 00779
FINISH POLISHING BUSHING: PASSIVATED		WEIGHT	DRAWING NO 501795	
			SCALE 2:1	SHEET 1 OF 1