



Chipsmall Limited consists of a professional team with an average of over 10 year of expertise in the distribution of electronic components. Based in Hongkong, we have already established firm and mutual-benefit business relationships with customers from,Europe,America and south Asia,supplying obsolete and hard-to-find components to meet their specific needs.

With the principle of “Quality Parts,Customers Priority,Honest Operation,and Considerate Service”,our business mainly focus on the distribution of electronic components. Line cards we deal with include Microchip,ALPS,ROHM,Xilinx,Pulse,ON,Everlight and Freescale. Main products comprise IC,Modules,Potentiometer,IC Socket,Relay,Connector.Our parts cover such applications as commercial,industrial, and automotives areas.

We are looking forward to setting up business relationship with you and hope to provide you with the best service and solution. Let us make a better world for our industry!



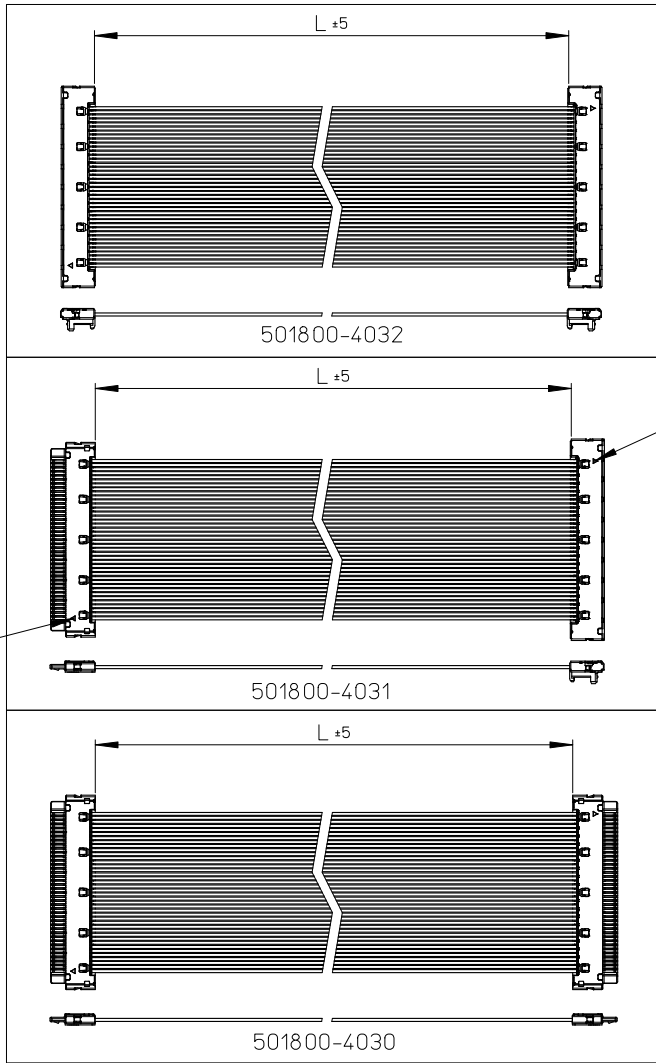
## Contact us

Tel: +86-755-8981 8866 Fax: +86-755-8427 6832

Email & Skype: info@chipsmall.com Web: www.chipsmall.com

Address: A1208, Overseas Decoration Building, #122 Zhenhua RD., Futian, Shenzhen, China





注記  
NOTES

1. 端部コネクタについては2ページ目 ( : SIDE ENTRY ) 、  
3ページ目 ( : TOP ENTRY ) を参照してください  
REFER TO THE SHEET 2 OF 3 (SIDE ENTRY)  
OR SHEET 3 OF 3 (TOP ENTRY) ABOUT PLUG CONNECTOR

2. 配線表  
TERMINATION

CN1	CN2
N	1
N-1	2
N-2	3
⋮	⋮
3	N-2
2	N-1
1	N

3. ELV及びRoHS 適合品  
ELV AND RoHS COMPLIANT

極性表示マーク (回路番号 1側)  
CKT. IDENTIFICATION MARK (CKT. NO.1)

CN2側

CN1側

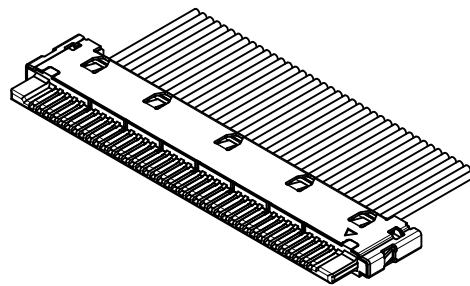
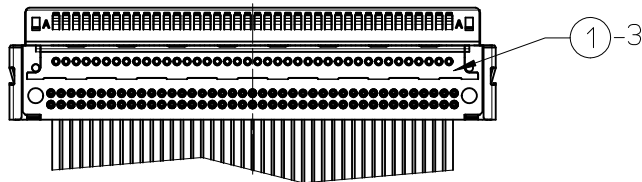
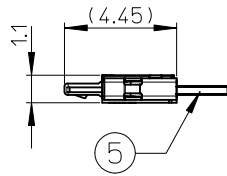
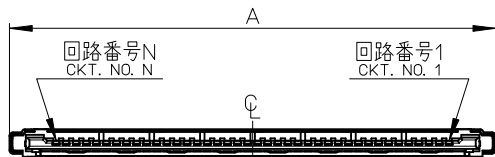
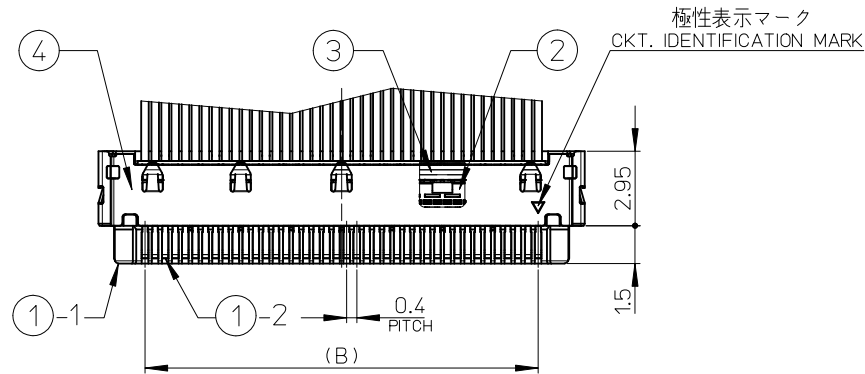
極性表示マーク (回路番号 1側)  
CKT. IDENTIFICATION MARK (CKT. NO.1)

TOP ENTRY	TOP ENTRY	100	501800-5032	50
SIDE ENTRY	TOP ENTRY	100	501800-5031	50
SIDE ENTRY	SIDE ENTRY	100	501800-5030	50
TOP ENTRY	TOP ENTRY	100	501800-4032	40
SIDE ENTRY	TOP ENTRY	100	501800-4031	40
SIDE ENTRY	SIDE ENTRY	100	501800-4030	40
TOP ENTRY	TOP ENTRY	100	501800-3032	30
SIDE ENTRY	TOP ENTRY	100	501800-3031	30
SIDE ENTRY	SIDE ENTRY	100	501800-3030	30
CN1 CONNECTOR	CN2 CONNECTOR	L	製品番号 MATERIAL NO.	極数 CKT.

MODEL NO. 501800-\*\*\*\*/P08-6D0004-\*

RELEASED EC NO: J2012-0021 DRWNS: ISUZUKI 2011/04/12 CHKD: APPR: SSUEOKA 2011/08/05 REV: O	DESCRIPTION 2011/08/05	GENERAL TOLERANCES (UNLESS SPECIFIED)		DIMENSION STYLE MM ONLY		SCALE 1:1		DESIGN UNITS METRIC		THIRD ANGLE PROJECTION		
		10 UNDER	±0.2	DRAWN BY	DATE	TITLE						
		10 OVER 30 UNDER	±0.25	ISUZUKI	2011/04/12	0.4 WIRE TO BOARD CONN. PLUG HARNESS						
		30 OVER	±0.3	CHECKED BY	DATE	MOLEX INCORPORATED						
ANGULAR ±3 ° DRAFT WHERE APPLICABLE MUST REMAIN WITHIN DIMENSIONS		APPROVED BY SSUEOKA 2011/08/05		MATERIAL NO. SEE TABLE		DOCUMENT NO. SD-501800-003		SHEET NO. 1 OF 3				
		SIZE A3		THIS DRAWING CONTAINS INFORMATION THAT IS PROPRIETARY TO MOLEX INCORPORATED AND SHOULD NOT BE USED WITHOUT WRITTEN PERMISSION								

番号 NO.	部品 PART NAME	材質/仕上げ MATERIAL/FINISH
①	モールド MOLD	液晶ポリマー(LCP)、ガラス充填、UL94V-0、黒色 LIQUID CRYSTAL POLIMER(LCP), GLASS FILLED, UL94V-0, BLACK
	ターミナル TERMINAL	磷青銅 PHOSPHOR BRONZE 接点部 : 金メッキ 0.2μm MIN. CONTACT AREA : GOLD 0.2μm MIN. 下地メッキ : ニッケルメッキ1.5μm MIN. UNDER PLATING : NICKEL 1.5μm MIN.
	ローシェル LOWER SHELL	ステンレス鋼 STAINLESS STEEL 半田付け処理 SOLDERABILITY IMPROVEMENT COAT (Au COAT) 下地メッキ : ニッケルメッキ1.0μm MIN. UNDER PLATING : NICKEL 1.0μm MIN.
②	ロケータハウジング LOCATOR HOUSING	ポリアミド (PA)、ガラス充填、UL94V-0、黒色 POLYAMIDE(PA), GLASS FILLED, UL94V-0, BLACK
③	クランプシェル CRAMP SHELL	磷青銅 PHOSPHOR BRONZE 半田付け処理 SOLDERABILITY IMPROVEMENT COAT (Au COAT) 下地メッキ : ニッケルメッキ1.0μm MIN. UNDER PLATING : NICKEL 1.0μm MIN.
④	アッパーシェル UPPER SHELL	ステンレス鋼 STAINLESS STEEL 半田付け処理 SOLDERABILITY IMPROVEMENT COAT (Au COAT) 下地メッキ : ニッケルメッキ1.0μm MIN. UNDER PLATING : NICKEL 1.0μm MIN.
⑤	同軸電線 COAXIAL WIRE	AWG #42電線 AWG#42 WIRE

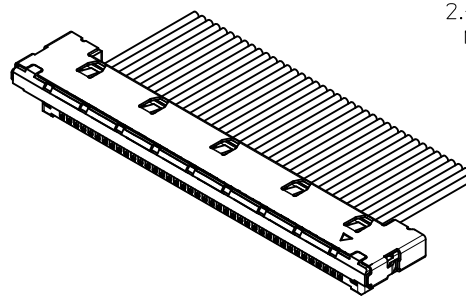
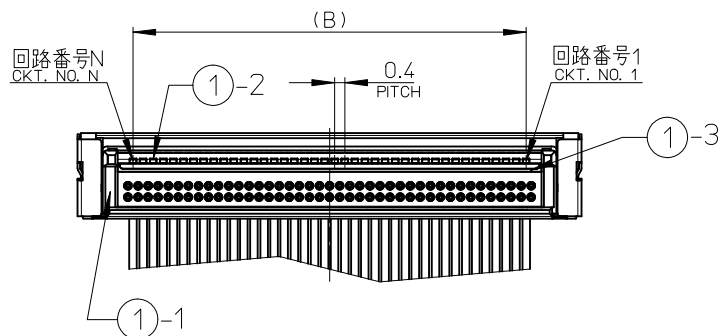
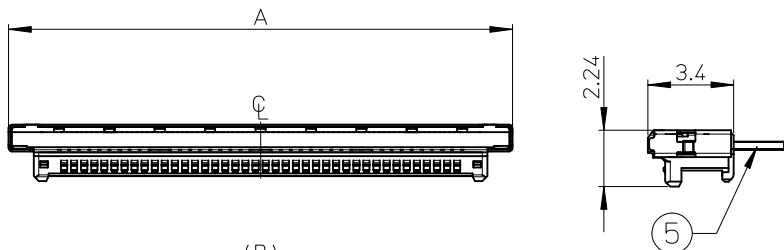
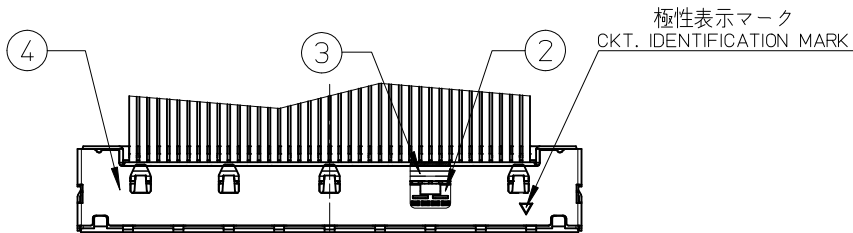


注記 NOTES  
 1. このシートはサイドエントリタイプのコネクタ部分に適用  
 SHEET 2 OF 3 IS APPLIED TO SIDE ENTRY TYPE CONNECTOR  
 2. 嵌合相手 : 501044-\*\*09 (エンボス梱包品 : 501044-\*\*10)  
 MATES WITH: 501044-\*\*09 (EMBOSSED PACKAGING: 501044-\*\*10)

19.6	23.3	501800-5031	50
19.6	23.3	501800-5030	50
15.6	19.3	501800-4031	40
15.6	19.3	501800-4030	40
11.6	15.3	501800-3031	30
11.6	15.3	501800-3030	30
B	A	製品番号 MATERIAL NO.	極数 CKT.
MODEL NO.		501800-****	

RELEASED EC NO: J2012-0021 DRWNS: ISUZUKI 2011/04/12 CHKD: APPR: SSUEOKA 2011/08/05 REV: 0	GENERAL TOLERANCES (UNLESS SPECIFIED)		DIMENSION STYLE MM ONLY		SCALE 1:1	DESIGN UNITS METRIC	THIRD ANGLE PROJECTION
	10 UNDER	±0.2	DRAWN BY SISUZUKI	DATE 2011/04/12	TITLE 0.4 WIRE TO BOARD CONN. PLUG HARNESS		
	10 OVER 30 UNDER	±0.25	CHECKED BY	DATE	MOLEX INCORPORATED		
	30 OVER	±0.3	APPROVED BY SSUEOKA	DATE 2011/08/05	DOCUMENT NO. SD-501800-003		
	ANGULAR ±3 °		MATERIAL NO.		SHEET NO. 2 OF 3		
DRAFT WHERE APPLICABLE MUST REMAIN WITHIN DIMENSIONS		SIZE A3	THIS DRAWING CONTAINS INFORMATION THAT IS PROPRIETARY TO MOLEX INCORPORATED AND SHOULD NOT BE USED WITHOUT WRITTEN PERMISSION				

番号 NO.	部品 PART NAME		材質/仕上げ MATERIAL/FINISH
①	オーバーモールド OVERMOLD	モールド MOLD	①-1 液晶ポリマー(LCP)、ガラス充填、UL94V-0、黒色 LIQUID CRYSTAL POLYMER(LCP), GLASS FILLED, UL94V-0, BLACK
		ターミナル TERMINAL	①-2 磷青銅 PHOSPHOR BRONZE 接点部 : 金メッキ 0.2μm MIN. CONTACT AREA : GOLD 0.2μm MIN. 下地メッキ : ニッケルメッキ1.5μm MIN. UNDER PLATING : NICKEL 1.5μm MIN.
		ローシェル LOWER SHELL	①-3 ステンレス鋼 STAINLESS STEEL 半田付け処理 SOLDERABILITY IMPROVEMENT COAT (Au COAT) 下地メッキ : ニッケルメッキ1.0μm MIN. UNDER PLATING : NICKEL 1.0μm MIN.
②	ロケータハウジング LOCATOR HOUSING		ポリアミド (PA)、ガラス充填、UL94V-0、黒色 POLYAMIDE(PA), GLASS FILLED, UL94V-0, BLACK
③	クランプシェル CRAMP SHELL		磷青銅 PHOSPHOR BRONZE 半田付け処理 SOLDERABILITY IMPROVEMENT COAT (Au COAT) 下地メッキ : ニッケルメッキ1.0μm MIN. UNDER PLATING : NICKEL 1.0μm MIN.
④	アッパーシェル UPPER SHELL		ステンレス鋼 STAINLESS STEEL 半田付け処理 SOLDERABILITY IMPROVEMENT COAT (Au COAT) 下地メッキ : ニッケルメッキ1.0μm MIN. UNDER PLATING : NICKEL 1.0μm MIN.
⑤	同軸電線 COAXIAL WIRE		AWG #42 電線 AWG#42 WIRE



注記  
NOTES

- このシートはトップエントリタイプのコネクタ部分に適用  
SHEET 3 OF 3 IS APPLIED TO TOP ENTRY TYPE CONNECTOR
- 嵌合相手 : 501083-\*\*09 (エンボス梱包品 : 501083-\*\*10)  
MATES WITH: 501083-\*\*09 (EMBOSSED PACKAGING:501083-\*\*10)

19.6	24	501800-5032	50
19.6	24	501800-5031	50
15.6	20	501800-4032	40
15.6	20	501800-4031	40
11.6	16	501800-3032	30
11.6	16	501800-3031	30
B	A	製品番号 MATERIAL NO.	極数 CKT.
MODEL NO.		501800-****	

RELEASED EC NO: J2012-0021 DRWNS: ISUZUKI 2011/04/12 CHKD: SSUEOKA APPR: SSUEOKA 2011/08/05 REV: 0	GENERAL TOLERANCES (UNLESS SPECIFIED)		DIMENSION STYLE MM ONLY		SCALE 1:1	DESIGN UNITS METRIC	THIRD ANGLE PROJECTION
	10 UNDER	±0.2	DRAWN BY SISUZUKI	DATE 2011/04/12	TITLE 0.4 WIRE TO BOARD CONN. PLUG HARNESS		
	10 OVER 30 UNDER	±0.25	CHECKED BY	DATE	MOLEX INCORPORATED		
	30 OVER	±0.3	APPROVED BY SSUEOKA	DATE 2011/08/05	DOCUMENT NO. SD-501800-003		
	ANGULAR ±3 ° DRAFT WHERE APPLICABLE MUST REMAIN WITHIN DIMENSIONS		MATERIAL NO. SEE TABLE		SHEET NO. 3 OF 3		
		SIZE A3		THIS DRAWING CONTAINS INFORMATION THAT IS PROPRIETARY TO MOLEX INCORPORATED AND SHOULD NOT BE USED WITHOUT WRITTEN PERMISSION			