



Chipsmall Limited consists of a professional team with an average of over 10 year of expertise in the distribution of electronic components. Based in Hongkong, we have already established firm and mutual-benefit business relationships with customers from,Europe,America and south Asia,supplying obsolete and hard-to-find components to meet their specific needs.

With the principle of “Quality Parts,Customers Priority,Honest Operation,and Considerate Service”,our business mainly focus on the distribution of electronic components. Line cards we deal with include Microchip,ALPS,ROHM,Xilinx,Pulse,ON,Everlight and Freescale. Main products comprise IC,Modules,Potentiometer,IC Socket,Relay,Connector.Our parts cover such applications as commercial,industrial, and automotives areas.

We are looking forward to setting up business relationship with you and hope to provide you with the best service and solution. Let us make a better world for our industry!



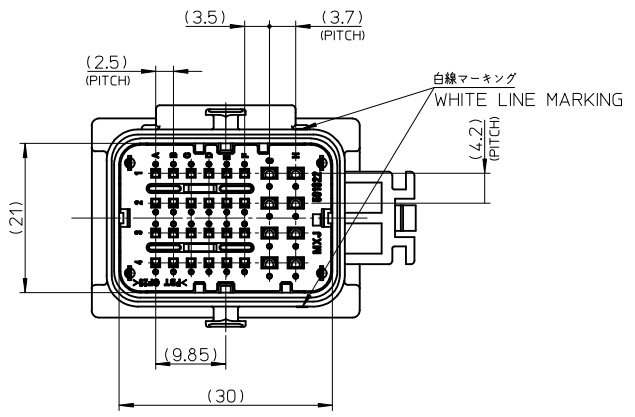
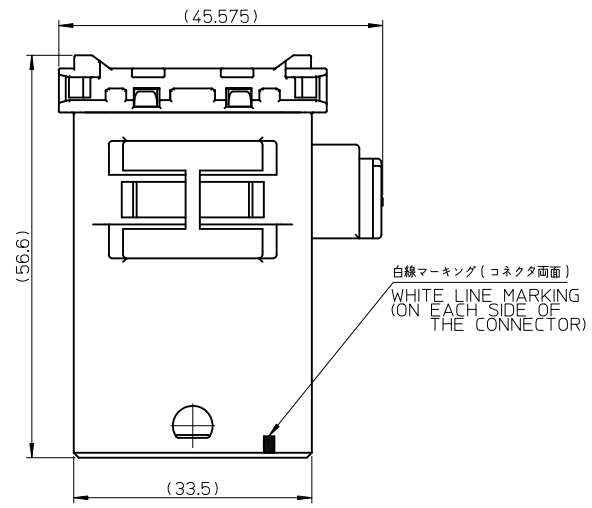
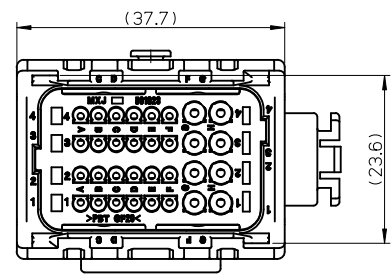
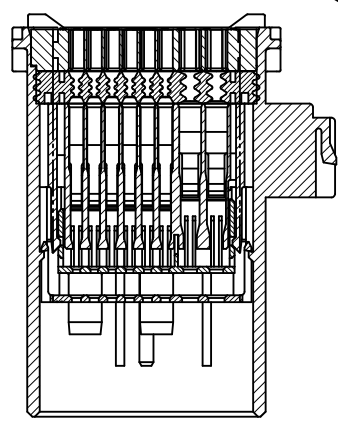
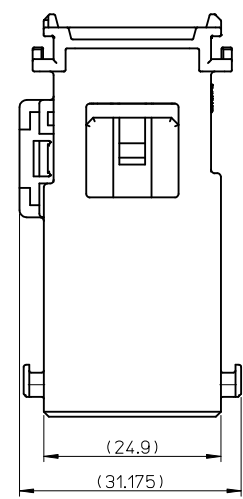
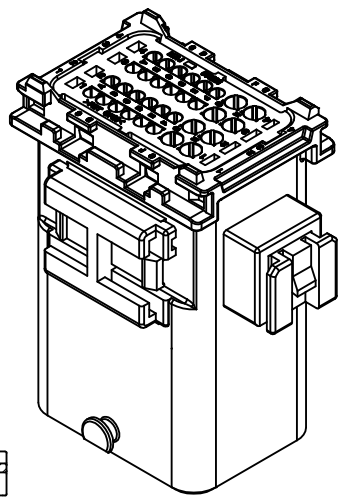
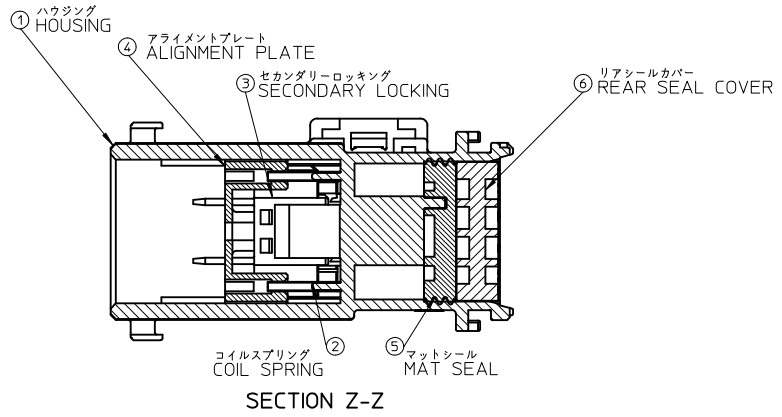
Contact us

Tel: +86-755-8981 8866 Fax: +86-755-8427 6832

Email & Skype: info@chipsmall.com Web: www.chipsmall.com

Address: A1208, Overseas Decoration Building, #122 Zhenhua RD., Futian, Shenzhen, China





REVISED
 EC NO: JTR2012-0049
 DRAWN: Y. TAKAKI 2011/11/22
 CHKD: H. KOMATSU 2011/11/22
 APPR: M. YAMAMOTO 2011/12/20

GENERAL TOLERANCES (UNLESS SPECIFIED)	
10 UNDER	±0.2
10 OVER 30 UNDER	±0.25
30 OVER	±0.3
ANGULAR	±2 °
DRAFT WHERE APPLICABLE MUST REMAIN WITHIN DIMENSIONS	

DIMENSION STYLE	
MM ONLY	
DRAWN BY	DATE
H. KOMATSU	2005/10/05
CHECKED BY	DATE
TAITO	2005/10/05
APPROVED BY	DATE
AKANESHIGE	2005/10/05
MATERIAL NO.	
SEE CHART	

ALL CIRCUITS OPEN	501820-3201
REAR SEAL COVER PATTERN	MATERIAL NO.
SCALE 2:1	DESIGN UNITS METRIC
TITLE	THIRD ANGLE PROJECTION
CMC W/W CONN. 32P PLUG HOUSING ASSY	
MOLEX INCORPORATED	
DOCUMENT NO.	SHEET NO.
SD-501820-001	1 OF 2

THIS DRAWING CONTAINS INFORMATION THAT IS PROPRIETARY TO MOLEX INCORPORATED AND SHOULD NOT BE USED WITHOUT WRITTEN PERMISSION

製造ロット表示内容
 PRODUCT LOT NO. PRINTING
 ON ASSEMBLED PRODUCT

製品番号下4桁

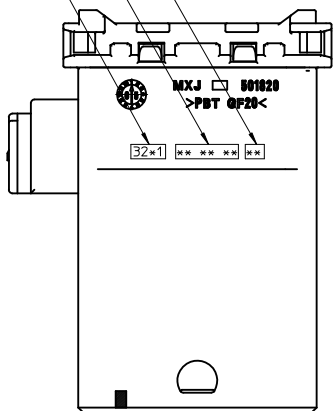
END 4 FIGURES
 OF MATERIAL NO.

製造 年/月/日

END 2 FIGURES
 OF YEAR/MONTH/DAY OF ASSEMBLY

製造場所

FACTORY OF ASSEMBLY



注記
 NOTES

- 適合端子
 APPLICABLE TERMINAL:
 信号部 (025端子)
 FOR SIGNAL (025 TERMINAL)
 501827-0101
 電源部 (060端子)
 FOR POWER SUPPLY (060 TERMINAL)
 501828-0101, 501828-0111
- 適合ワイヤードレスカバー
 APPLICABLE WIRE DRESS COVER : 501826-3201, 98649-1001
- 適合詰め栓
 APPLICABLE SEALING PLUG : 64325-1010, 64325-1023
- 嵌合相手ハウジング
 MATE HOUSING: 64319-1211, 64319-3211
- 嵌合相手端子
 MATE TERMINAL: 64322-10*9, 64323-10*9

①ハウジング HOUSING	ポリエステル、ガラス充填 PBT G.F.	灰 GRAY
②コイルスプリング COIL SPRING	ステンレス STAINLESS STEEL	
③セカンダリーロックング SECONDARY LOCKING	ポリエステル ガラス充填 PBT G.F.	黒 BLACK
④アライメントプレート ALIGNMENT PLATE	ポリエステル ガラス充填 PBT G.F.	緑 GREEN
⑤マットシール MAT SEAL	シリコン SILICONE	青 BLUE
⑥リアシールカバー REAR SEAL COVER	ポリエステル ガラス充填 PBT G.F.	緑 GREEN
部品名 PART NAME	材質 MATERIAL	色 COLOR

REVISED EC NO.: JTR2012-0049 DRAWN: Y. TAMAKI 2011/11/22 CHKD: HKOMATSU 2011/11/22 APPR: MAYAMOTO 2011/12/20	GENERAL TOLERANCES (UNLESS SPECIFIED)		DIMENSION STYLE MM ONLY		SCALE 2:1	DESIGN UNITS METRIC	THIRD ANGLE PROJECTION
	10 UNDER	± 0.2	DRAWN BY HKOMATSU	DATE 2005/10/05	TITLE CMC W/W CONN. 32P PLUG HOUSING ASSY		
	10 OVER 30 UNDER	± 0.25	CHECKED BY TAITO	DATE 2005/10/05	MOLEX INCORPORATED		
	30 OVER	± 0.3	APPROVED BY AKANESHIGE	DATE 2005/10/05	DOCUMENT NO. SD-501820-001		
	ANGULAR ±2 °	DRAFT WHERE APPLICABLE MUST REMAIN WITHIN DIMENSIONS		SEE CHART		SHEET NO. 2 OF 2	
		THIS DRAWING CONTAINS INFORMATION THAT IS PROPRIETARY TO MOLEX INCORPORATED AND SHOULD NOT BE USED WITHOUT WRITTEN PERMISSION					