



Chipsmall Limited consists of a professional team with an average of over 10 year of expertise in the distribution of electronic components. Based in Hongkong, we have already established firm and mutual-benefit business relationships with customers from,Europe,America and south Asia,supplying obsolete and hard-to-find components to meet their specific needs.

With the principle of “Quality Parts,Customers Priority,Honest Operation,and Considerate Service”,our business mainly focus on the distribution of electronic components. Line cards we deal with include Microchip,ALPS,ROHM,Xilinx,Pulse,ON,Everlight and Freescale. Main products comprise IC,Modules,Potentiometer,IC Socket,Relay,Connector.Our parts cover such applications as commercial,industrial, and automotives areas.

We are looking forward to setting up business relationship with you and hope to provide you with the best service and solution. Let us make a better world for our industry!



Contact us

Tel: +86-755-8981 8866 Fax: +86-755-8427 6832

Email & Skype: info@chipsmall.com Web: www.chipsmall.com

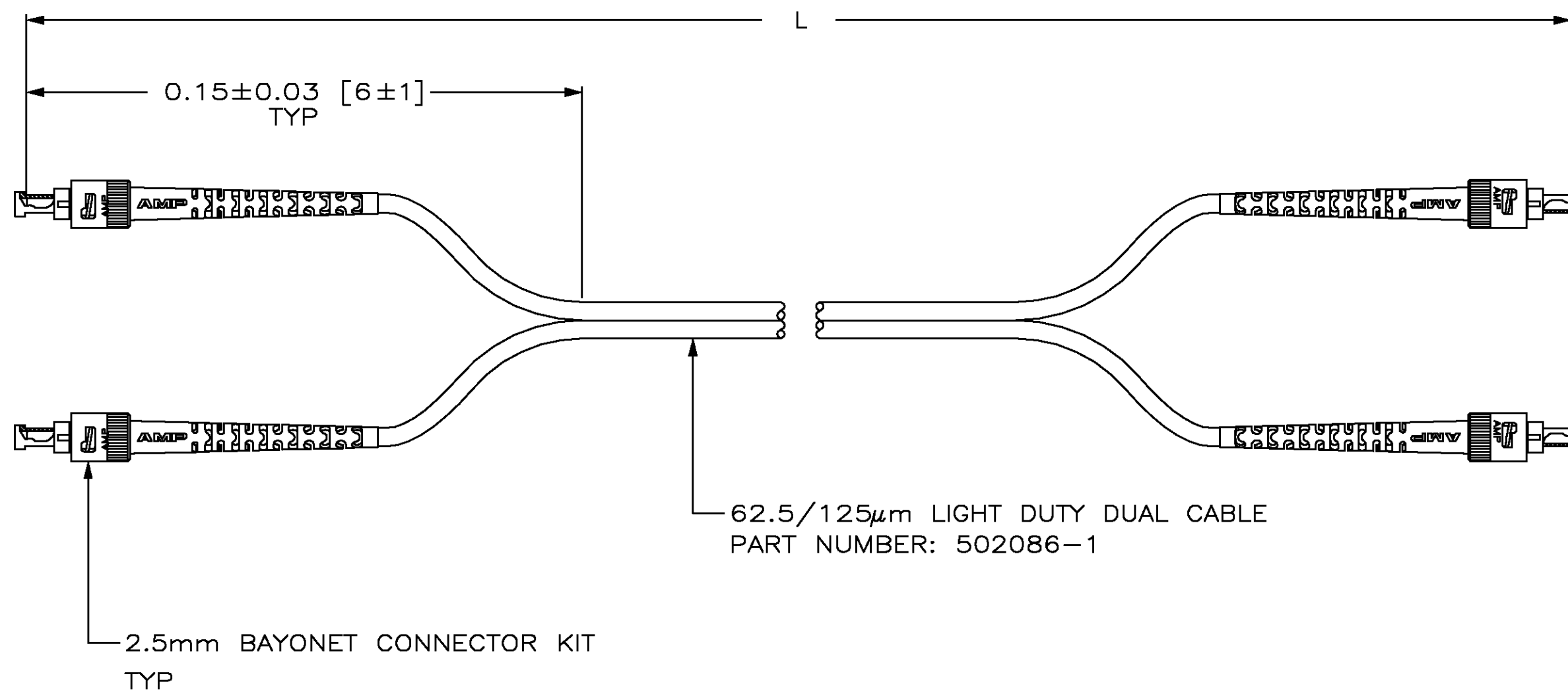
Address: A1208, Overseas Decoration Building, #122 Zhenhua RD., Futian, Shenzhen, China



THIS DRAWING IS UNPUBLISHED. RELEASED FOR PUBLICATION .19
 BY AMP INCORPORATED. ALL RIGHTS RESERVED.

LOC	DIST	REVISIONS			
P	LTR	DESCRIPTION	DATE	DWN	APVD
CE	16	R	REVISE PER 0A00-0585-98	23NOV98	CK MK

1. DIMENSIONS IN [] ARE IN INCHES.



62.5/125µm LIGHT DUTY DUAL CABLE
 PART NUMBER: 502086-1

2.5mm BAYONET CONNECTOR KIT
 TYP

200±2.0 [7874±79]	3-501833-2
16.7±0.3 [657±12]	3-501833-1
13.7±0.15 [539±6]	3-501833-0
10.6±0.15 [417±6]	2-501833-9
7.6±0.08 [300±3]	2-501833-8
4.5±0.08 [177±3]	2-501833-7
150±1.5 [5905±59]	2-501833-6
1.10±0.05 [43.30±2]	2-501833-5
60.96±0.6 [2400±24]	2-501833-4
40±0.4 [1575±16]	2-501833-3
20±0.3 [787±12]	2-501833-2
9±0.15 [354±6]	2-501833-1
8±0.15 [315±6]	2-501833-0
7±0.08 [275±3]	1-501833-9
4±0.08 [157±3]	1-501833-8
2±0.05 [79±2]	1-501833-7
0.6±0.03 [24±1]	1-501833-6
0.3±0.03 [12±1]	1-501833-5
100±1.0 [3937±39]	1-501833-4
50±0.5 [1969±20]	1-501833-3
30±0.3 [1181±12]	1-501833-2
25±0.3 [984±12]	1-501833-1
15±0.15 [591±6]	1-501833-0
1.83±0.05 [72±2]	501833-9
1.52±0.05 [60±2]	501833-8
1.22±0.05 [48±2]	501833-7
10±0.15 [394±6]	501833-6
6±0.08 [236±3]	501833-5
5±0.08 [197±3]	501833-4
3±0.05 [118±2]	501833-3
1±0.05 [39±2]	501833-2
0.91±0.05 [36±2]	501833-1
L	PART NUMBER

THIS DRAWING IS A CONTROLLED DOCUMENT.		DWN B.BARRY 23NOV98	AMP Incorporated Harrisburg, PA 17105-3608	
DIMENSIONS: METERS [INCHES]		CHK J.ZEIDERS 8-3-88	NAME CABLE ASSEMBLY, FIBER OPTIC, 62.5/125µm DUAL, 2.5mm BAYONET, OPTIMATE	
TOLERANCES UNLESS OTHERWISE SPECIFIED: 0 PLC ± - 1 PLC ± - 2 PLC ± - 3 PLC ± - 4 PLC ± - ANGLES ± - FINISH		APVD M.RUPERT 8-3-88	PRODUCT SPEC APPLICATION SPEC	
MATERIAL		WEIGHT	SIZE A2	CAGE CODE 00779
			DRAWING NO 501833	RESTRICTED TO
CUSTOMER DRAWING			SCALE NTS	SHEET 1 OF 1 REV R