



Chipsmall Limited consists of a professional team with an average of over 10 year of expertise in the distribution of electronic components. Based in Hongkong, we have already established firm and mutual-benefit business relationships with customers from,Europe,America and south Asia,supplying obsolete and hard-to-find components to meet their specific needs.

With the principle of “Quality Parts,Customers Priority,Honest Operation,and Considerate Service”,our business mainly focus on the distribution of electronic components. Line cards we deal with include Microchip,ALPS,ROHM,Xilinx,Pulse,ON,Everlight and Freescale. Main products comprise IC,Modules,Potentiometer,IC Socket,Relay,Connector.Our parts cover such applications as commercial,industrial, and automotives areas.

We are looking forward to setting up business relationship with you and hope to provide you with the best service and solution. Let us make a better world for our industry!



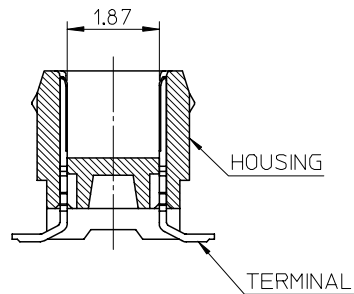
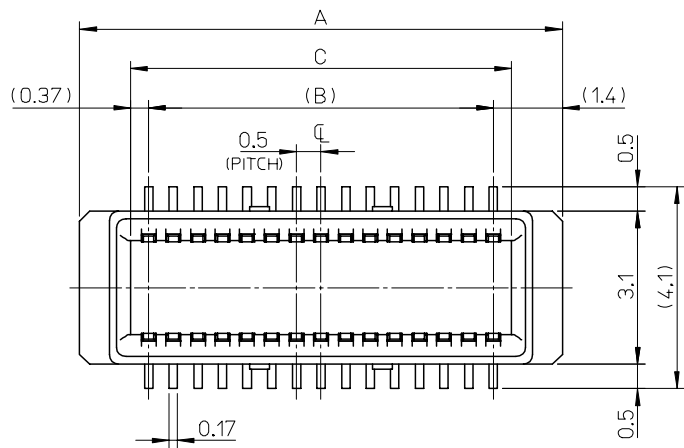
## Contact us

Tel: +86-755-8981 8866 Fax: +86-755-8427 6832

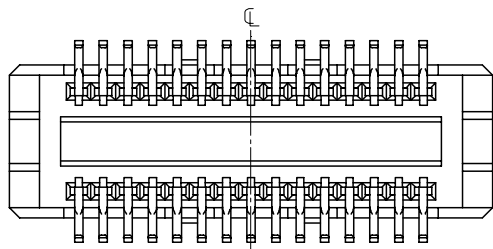
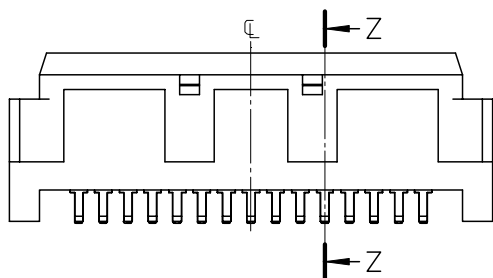
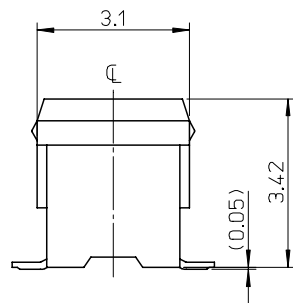
Email & Skype: info@chipsmall.com Web: www.chipsmall.com

Address: A1208, Overseas Decoration Building, #122 Zhenhua RD., Futian, Shenzhen, China





SECTION Z-Z

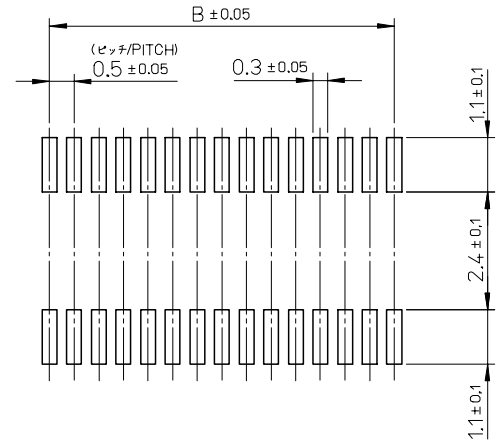
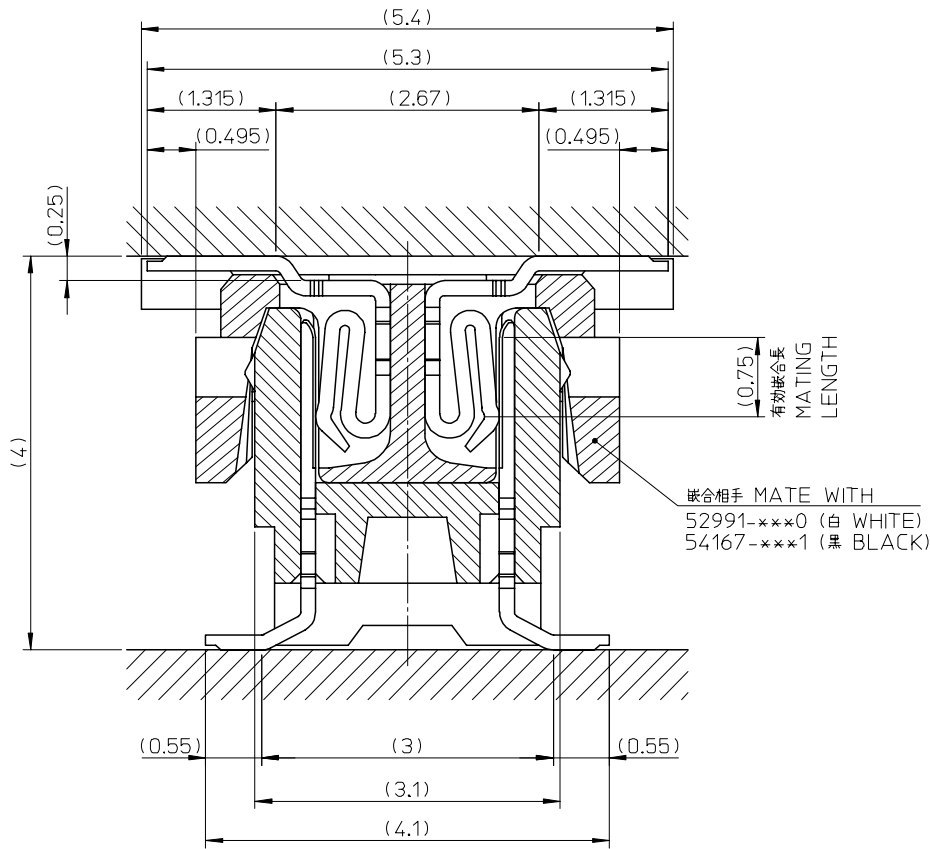


NOTES

- 材質  
MATERIAL  
ハウジング：LCP(液晶ポリマー)、ガラス充填、黒色、UL94V-0  
HOUSING : GLASS FILLED LIQUID CRYSTAL POLYMER ,BLACK ,UL94V-0  
ターミナル：銅合金 (t=0.15)  
TERMINAL : COPPER ALLOY (t=0.15)
- メッキ仕様  
PLATING  
ターミナル  
TERMINAL  
接点部：金メッキ  
CONTACT AREA : GOLD  
半田付け部：錫メッキ  
SOLDER TAIL AREA : TIN  
下地メッキ：ニッケルメッキ  
UNDER PLATING : NICKEL
- テール平坦度：0.1 MAX.  
COPLANARITY : 0.1 MAXIMUM
- ELV AND RoHS COMPLIANT.

|       |     |      |                                    |                      |         |
|-------|-----|------|------------------------------------|----------------------|---------|
| 10.24 | 9.5 | 12.3 | 501920-4001                        | 501920-4009          | 40      |
| 7.74  | 7.0 | 9.8  | 501920-3001                        | 501920-3009          | 30      |
| C     | B   | A    | エンボス梱包<br>EMBOSSSED TAPE PACKAGING | 製品番号<br>MATERIAL NO. | CIRCUIT |

|   |                                       |              |                            |                               |   |                        |                        |
|---|---------------------------------------|--------------|----------------------------|-------------------------------|---|------------------------|------------------------|
| REVISED<br>EC NO: J2007-3102<br>DRWN: A0YAGI 2007/05/24<br>CHKD: M. SOGAYA 2007/05/25<br>APPR: NUKITA 2007/05/25              | GENERAL TOLERANCES (UNLESS SPECIFIED) |              | DIMENSION STYLE<br>MM ONLY |                               | SCALE<br>10:1                                 | DESIGN UNITS<br>METRIC | THIRD ANGLE PROJECTION |
|   | 10 UNDER                              | ±0.2         | DRAWN BY<br>M. ISOGAYA     | DATE<br>2005/08/17            | TITLE<br>0.5 PITCH B/B CONN.<br>PLUG HSG ASSY |                        |                        |
|   | 10 OVER 30 UNDER                      | ±0.25        | CHECKED BY<br>T. HIRATA    | DATE<br>2005/08/17            |   |                        |                        |
|   | 30 OVER                               | ±0.3         | APPROVED BY<br>M. SASAO    | DATE<br>2005/08/17            |   |                        |                        |
| ANGULAR   | ±1 °                                  | MATERIAL NO. |                            | DOCUMENT NO.<br>SD-501920-001 |   | SHEET NO.<br>1 OF 2    |                        |
| DRAFT WHERE APPLICABLE<br>MUST REMAIN<br>WITHIN DIMENSIONS  |                                       | SEE TABLE    |                            | MOLEX INCORPORATED            |   |                        |                        |
| THIS DRAWING CONTAINS INFORMATION THAT IS PROPRIETARY TO MOLEX INCORPORATED AND SHOULD NOT BE USED WITHOUT WRITTEN PERMISSION |                                       |              |                            |                               |   |                        |                        |



参考基板レイアウト (マウント面)  
 RECOMMENDED P.C.BOARD  
 PATTERN DIMENSION (REF.)  
 (MOUNT AREA) (SCALE 10:1)

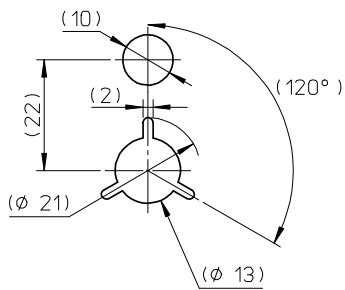
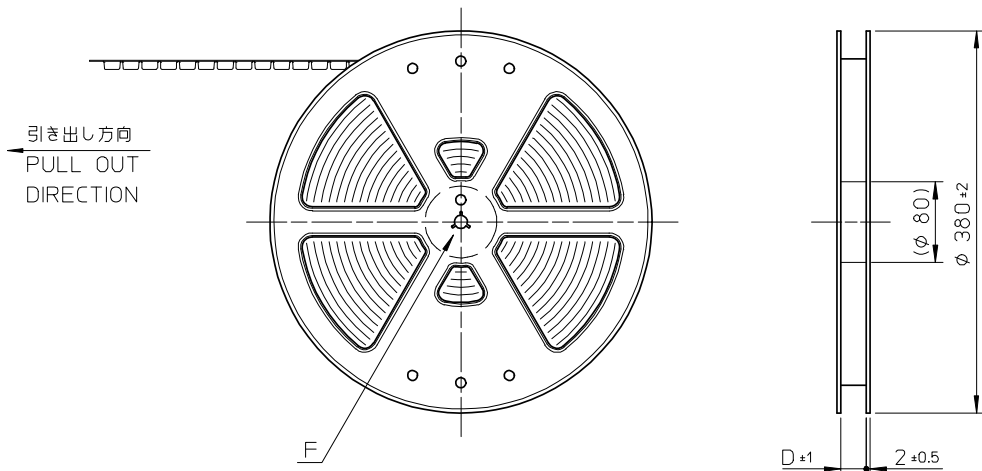
嵌合断面図(参考)  
 MATED DRAWING (REF.)

|                   |             |
|-------------------|-------------|
| REVISED           | DESCRIPTION |
| EC NO: J2007-3102 | 2007/05/24  |
| DRWN: A0YAGI      | 2007/05/25  |
| CHKD: M.SOGAYA    | 2007/05/25  |
| APPR: NUKITA      | 2007/05/25  |

|  |               |
|--|---------------|
| GENERAL TOLERANCES (UNLESS SPECIFIED)                |               |
| 10 UNDER   | $\pm 0.2$     |
| 10 OVER 30 UNDER                                     | $\pm 0.25$    |
| 30 OVER  | $\pm 0.3$     |
| ANGULAR  | $\pm 1^\circ$ |
| DRAFT WHERE APPLICABLE MUST REMAIN WITHIN DIMENSIONS |               |

|                 |            |
|-----------------|------------|
| DIMENSION STYLE |            |
| MM ONLY         |            |
| DRAWN BY        | DATE       |
| M. ISOGAYA      | 2005/08/17 |
| CHECKED BY      | DATE       |
| T. HIRATA       | 2005/08/17 |
| APPROVED BY     | DATE       |
| M. SASAO        | 2005/08/17 |
| MATERIAL NO.    |            |
| SEE SHEET 1     |            |
| SIZE            |            |
| A3              |            |

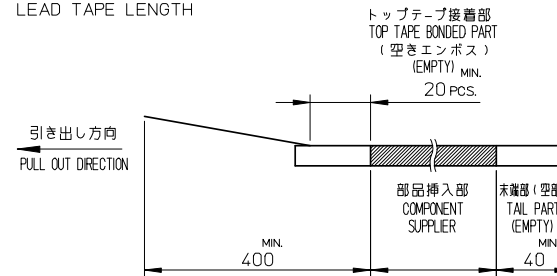
|                                   |              |                        |
|-----------------------------------|--------------|------------------------|
| 501920-**09                       |              | MODEL NO.              |
| SCALE                             | DESIGN UNITS | THIRD ANGLE PROJECTION |
| 20:1                              | METRIC       |                        |
| TITLE                             |              |                        |
| 0.5 PITCH B/B CONN. PLUG HSG ASSY |              |                        |
| MOLEX INCORPORATED                |              |                        |
| DOCUMENT NO.                      |              | SHEET NO.              |
| SD-501920-001                     |              | 2 OF 2                 |



DETAIL F

NOTES

- 製品詳細寸法については、製品単体図面を御参照下さい。  
For detail of connector dimensions, please see the drawing of connector itself (not packaged)
- 梱包数量 : 1500 個/リール  
NUMBER OF CONNECTORS : 1500 PCS/REEL
- リードテープ長さ  
LEAD TAPE LENGTH

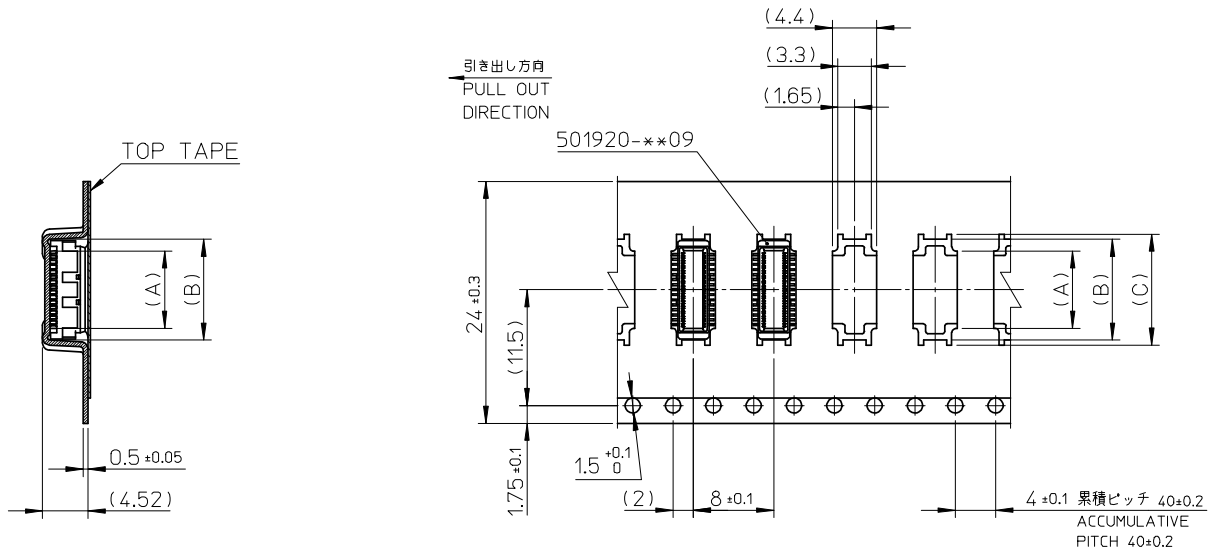


- トップテープの剥離強度 : 0.1N ~ 1.3N (10gf~130gf)  
(剥離方向は下図参照)  
尚、本規格値は、出荷時に適用。(但し、輸送時に剥離が発生しない事。)  
PEELING OFF FORCE OF TOP TAPE 0.1N~1.3N (10gf~130gf)  
(PEELING DIRECTION AS SHOWN IN FOLLOWING FIG.)  
THIS REQUIREMENT SHOULD BE APPLIED AT SHIPMENT.  
(PEEL OFF SHOULD NOT BE ALLOWED, DURING TRANSPORTATION.)



- 材料  
キャリアテープ : ポリプロピレン  
トップテープ : PET ,PE ,PEF  
リール : ポリスチレン(PS) <リサイクル材を含む>  
MATERIAL  
CARRIER TAPE : POLYPROPYLENE  
TOP TAPE : PET ,PE ,PEF  
REEL : POLYSTYRENE(PS) <RECYCLE MATERIAL CONTAINED>
- ELV AND RoHS COMPLIANT.

|   |             |   |  |                            |  |                      |              |   |  |  |
|---|-------------|---|--|----------------------------|--|----------------------|--------------|---|--|--|
| REVISED<br>EC NO: J2008-2863<br>DRWN:TKAHO 2008/01/29<br>CHKD:MSASAO 2008/01/29<br>APPR:MSASAO 2008/02/05 | DESCRIPTION | GENERAL TOLERANCES (UNLESS SPECIFIED)   |  | DIMENSION STYLE<br>MM ONLY |  | 501920-**-01         |              | MODEL NO.   |  |  |
|   |             | 10 UNDER ±0.2   |  | DRAWN BY DATE              |  | SCALE                | DESIGN UNITS | THIRD ANGLE PROJECTION  |  |  |
|   |             | 10 OVER 30 UNDER ±0.25  |  | M. ISOGAYA 2005/08/18      |  | #                    | METRIC       | TITLE<br>EMBSTP PKG FOR<br>0.5 PITCH B/B CONN. PLUG<br>HSG ASSY |  |  |
|   |             | 30 OVER ±0.3  |  | CHECKED BY DATE            |  | T. HIRATA 2005/08/18 |              |   |  |  |
| REV   | DESCRIPTION | ANGULAR ±1 °  |  | APPROVED BY DATE           |  | M. SASAO 2005/08/18  |              | MOLEX INCORPORATED  |  |  |
|   |             | DRAFT WHERE APPLICABLE MUST REMAIN WITHIN DIMENSIONS  |  | MATERIAL NO.               |  | DOCUMENT NO.         |              | SHEET NO.   |  |  |
|   |             | SEE SHEET 2   |  | SD-501920-002              |  | 1 OF 2               |              |   |  |  |
| SIZE A3   |             | THIS DRAWING CONTAINS INFORMATION THAT IS PROPRIETARY TO MOLEX INCORPORATED AND SHOULD NOT BE USED WITHOUT WRITTEN PERMISSION |  |                            |  |                      |              |   |  |  |



24mm幅キャリアテープ  
24mm WIDTH CARRIER TAPE

|                                |      |      |      |       |              |         |
|--------------------------------|------|------|------|-------|--------------|---------|
| 24                             | 25.4 | 16.0 | 15.0 | 12.67 | 501920-5001  | 50      |
|                                |      | 13.5 | 12.5 | 10.17 | 501920-4001  | 40      |
|                                |      | 11.0 | 10.0 | 7.67  | 501920-3001  | 30      |
| キャリアテープ幅<br>CARRIER TAPE WIDTH | D    | (C)  | (B)  | (A)   | MATERIAL NO. | CIRCUIT |

|  |  |       |                            |                    |   |                        |                        |
|--|--|-------|----------------------------|--------------------|---|------------------------|------------------------|
| REVISED<br>EC NO: J2008-2863<br>DRWN:TKAIHO 2008/01/29<br>CHKD:MSASAO 2008/01/29<br>APPR:MSASAO 2008/02/05<br>REV<br>DESCRIPTION | GENERAL TOLERANCES (UNLESS SPECIFIED)                                      |       | DIMENSION STYLE<br>MM ONLY |                    | SCALE<br>//   | DESIGN UNITS<br>METRIC | THIRD ANGLE PROJECTION |
|  | 10 UNDER   | ±0.2  | DRAWN BY<br>M. ISOGAYA     | DATE<br>2005/08/18 | TITLE<br>EMBSTP PKG FOR<br>0.5 PITCH B/B CONN. PLUG<br>HSG ASSY |                        |                        |
|  | 10 OVER 30 UNDER   | ±0.25 | CHECKED BY<br>T. HIRATA    | DATE<br>2005/08/18 | MOLEX INCORPORATED  |                        |                        |
|  | 30 OVER  | ±0.3  | APPROVED BY<br>M. SASAO    | DATE<br>2005/08/18 | DOCUMENT NO.<br>SD-501920-002                                   |                        |                        |
|  | ANGULAR ±1 °<br>DRAFT WHERE APPLICABLE<br>MUST REMAIN<br>WITHIN DIMENSIONS |       | MATERIAL NO.<br>SEE TABLE  |                    | SHEET NO.<br>2 OF 2   |                        |                        |