



Chipsmall Limited consists of a professional team with an average of over 10 year of expertise in the distribution of electronic components. Based in Hongkong, we have already established firm and mutual-benefit business relationships with customers from,Europe,America and south Asia,supplying obsolete and hard-to-find components to meet their specific needs.

With the principle of “Quality Parts,Customers Priority,Honest Operation,and Considerate Service”,our business mainly focus on the distribution of electronic components. Line cards we deal with include Microchip,ALPS,ROHM,Xilinx,Pulse,ON,Everlight and Freescale. Main products comprise IC,Modules,Potentiometer,IC Socket,Relay,Connector.Our parts cover such applications as commercial,industrial, and automotives areas.

We are looking forward to setting up business relationship with you and hope to provide you with the best service and solution. Let us make a better world for our industry!



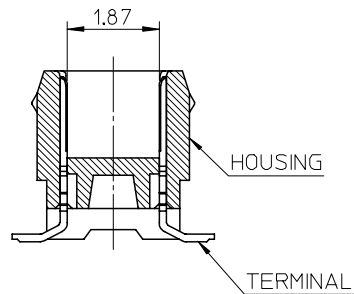
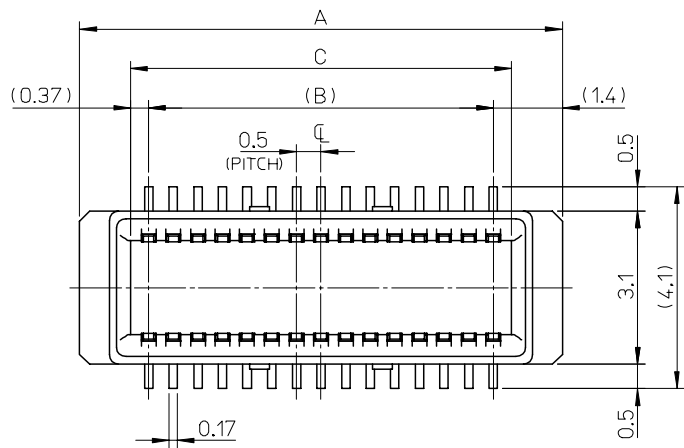
Contact us

Tel: +86-755-8981 8866 Fax: +86-755-8427 6832

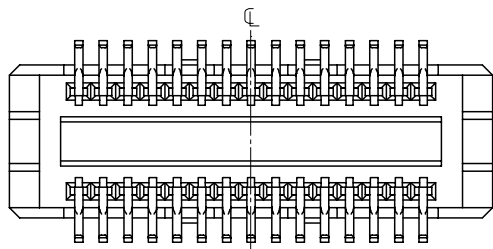
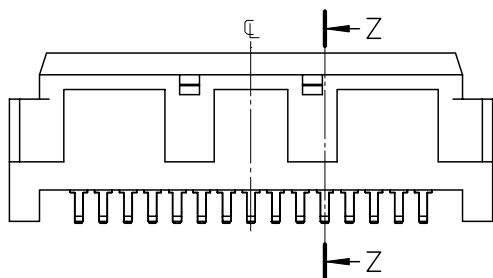
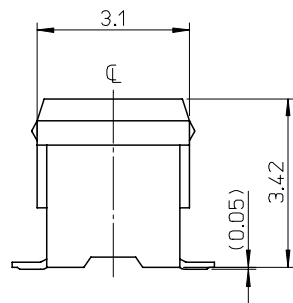
Email & Skype: info@chipsmall.com Web: www.chipsmall.com

Address: A1208, Overseas Decoration Building, #122 Zhenhua RD., Futian, Shenzhen, China





SECTION Z-Z

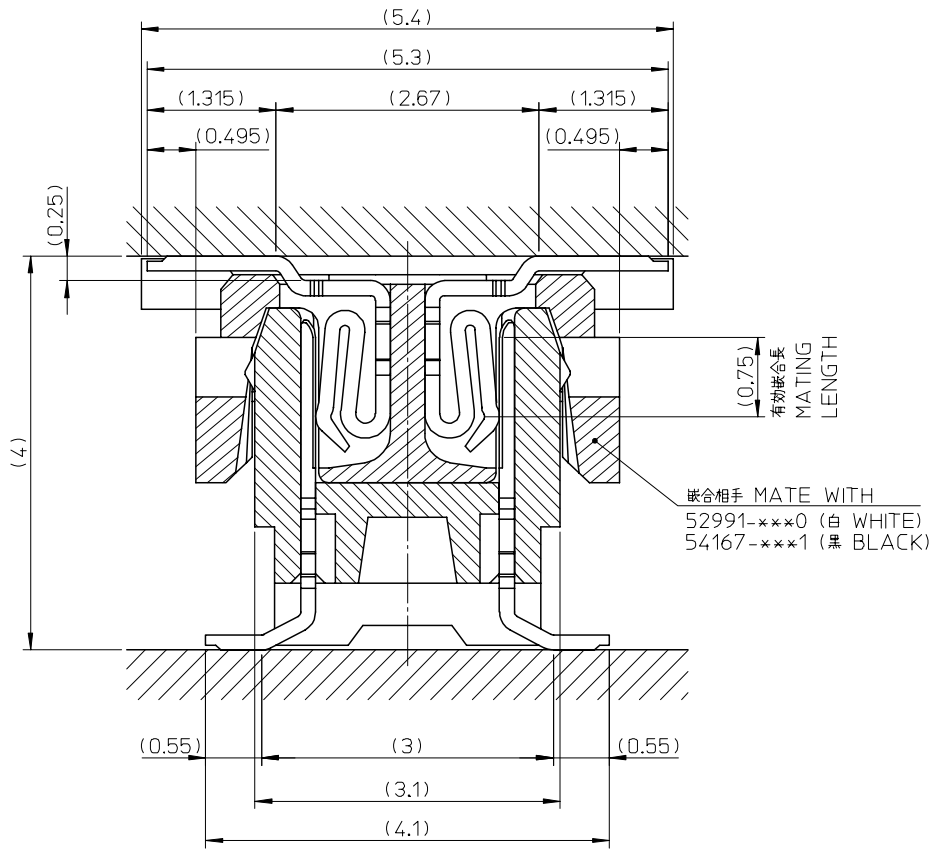


NOTES

- 材質
MATERIAL
ハウジング: LCP(液晶ポリマー)、ガラス充填、黒色、UL94V-0
HOUSING: GLASS FILLED LIQUID CRYSTAL POLYMER, BLACK, UL94V-0
ターミナル: 銅合金 (t=0.15)
TERMINAL: COPPER ALLOY (t=0.15)
- メッキ仕様
PLATING
ターミナル
TERMINAL
接点部: 金メッキ
CONTACT AREA: GOLD
半田付け部: 錫メッキ
SOLDER TAIL AREA: TIN
下地メッキ: ニッケルメッキ
UNDER PLATING: NICKEL
- テール平坦度: 0.1 MAX.
COPLANARITY: 0.1 MAXIMUM
- ELV AND RoHS COMPLIANT.

10.24	9.5	12.3	501920-4001	501920-4009	40
7.74	7.0	9.8	501920-3001	501920-3009	30
C	B	A	エンボス梱包 EMBOSSSED TAPE PACKAGING	製品番号 MATERIAL NO.	CIRCUIT

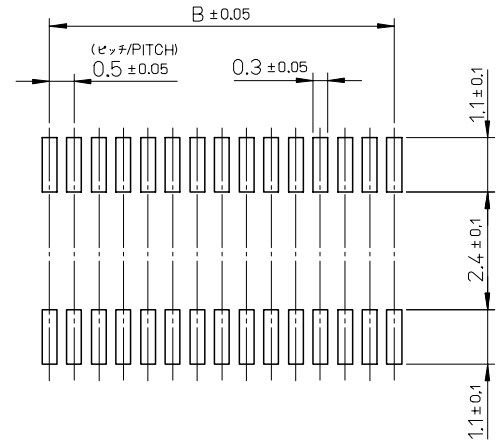
REVISED EC NO: J2007-3102 DRWN: A0YAGI 2007/05/24 CHKD: M. SOGAYA 2007/05/25 APPR: NUKITA 2007/05/25	GENERAL TOLERANCES (UNLESS SPECIFIED)		DIMENSION STYLE MM ONLY		SCALE 10:1	DESIGN UNITS METRIC	THIRD ANGLE PROJECTION
	10 UNDER	±0.2	DRAWN BY M. ISOGAYA	DATE 2005/08/17	TITLE 0.5 PITCH B/B CONN. PLUG HSG ASSY		
	10 OVER 30 UNDER	±0.25	CHECKED BY T. HIRATA	DATE 2005/08/17			
	30 OVER	±0.3	APPROVED BY M. SASAO	DATE 2005/08/17			
ANGULAR	±1 °	MATERIAL NO.		DOCUMENT NO. SD-501920-001		SHEET NO. 1 OF 2	
DRAFT WHERE APPLICABLE MUST REMAIN WITHIN DIMENSIONS		SEE TABLE		MOLEX INCORPORATED			
THIS DRAWING CONTAINS INFORMATION THAT IS PROPRIETARY TO MOLEX INCORPORATED AND SHOULD NOT BE USED WITHOUT WRITTEN PERMISSION							



(0.75)
有効嵌合長
MATING
LENGTH

嵌合相手 MATE WITH
52991-***0 (白 WHITE)
54167-***1 (黒 BLACK)

嵌合断面図(参考)
MATED DRAWING (REF.)



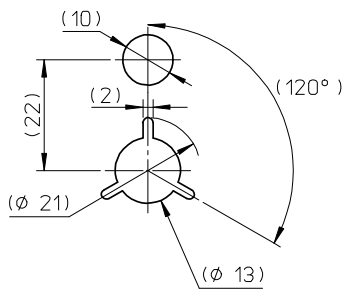
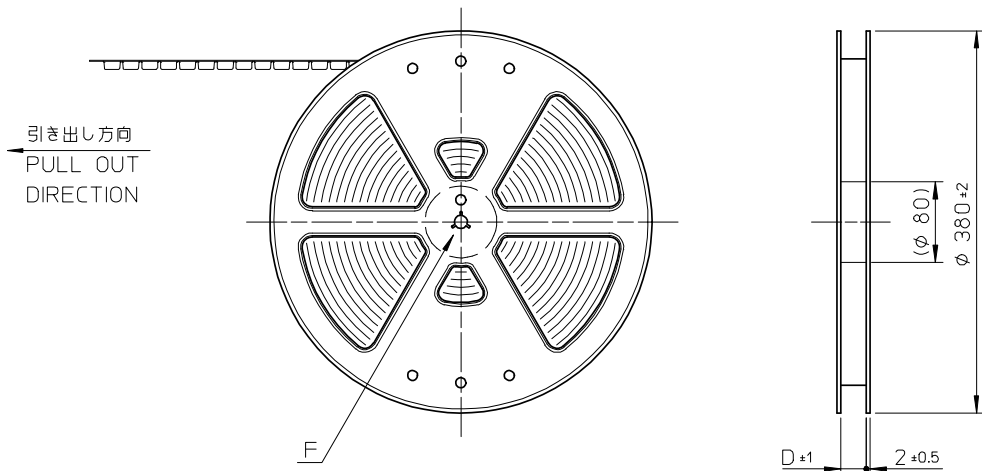
参考基板レイアウト(マウント面)
RECOMMENDED P.C.BOARD
PATTERN DIMENSION (REF.)
(MOUNT AREA) (SCALE 10:1)

REVISED	DESCRIPTION
EC NO: J2007-3102	2007/05/24
DRWN: A0YAGI	2007/05/25
CHKD: M SOGAYA	
APPR: NUKITA	2007/05/25

GENERAL TOLERANCES (UNLESS SPECIFIED)	
10 UNDER	± 0.2
10 OVER 30 UNDER	± 0.25
30 OVER	± 0.3
ANGULAR	± 1 °
DRAFT WHERE APPLICABLE MUST REMAIN WITHIN DIMENSIONS	

DIMENSION STYLE MM ONLY	
DRAWN BY	DATE
M. ISOGAYA	2005/08/17
CHECKED BY	DATE
T. HIRATA	2005/08/17
APPROVED BY	DATE
M. SASAO	2005/08/17
MATERIAL NO.	
SEE SHEET 1	
SIZE	
A3	

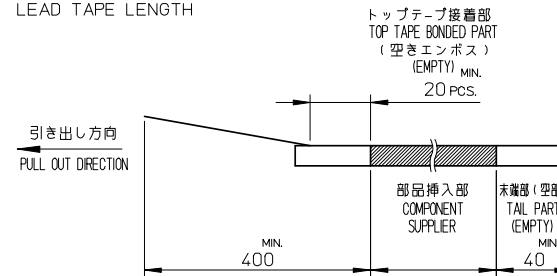
501920-**09		MODEL NO.
SCALE	DESIGN UNITS	THIRD ANGLE PROJECTION
20:1	METRIC	
TITLE		
0.5 PITCH B/B CONN. PLUG HSG ASSY		
MOLEX INCORPORATED		
DOCUMENT NO.		SHEET NO.
SD-501920-001		2 OF 2



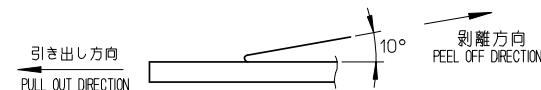
DETAIL F

NOTES

- 製品詳細寸法については、製品単体図面を御参照下さい。
For detail of connector dimensions, please see the drawing of connector itself (not packaged)
- 梱包数量 : 1500 個/リール
NUMBER OF CONNECTORS : 1500 PCS/REEL
- リードテープ長さ
LEAD TAPE LENGTH

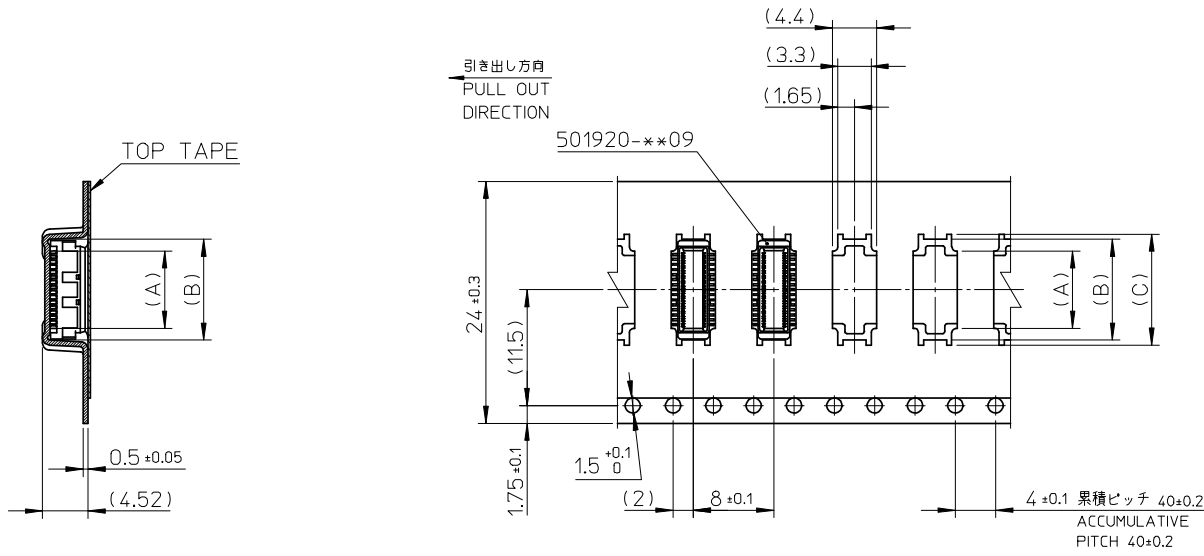


- トップテープの剥離強度 : 0.1N ~ 1.3N (10gf~130gf)
(剥離方向は下図参照)
尚、本規格値は、出荷時に適用。(但し、輸送時に剥離が発生しない事。)
PEELING OFF FORCE OF TOP TAPE 0.1N~1.3N (10gf~130gf)
(PEELING DIRECTION AS SHOWN IN FOLLOWING FIG.)
THIS REQUIREMENT SHOULD BE APPLIED AT SHIPMENT.
(PEEL OFF SHOULD NOT BE ALLOWED, DURING TRANSPORTATION.)



- 材料
キャリアテープ : ポリプロピレン
トップテープ : PET ,PE ,PEF
リール : ポリスチレン(PS) <リサイクル材を含む>
MATERIAL
CARRIER TAPE : POLYPROPYLENE
TOP TAPE : PET ,PE ,PEF
REEL : POLYSTYRENE(PS) <RECYCLE MATERIAL CONTAINED>
- ELV AND RoHS COMPLIANT.

REVISED EC NO: J2008-2863 DRWN:TKAHO 2008/01/29 CHKD:MSASAO 2008/01/29 APPR:MSASAO 2008/02/05	DESCRIPTION	GENERAL TOLERANCES (UNLESS SPECIFIED)		DIMENSION STYLE MM ONLY		501920-**-01		MODEL NO.		
		10 UNDER ±0.2		DRAWN BY DATE M. ISOGAYA 2005/08/18		SCALE -#	DESIGN UNITS METRIC	THIRD ANGLE PROJECTION		
		10 OVER 30 UNDER ±0.25		CHECKED BY DATE T. HIRATA 2005/08/18		TITLE EMBSTP PKG FOR 0.5 PITCH B/B CONN. PLUG HSG ASSY				
		30 OVER ±0.3		APPROVED BY DATE M. SASAO 2005/08/18						
REV	DESCRIPTION	ANGULAR ±1 °		MATERIAL NO. SEE SHEET 2		DOCUMENT NO. SD-501920-002		SHEET NO. 1 OF 2		
		DRAFT WHERE APPLICABLE MUST REMAIN WITHIN DIMENSIONS		SIZE A3		MOLEX INCORPORATED THIS DRAWING CONTAINS INFORMATION THAT IS PROPRIETARY TO MOLEX INCORPORATED AND SHOULD NOT BE USED WITHOUT WRITTEN PERMISSION				



24mm幅キャリアテープ
24mm WIDTH CARRIER TAPE

24	25.4	16.0	15.0	12.67	501920-5001	50
		13.5	12.5	10.17	501920-4001	40
		11.0	10.0	7.67	501920-3001	30
キャリアテープ幅 CARRIER TAPE WIDTH	D	(C)	(B)	(A)	MATERIAL NO.	CIRCUIT

REVISED EC NO: J2008-2863 DRWN:TKAIHO 2008/01/29 CHKD:MSASAO 2008/01/29 APPR:MSASAO 2008/02/05 REV DESCRIPTION	GENERAL TOLERANCES (UNLESS SPECIFIED)		DIMENSION STYLE MM ONLY		SCALE //	DESIGN UNITS METRIC	THIRD ANGLE PROJECTION
	10 UNDER	±0.2	DRAWN BY M. ISOGAYA	DATE 2005/08/18	TITLE EMBSTP PKG FOR 0.5 PITCH B/B CONN. PLUG HSG ASSY		
	10 OVER 30 UNDER	±0.25	CHECKED BY T. HIRATA	DATE 2005/08/18	MOLEX INCORPORATED		
	30 OVER	±0.3	APPROVED BY M. SASAO	DATE 2005/08/18	DOCUMENT NO. SD-501920-002		
	ANGULAR ±1 ° DRAFT WHERE APPLICABLE MUST REMAIN WITHIN DIMENSIONS		MATERIAL NO. SEE TABLE		SHEET NO. 2 OF 2		