



Chipsmall Limited consists of a professional team with an average of over 10 year of expertise in the distribution of electronic components. Based in Hongkong, we have already established firm and mutual-benefit business relationships with customers from,Europe,America and south Asia,supplying obsolete and hard-to-find components to meet their specific needs.

With the principle of "Quality Parts,Customers Priority,Honest Operation,and Considerate Service",our business mainly focus on the distribution of electronic components. Line cards we deal with include Microchip,ALPS,ROHM,Xilinx,Pulse,ON,Everlight and Freescale. Main products comprise IC,Modules,Potentiometer,IC Socket,Relay,Connector.Our parts cover such applications as commercial,industrial, and automotives areas.

We are looking forward to setting up business relationship with you and hope to provide you with the best service and solution. Let us make a better world for our industry!



## Contact us

Tel: +86-755-8981 8866 Fax: +86-755-8427 6832

Email & Skype: info@chipsmall.com Web: www.chipsmall.com

Address: A1208, Overseas Decoration Building, #122 Zhenhua RD., Futian, Shenzhen, China

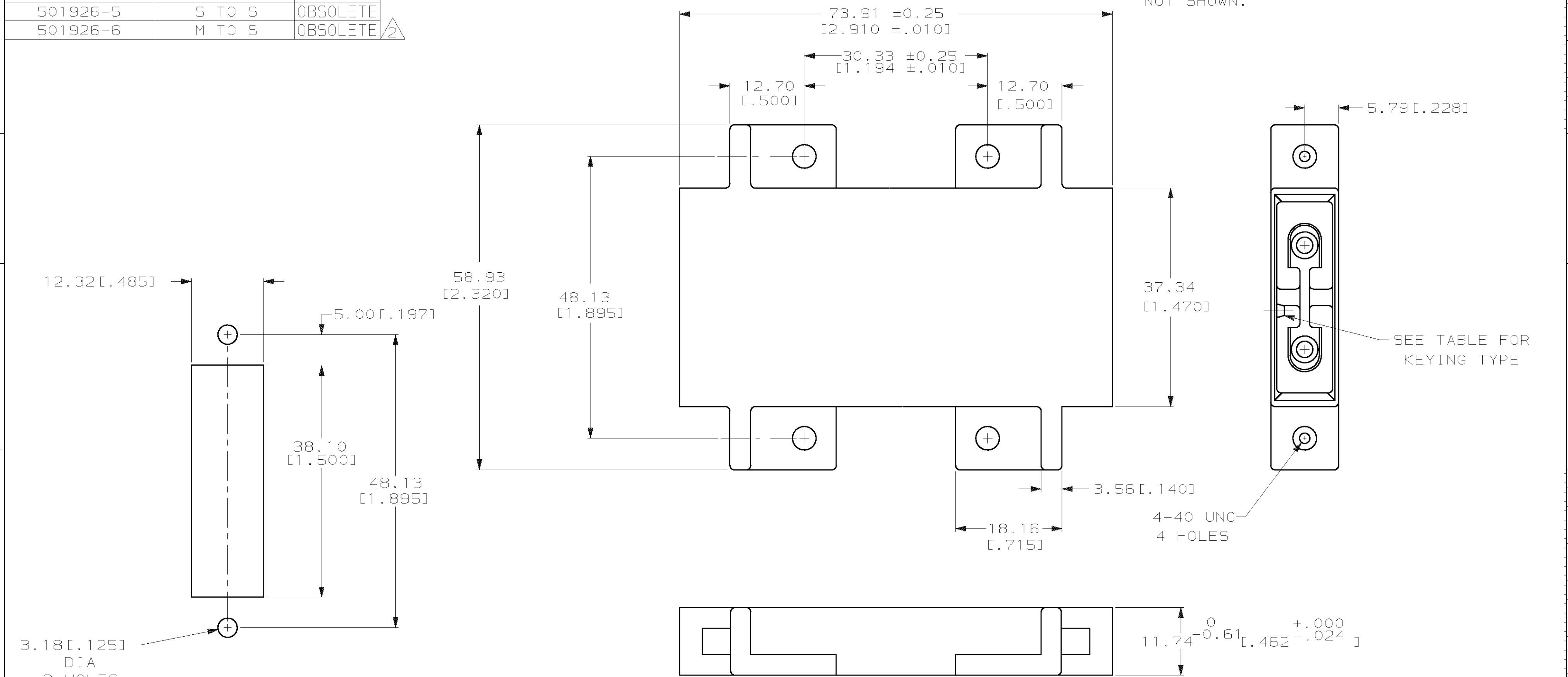


THIS DRAWING IS UNPUBLISHED. RELEASED FOR PUBLICATION, 19 .  
 © COPYRIGHT 19 BY AMP INCORPORATED. ALL INTERNATIONAL RIGHTS RESERVED.

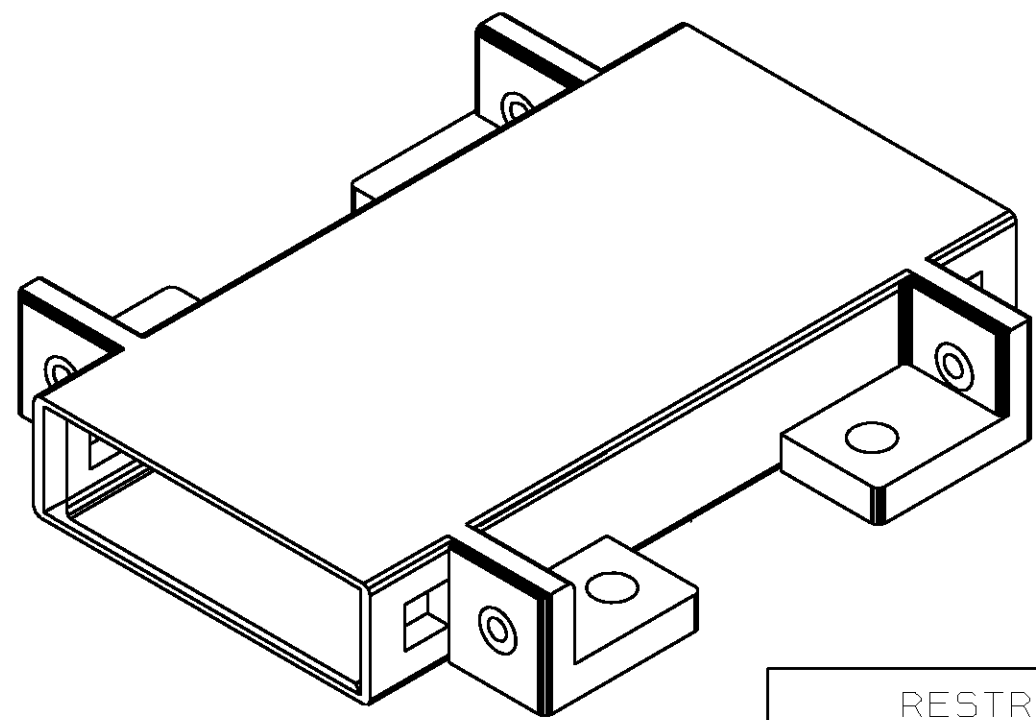
LOC	DIST	P	F	ZONE	LTR	DESCRIPTION	DATE	APPD
CE	16				F	REVISED PER 0A00-0588-03	26MAR04	KG/SB

PART NUMBER	KEYING TYPE	
501926-1	A TO B	
501926-2	M TO S	
501926-3	A TO A	OBSOLETE
501926-4	B TO B	OBSOLETE
501926-5	S TO S	OBSOLETE
501926-6	M TO S	OBSOLETE

1. DIMENSIONS IN [ ] ARE IN INCHES.  
 2. DUST COVER W/O MOUNTING STRAP INCLUDED, NOT SHOWN.



SUGGESTED MOUNTING PATTERN



METRIC

RESTRICTED RELEASE  
 DRAWING MAY CHANGE WITHOUT  
 CUSTOMER NOTIFICATION

DO NOT SCALE PRINT. UNLESS SPECIFIED DIMENSIONS IN mm TOLERANCES ON:		PART NO	
2 PLC DEC ± 0.13[.005]	3 PLC DEC ± -	AMP INCORPORATED Harrisburg, Pa. 17105	
ANGLES ± -	MATERIAL	NAME	
PBT MOLDING COMPOUND	FINISH	DUPLX TO DUPLX COUPLING ASSEMBLY, WITH MOUNTING EARS, WITH #4-40 THD INSERTS, AMP FSD	
-	-	SIZE	FSCM NO
-	-	C	00779
-	-	SCALE	DRAWING NO
-	-	2:1	501926
-	-		SHEET 1 OF 1