



Chipsmall Limited consists of a professional team with an average of over 10 year of expertise in the distribution of electronic components. Based in Hongkong, we have already established firm and mutual-benefit business relationships with customers from,Europe,America and south Asia,supplying obsolete and hard-to-find components to meet their specific needs.

With the principle of "Quality Parts,Customers Priority,Honest Operation,and Considerate Service",our business mainly focus on the distribution of electronic components. Line cards we deal with include Microchip,ALPS,ROHM,Xilinx,Pulse,ON,Everlight and Freescale. Main products comprise IC,Modules,Potentiometer,IC Socket,Relay,Connector.Our parts cover such applications as commercial,industrial, and automotives areas.

We are looking forward to setting up business relationship with you and hope to provide you with the best service and solution. Let us make a better world for our industry!



Contact us

Tel: +86-755-8981 8866 Fax: +86-755-8427 6832

Email & Skype: info@chipsmall.com Web: www.chipsmall.com

Address: A1208, Overseas Decoration Building, #122 Zhenhua RD., Futian, Shenzhen, China



10 9 8 7 6 5 4 3 2 1

F

E

D

C

B

A

F

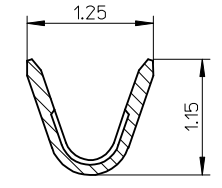
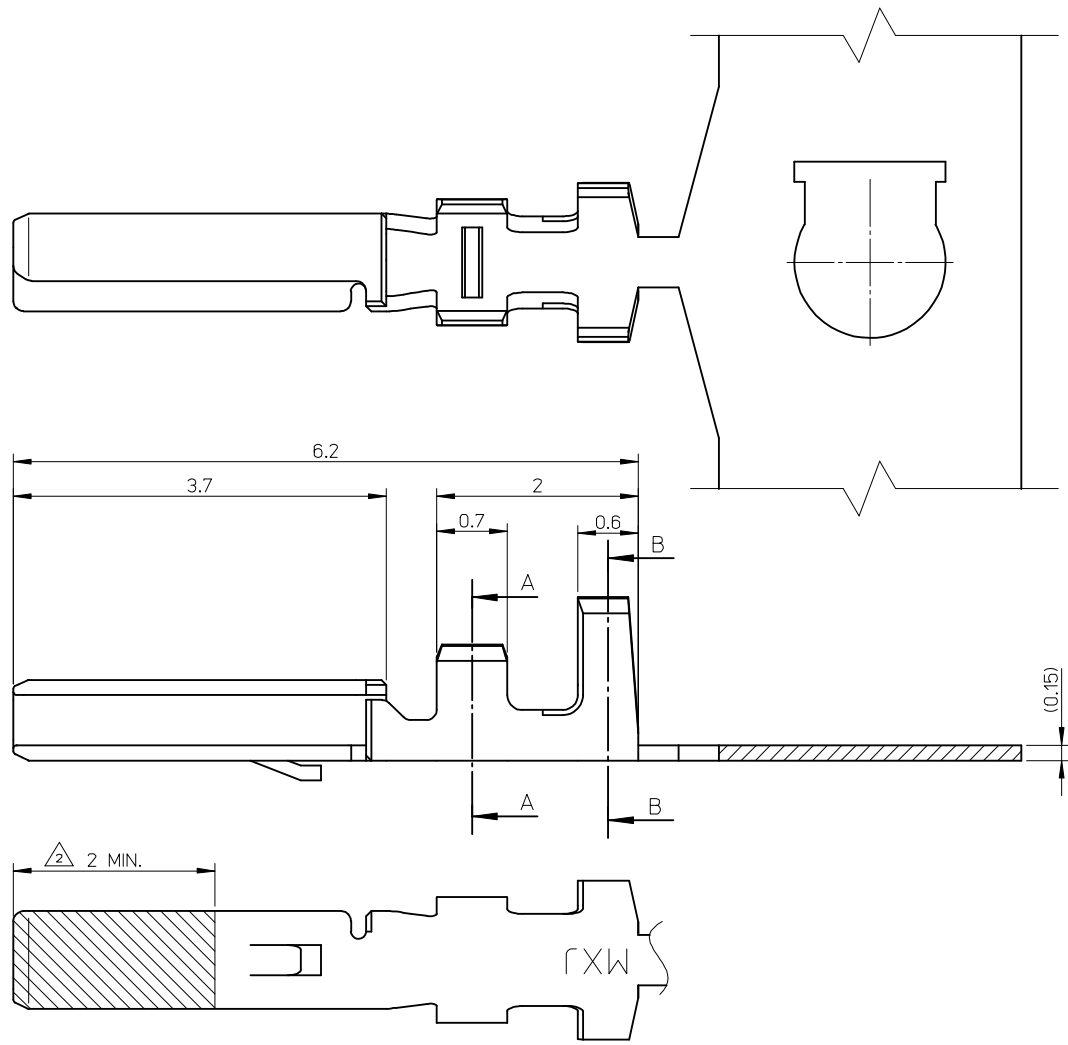
E

D

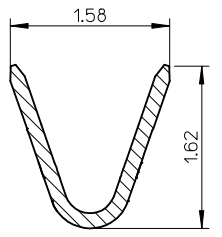
C

B

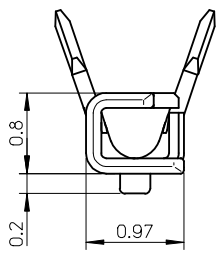
A



SECTION A-A



SECTION B-B



NOTES

- 適合ハウジング : 501929-****, 503110-****.
APPLICABLE HOUSING : 501929-****, 503110-****.
- 図示の斜線部の範囲は、接点部のため、傷、打痕、汚れなどを付けないようにして下さい。
PLEASE DON'T DAMAGE, DON'T DENT, AND DON'T MAKE IT DIRTY.
BECAUSE THE RANGE IN THE SHADED PORTION SHOWN IN FIGURE IS THE CONTACT AREA.
- ELV 及び RoHS 適合品
ELV AND RoHS COMPLIANT

φ0.8-1.0mm	AWG#26-28	501930-1100	連鎖状 CHAIN
絶縁被覆外径範囲 INS. RANGE	適用電線範囲 WIRE RANGE	製品番号 MATERIAL NO.	端子形状 FORM

部品 PART	材質 MATERIAL
ターミナル TERMINAL	銅合金 COPPER ALLOY
	金めっき (接点部) : 0.1 micro-meter MIN. GOLD (CONTACT AREA)
	錫めっき (圧着部) : 0.5 micro-meter MIN. TIN (TAIL AREA)
	ニッケルめっき (下地) : 1.0 micro-meter MIN. NICKEL (UNDER PLATING)

REVISED	EC NO. J2009-0621	DRW:KSETO 2008/09/09	CHK:D:SMARUYAMA 2008/09/09	APPR:S:ICHIKAWA 2008/09/09	GENERAL TOLERANCES (UNLESS SPECIFIED)	
					DESCRIPTION	REVISION
					10 UNDER	±0.2
					10 OVER 30 UNDER	±0.25
					30 OVER	±0.3
					ANGULAR	±3 °
					DRAFT WHERE APPLICABLE MUST REMAIN WITHIN DIMENSIONS	

DIMENSION STYLE		SCALE		DESIGN UNITS		THIRD ANGLE PROJECTION	
MM ONLY		20:1		METRIC		THIRD ANGLE PROJECTION	
DRAWN BY	DATE	TITLE					
T. MIYAZAKI	2006/03/13	1.25 W/B CONN. DUAL PLUG TERMINAL					
CHECKED BY	DATE						
K. ASAKAWA	2006/03/13						
APPROVED BY	DATE						
S. ICHIKAWA	2006/03/13						
MATERIAL NO.	DOCUMENT NO.						
SEE TABLE	SD-501930-001						
SIZE	THIS DRAWING CONTAINS INFORMATION THAT IS PROPRIETARY TO MOLEX INCORPORATED AND SHOULD NOT BE USED WITHOUT WRITTEN PERMISSION						
A3							