



Chipsmall Limited consists of a professional team with an average of over 10 year of expertise in the distribution of electronic components. Based in Hongkong, we have already established firm and mutual-benefit business relationships with customers from,Europe,America and south Asia,supplying obsolete and hard-to-find components to meet their specific needs.

With the principle of “Quality Parts,Customers Priority,Honest Operation,and Considerate Service”,our business mainly focus on the distribution of electronic components. Line cards we deal with include Microchip,ALPS,ROHM,Xilinx,Pulse,ON,Everlight and Freescale. Main products comprise IC,Modules,Potentiometer,IC Socket,Relay,Connector.Our parts cover such applications as commercial,industrial, and automotives areas.

We are looking forward to setting up business relationship with you and hope to provide you with the best service and solution. Let us make a better world for our industry!



Contact us

Tel: +86-755-8981 8866 Fax: +86-755-8427 6832

Email & Skype: info@chipsmall.com Web: www.chipsmall.com

Address: A1208, Overseas Decoration Building, #122 Zhenhua RD., Futian, Shenzhen, China



10

9

8

7

6

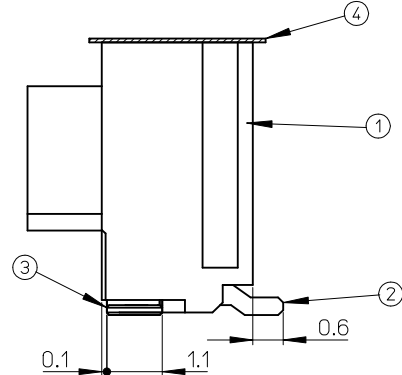
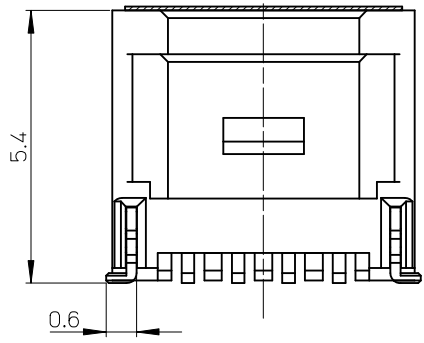
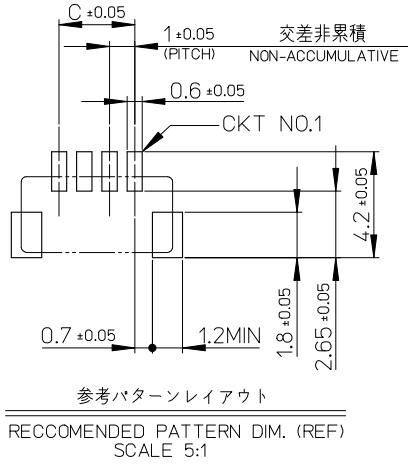
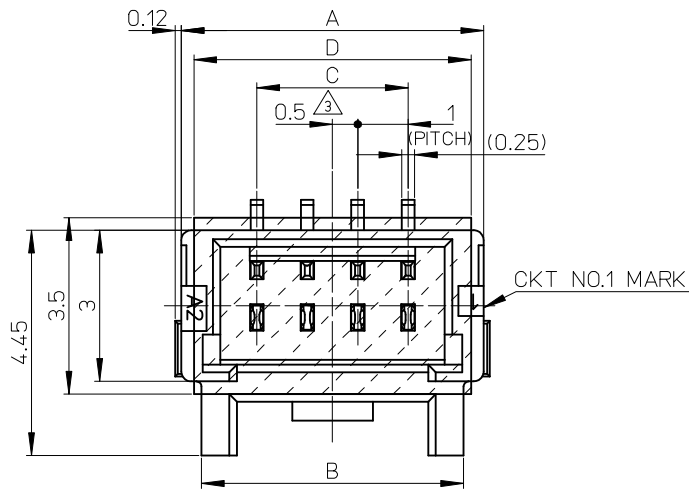
5

4

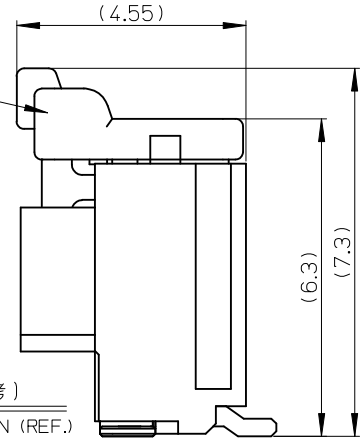
3

2

1



501939-**0*
501939-**3*



番号 NO.	部品 PART	材質 MATERIAL
①	ウェハー WAFER	耐熱ナイロン樹脂 UL94V-0 色:表参照 HEAT RESISTANCE NYLON, UL94V-0, COLOR:SEE TABLE
②	ソルダーピン SOLDER PIN	りん青銅 PHOSPHOR BRONZE 錫メッキ: 1.0µmMIN. TIN ニッケルメッキ(下地): 1.0µmMIN. NICKEL(UNDER PLATING)
③	ネイル NAIL	りん青銅 PHOSPHOR BRONZE 錫メッキ: 1.0µmMIN. TIN ニッケルメッキ(下地): 1.0µmMIN. NICKEL(UNDER PLATING)
④	カバーテープ COVER TAPE	ポリイミドテープ POLYIMIDE TAPE

NOTES.

- 嵌合相手: 501939-****
MATE WITH: 501939-****
- ソルダーピン及びネイル平坦度は、0.1MAX.
SOLDER PIN AND NAIL COPLANARITY TO BE 0.1MAX.
- △ 極数=偶数に適用
APPLY FOR CKT SIZE=EVEN

6.5	4.0	5.2	7.0	5
5.5	3.0		6.0	4
4.5	2.0	4.2	5.0	3
D	C	B	A	極数 CIRCUITS

CONNECTOR SERIES No. 501940-****9

REVISED EC NO: J2010-0339 DRWN: TAKAGAWA01 2009/09/01 CHKD: MATSUMOTO 2009/09/01 APPR: HIRATA 2009/09/01	GENERAL TOLERANCES (UNLESS SPECIFIED)		DIMENSION STYLE MM ONLY		SCALE 10:1	DESIGN UNITS METRIC	THIRD ANGLE PROJECTION	
	10 UNDER	± 0.2	DRAWN BY NYOSHIDA	DATE 2005/09/16	TITLE 1.0 WIRE TO BOARD CONN. WAFER ASS'Y 1-ROW ST POSI-LOCK -LEAD FREE-			
	10 OVER 30 UNDER	± 0.25	CHECKED BY AMIZUMURA	DATE 2005/09/16	MOLEX INCORPORATED			
	30 OVER	± 0.3	APPROVED BY MYAGI	DATE 2005/09/16	DOCUMENT NO. SD-501940-001			
	ANGULAR ± 3 °		MATERIAL NO. SEE SHEET 2		SHEET NO. 1 OF 2			
DRAFT WHERE APPLICABLE MUST REMAIN WITHIN DIMENSIONS		THIS DRAWING CONTAINS INFORMATION THAT IS PROPRIETARY TO MOLEX INCORPORATED AND SHOULD NOT BE USED WITHOUT WRITTEN PERMISSION						

9

8

7

6

5

4

3

2

F

F

E

E

D

D

C

C

B

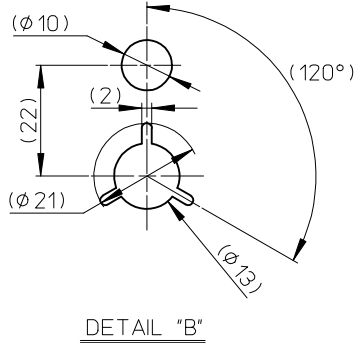
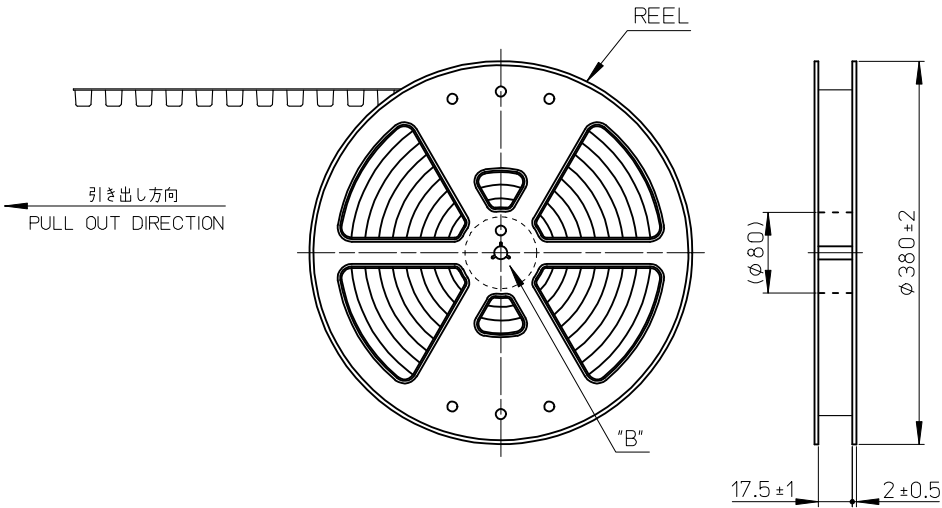
B

A

A

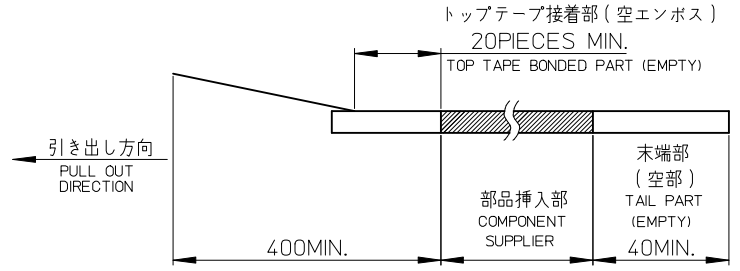
	紫 PA46 VIOLET	橙 PA46 ORANGE	茶 PA46 BROWN	緑 PA46 GREEN	色 COLOR
	501940-0597	501940-0587	501940-0577	501940-0567	5
	501940-0497	501940-0487	501940-0477	501940-0467	4
	501940-0397	501940-0387	501940-0377	501940-0367	3
	EMBOSSSED PACKAGE	EMBOSSSED PACKAGE	EMBOSSSED PACKAGE	EMBOSSSED PACKAGE	極数
	オーダー番号 ORDER NO.	オーダー番号 ORDER NO.	オーダー番号 ORDER NO.	オーダー番号 ORDER NO.	CIRCUITS
CONNECTOR SERIES No. 501940-***9					
	青 PA46 BLUE	黄 PA46 YELLOW	赤 PA46 RED	黒 PA46 BLACK	自然色 PA6T NATURAL
	501940-0547	501940-0537	501940-0527		501940-0507
	501940-0447	501940-0437	501940-0427	501940-0417	501940-0407
	501940-0347	501940-0337	501940-0327	501940-0317	501940-0307
	EMBOSSSED PACKAGE	EMBOSSSED PACKAGE	EMBOSSSED PACKAGE	EMBOSSSED PACKAGE	EMBOSSSED PACKAGE
	オーダー番号 ORDER NO.	オーダー番号 ORDER NO.	オーダー番号 ORDER NO.	オーダー番号 ORDER NO.	オーダー番号 ORDER NO.
					極数
					CIRCUITS
CONNECTOR SERIES No. 501940-***9					

REVISED EC NO: J2010-0339 DRWN: TAKAGAWA01 2009/09/01 CHKD: MATSUMOTO 2009/09/01 APPR: HIRATA 2009/09/01	DESCRIPTION REV	GENERAL TOLERANCES (UNLESS SPECIFIED)		DIMENSION STYLE MM ONLY		SCALE 10:1	DESIGN UNITS METRIC	THIRD ANGLE PROJECTION		
		10 UNDER	±0.2	DRAWN BY NYOSHIDA	DATE 2005/09/16	TITLE 1.0 WIRE TO BOARD CONN. WAFER ASS'Y 1-ROW ST POSI-LOCK -LEAD FREE- MOLEX INCORPORATED SD-501940-001				
		10 OVER 30 UNDER	±0.25	CHECKED BY AMIZUMURA	DATE 2005/09/16					
		30 OVER	±0.3	APPROVED BY MYAGI	DATE 2005/09/16					
ANGULAR ±3 °		DRAFT WHERE APPLICABLE MUST REMAIN WITHIN DIMENSIONS		MATERIAL NO. SEE TABLE		DOCUMENT NO. SD-501940-001		SHEET NO. 2 OF 2		
THIS DRAWING CONTAINS INFORMATION THAT IS PROPRIETARY TO MOLEX INCORPORATED AND SHOULD NOT BE USED WITHOUT WRITTEN PERMISSION										



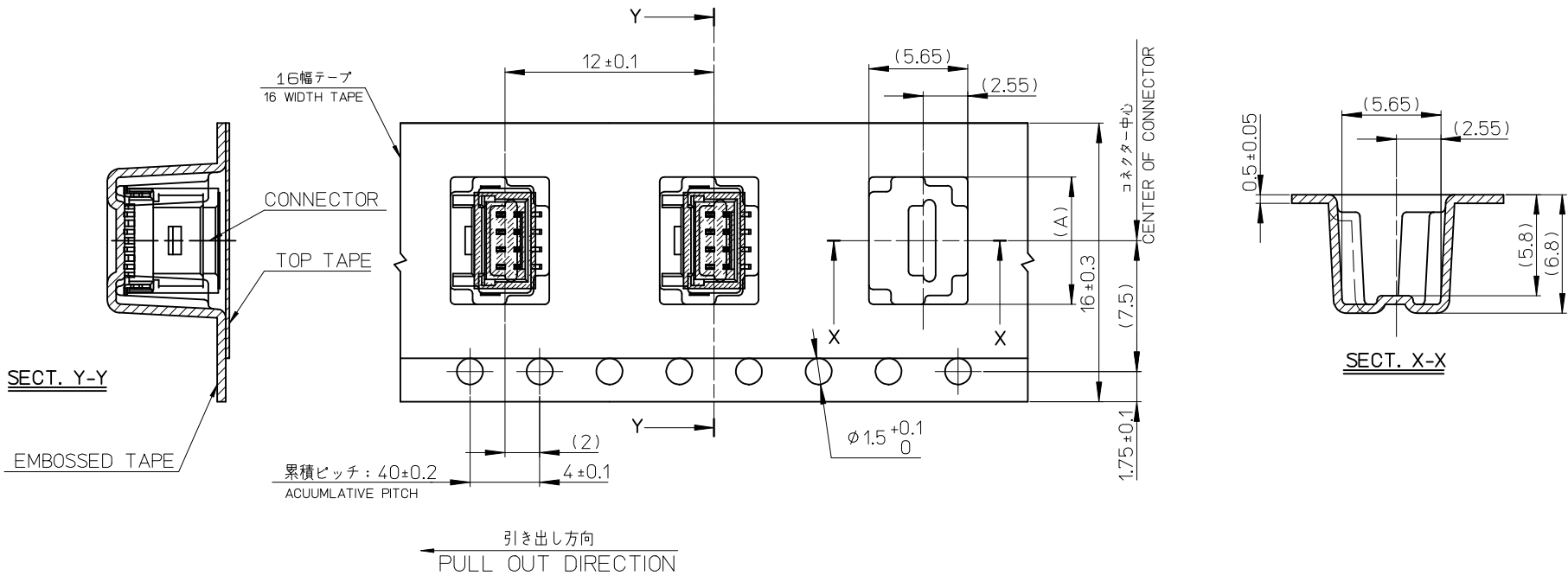
NOTES

1. 製品詳細寸法については製品単体図面を参照ください。
RE DETAILED DIMENSION, SEE PRODUCT DRAWING.
2. 梱包数量：1100個/リール
NUMBER OF CONNECTORS : 1100PIECES/REEL
3. リードテープ長さ
LEAD TAPE LENGTH



4. 材料
MATERIAL
キャリアテープ：ポリスチレン
CARRIER TAPE : POLYSTYRENE
トップテープ：PET、その他
TOP TAPE : PET, OTHER
リール：ポリスチレン<リサイクル材を含む>
REEL : POLYSTYRENE <RECYCLE MATERIAL CONTAINED >
5. ハイバリア梱包 (シリカゲル入り) 対応品である。(501940-**07除く)
THIS PRODUCT IS HIGH BARRIER PACKAGE.(WITH SILICAGEL)
(BESIDES 501940-**07)
6. 開梱後の保管条件に注意のこと。(ハイバリア品対象：PS-501940-001参照)
REFER TO PS-501940-001(HIGH BARRIER PRODUCT)
FOR CONDITIONS AFTER OPEN.

REVISED EC NO: J2010-0339 DRWN: TAKAGAWA01 2009/09/01 CHKD: MATSUMOTO 2009/09/01 APPR: HIRATA 2009/09/01	GENERAL TOLERANCES (UNLESS SPECIFIED)		DIMENSION STYLE MM ONLY		SCALE ---	DESIGN UNITS METRIC	THIRD ANGLE PROJECTION	
	10 UNDER	±0.2	DRAWN BY NYOSHIDA	DATE 2005/09/16	TITLE 1.0 WIRE TO BOARD CONN. WAFER ASS'Y 1-ROW ST EMBSTP PKG -LEAD FREE-			
	10 OVER 30 UNDER	±0.25	CHECKED BY AMIZUMURA	DATE 2005/09/16	MOLEX INCORPORATED			
	30 OVER	±0.3	APPROVED BY MYAGI	DATE 2005/09/16	MATERIAL NO. SEE SHEET 3	DOCUMENT NO. SD-501940-002	SHEET NO. 1 OF 3	
	ANGULAR ±3 °	THIS DRAWING CONTAINS INFORMATION THAT IS PROPRIETARY TO MOLEX INCORPORATED AND SHOULD NOT BE USED WITHOUT WRITTEN PERMISSION						
	DRAFT WHERE APPLICABLE MUST REMAIN WITHIN DIMENSIONS							



8.3	5
7.3	4
6.3	3
(A)	極数 CIRCUITS

REVISED EC NO: J2010-0339 DRWN: TAKAGAWA01 2009/09/01 CHKD: MATSUMOTO 2009/09/01 APPR: HIRATA 2009/09/01	GENERAL TOLERANCES (UNLESS SPECIFIED)		DIMENSION STYLE MM ONLY		CONNECTOR SERIES No. 501940-***9		
	10 UNDER	± 0.2	DRAWN BY	DATE	SCALE	DESIGN UNITS	
	10 OVER 30 UNDER	± 0.25	NYOSHIDA	2005/09/16	---	METRIC	
	30 OVER	± 0.3	CHECKED BY	DATE	THIRD ANGLE PROJECTION		
	ANGULAR	± 3 °	AMIZUMURA	2005/09/16	TITLE		
	DRAFT WHERE APPLICABLE MUST REMAIN WITHIN DIMENSIONS	APPROVED BY	DATE	1.0 WIRE TO BOARD CONN. WAFER ASS'Y 1-ROW ST EMBSTP PKG -LEAD FREE-			
		MYAGI	2005/09/16	MOLEX INCORPORATED			
		MATERIAL NO.		DOCUMENT NO.		SHEET NO.	
		SEE SHEET 3		SD-501940-002		2 OF 3	
		SIZE A3	THIS DRAWING CONTAINS INFORMATION THAT IS PROPRIETARY TO MOLEX INCORPORATED AND SHOULD NOT BE USED WITHOUT WRITTEN PERMISSION				

10 9 8 7 6 5 4 3 2 1

F

E

D

C

B

A

紫 VIOLET	橙 ORANGE	茶 BROWN	緑 GREEN	色 COLOR
501940-0597	501940-0587	501940-0577	501940-0567	5
501940-0497	501940-0487	501940-0477	501940-0467	4
501940-0397	501940-0387	501940-0377	501940-0367	3
EMBOSSSED PACKAGE	EMBOSSSED PACKAGE	EMBOSSSED PACKAGE	EMBOSSSED PACKAGE	極数
オーダー番号 ORDER NO.	オーダー番号 ORDER NO.	オーダー番号 ORDER NO.	オーダー番号 ORDER NO.	CIRCUITS

CONNECTOR SERIES No. 501940-***9

青 BLUE	黄 YELLOW	赤 RED	黒 BLACK	自然色 NATURAL	色 COLOR
501940-0547	501940-0537	501940-0527		501940-0507	5
501940-0447	501940-0437	501940-0427	501940-0417	501940-0407	4
501940-0347	501940-0337	501940-0327	501940-0317	501940-0307	3
EMBOSSSED PACKAGE	EMBOSSSED PACKAGE	EMBOSSSED PACKAGE	EMBOSSSED PACKAGE	EMBOSSSED PACKAGE	極数
オーダー番号 ORDER NO.	オーダー番号 ORDER NO.	オーダー番号 ORDER NO.	オーダー番号 ORDER NO.	オーダー番号 ORDER NO.	CIRCUITS

CONNECTOR SERIES No. 501940-***9

REVISED EC NO: J2010-0339 DRWN: TAKAGAWA01 2009/09/01 CHKD: MATSUMOTO 2009/09/01 APPR: HIRATA 2009/09/01	DESCRIPTION REV	GENERAL TOLERANCES (UNLESS SPECIFIED)		DIMENSION STYLE MM ONLY		SCALE 10:1	DESIGN UNITS METRIC	THIRD ANGLE PROJECTION			
		10 UNDER	±0.2	DRAWN BY NYOSHIDA	DATE 2005/09/16	TITLE 1.0 WIRE TO BOARD CONN. WAFER ASS'Y 1-ROW ST POSI-LOCK -LEAD FREE- MOLEX INCORPORATED SD-501940-002					
		10 OVER 30 UNDER	±0.25	CHECKED BY AMIZUMURA	DATE 2005/09/16						
		30 OVER	±0.3	APPROVED BY MYAGI	DATE 2005/09/16						
ANGULAR ±3 °		DRAFT WHERE APPLICABLE MUST REMAIN WITHIN DIMENSIONS		MATERIAL NO. SEE TABLE		DOCUMENT NO. SD-501940-002		SHEET NO. 3 OF 3			
				SIZE A3		THIS DRAWING CONTAINS INFORMATION THAT IS PROPRIETARY TO MOLEX INCORPORATED AND SHOULD NOT BE USED WITHOUT WRITTEN PERMISSION					