



Chipsmall Limited consists of a professional team with an average of over 10 year of expertise in the distribution of electronic components. Based in Hongkong, we have already established firm and mutual-benefit business relationships with customers from,Europe,America and south Asia,supplying obsolete and hard-to-find components to meet their specific needs.

With the principle of "Quality Parts,Customers Priority,Honest Operation,and Considerate Service",our business mainly focus on the distribution of electronic components. Line cards we deal with include Microchip,ALPS,ROHM,Xilinx,Pulse,ON,Everlight and Freescale. Main products comprise IC,Modules,Potentiometer,IC Socket,Relay,Connector.Our parts cover such applications as commercial,industrial, and automotives areas.

We are looking forward to setting up business relationship with you and hope to provide you with the best service and solution. Let us make a better world for our industry!



Contact us

Tel: +86-755-8981 8866 Fax: +86-755-8427 6832

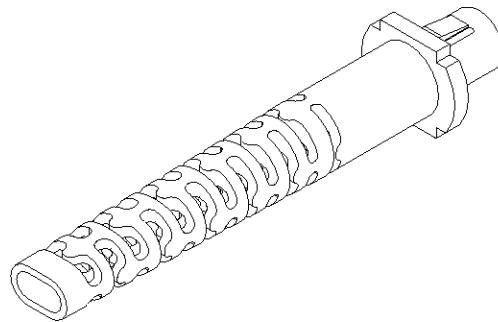
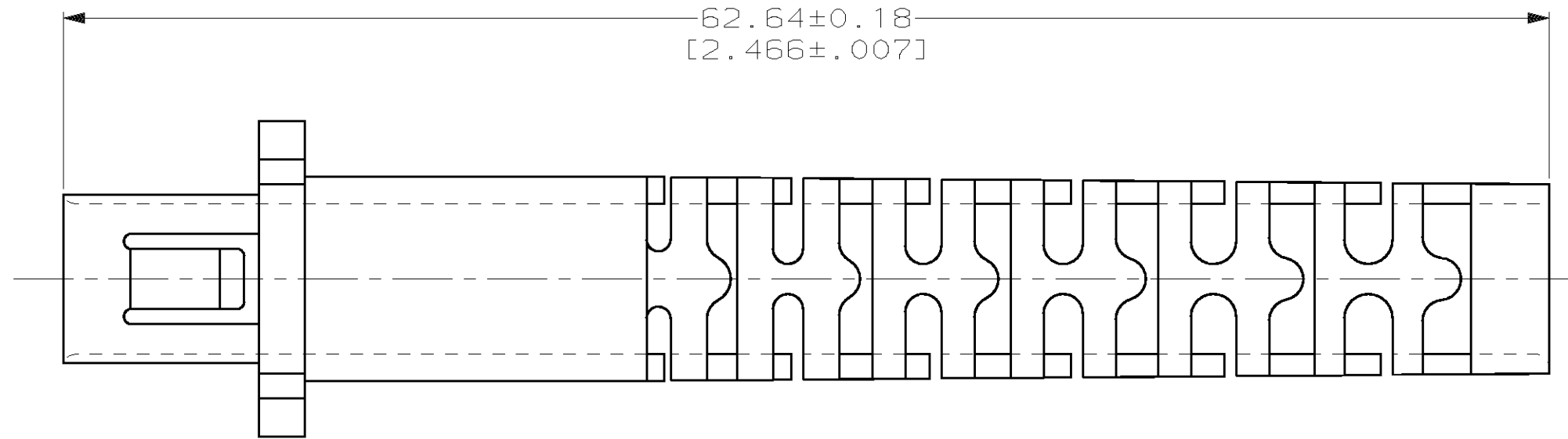
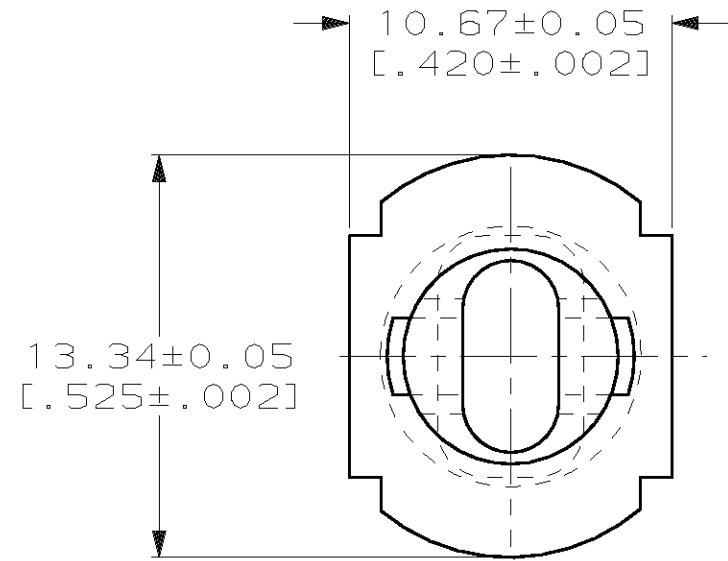
Email & Skype: info@chipsmall.com Web: www.chipsmall.com

Address: A1208, Overseas Decoration Building, #122 Zhenhua RD., Futian, Shenzhen, China



THIS DRAWING IS UNPUBLISHED. RELEASED FOR PUBLICATION, 19 .
© COPYRIGHT 19 BY AMP INCORPORATED. ALL INTERNATIONAL RIGHTS RESERVED.

LOC	DIST	P	F	ZONE	LTR	DESCRIPTION	DATE	APPD
CE	16				C	REV PER 0A00-0798-03	200CT03	DE/SB



- 1 POLYPROPYLENE MOLDING COMPOUND, COLOR: BEIGE
- 2 POLYPROPYLENE MOLDING COMPOUND, COLOR: DEC LT GRAY
- 3 POLYPROPYLENE MOLDING COMPOUND, COLOR: TANDEM BLACK

OBSOLETE	MATERIAL	PART NUMBER
3		502016-3
2		502016-2
1		502016-1

DO NOT SCALE PRINT. UNLESS SPECIFIED DIMENSIONS IN mm [INCHES] TOLERANCES ON: 2 PLC DEC ± .010 3 PLC DEC ± - ANGLES ± -		DR 12-16-92 R.HILEMAN	AMP AMP Incorporated Harrisburg, PA 17105-3608
MATERIAL POLYPROPYLENE		CHK 12-16-92 M.PETERSON	
FINISH SEE TABLE		APPD 12-16-92 M.PETERSON	NAME DUPLEX STRAIN RELIEF, LIGHT DUTY DUAL, FIXED SHROUD DUPLEX, OPTIMATE
		APPD 12-16-92 D.FISHER	SIZE B
		PRODUCT SPEC -	CAGE CODE 00779
		APPLICATION SPEC -	DRAWING NO C-502016
		WEIGHT -	SCALE 4:1
			SHEET 1 OF 1

THIS DRAWING IS A CONTROLLED DOCUMENT FOR AMP INCORPORATED. IT IS SUBJECT TO CHANGE AND THE CONTROLLING ENGINEERING ORGANIZATION SHOULD BE CONTACTED FOR THE LATEST REVISION.