



Chipsmall Limited consists of a professional team with an average of over 10 year of expertise in the distribution of electronic components. Based in Hongkong, we have already established firm and mutual-benefit business relationships with customers from,Europe,America and south Asia,supplying obsolete and hard-to-find components to meet their specific needs.

With the principle of “Quality Parts,Customers Priority,Honest Operation,and Considerate Service”,our business mainly focus on the distribution of electronic components. Line cards we deal with include Microchip,ALPS,ROHM,Xilinx,Pulse,ON,Everlight and Freescale. Main products comprise IC,Modules,Potentiometer,IC Socket,Relay,Connector.Our parts cover such applications as commercial,industrial, and automotives areas.

We are looking forward to setting up business relationship with you and hope to provide you with the best service and solution. Let us make a better world for our industry!



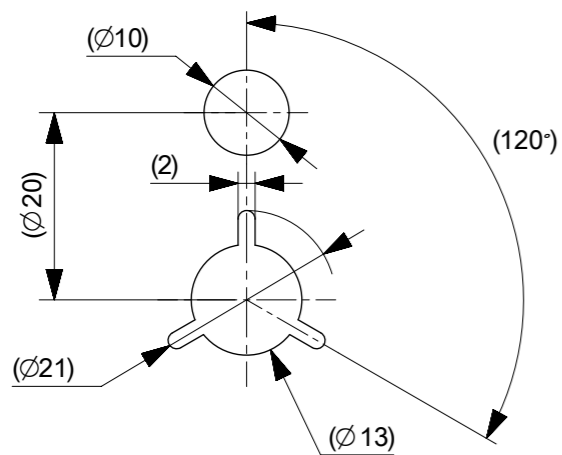
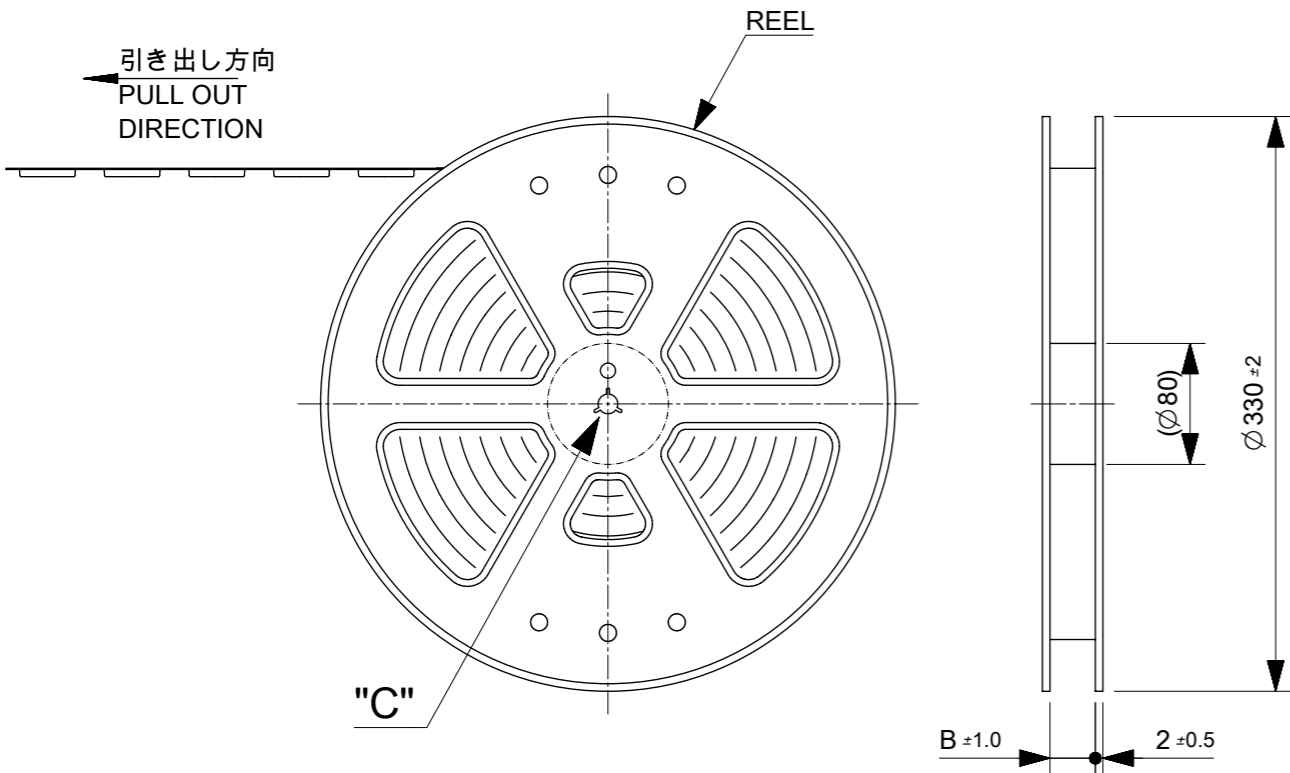
Contact us

Tel: +86-755-8981 8866 Fax: +86-755-8427 6832

Email & Skype: info@chipsmall.com Web: www.chipsmall.com

Address: A1208, Overseas Decoration Building, #122 Zhenhua RD., Futian, Shenzhen, China

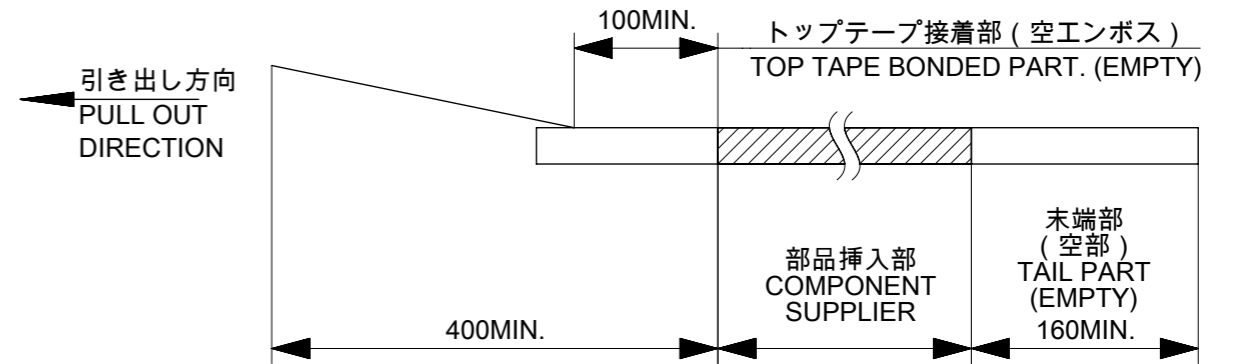




DETAIL C

注記 NOTES

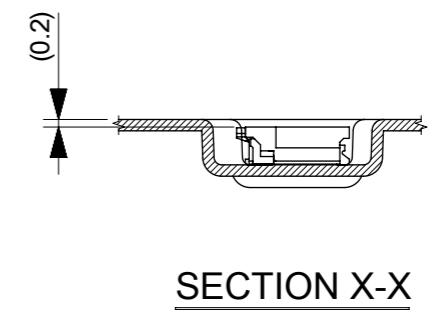
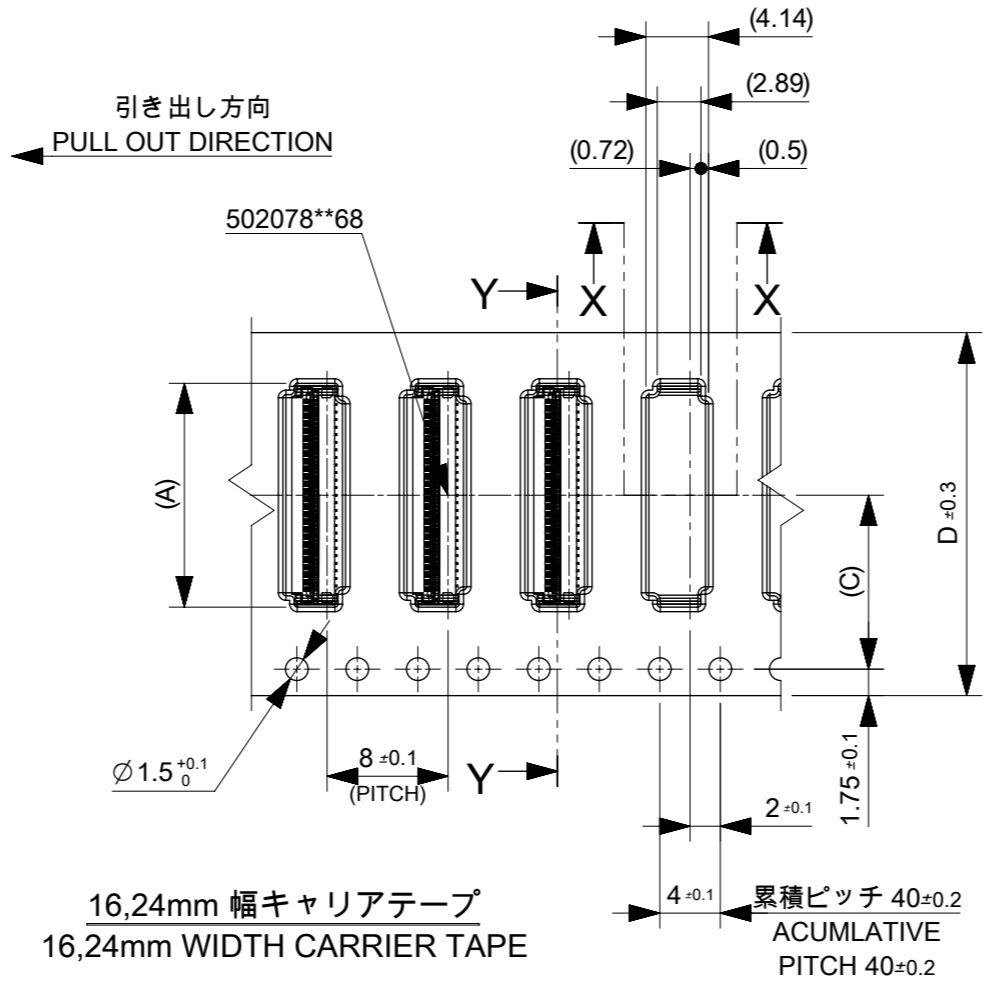
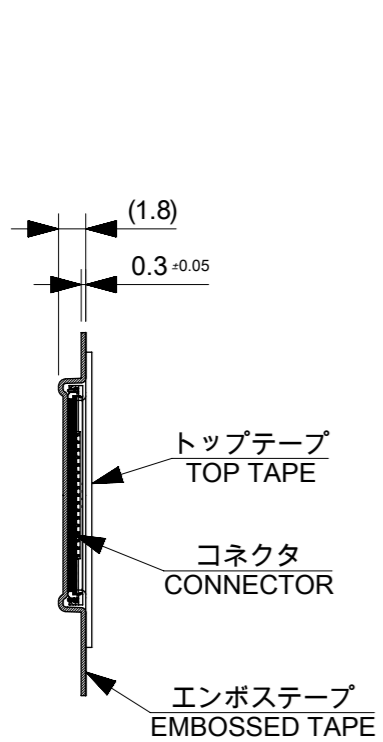
- 製品詳細寸法については図面 5020781000 (DOC. PART NO. : 000) を参照下さい。
RE DETAILED DIMENSION, SEE 5020781000 (DOC. PART NO. : 000)
- 梱包数量 : 3000 個 / リール
NUMBER OF CONNECTORS : 3000 PCS/REEL
- リードテープ長さ LEAD TAPE LENGTH



- 材料 MATERIAL
キャリアテープ (CARRIER TAPE) : ポリスチレン (POLYSTYRENE)
トップテープ (TOP TAPE) : PET, PE, PEF
リール (REEL) : ポリスチレン (PS) <リサイクル材を含む>
POLYSTYRENE (PS) <RECYCLE MATERIAL CONTAINED>
- カバーテープの剥離強度については、IEC60286-3 に準拠
COVER TAPE PEEL FORCE IS DEFINED BY IEC 60286-3.

CONNECTOR SERIES NO. 502078**68

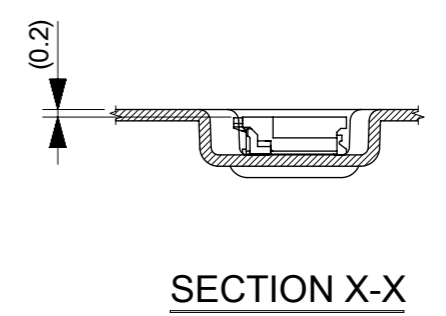
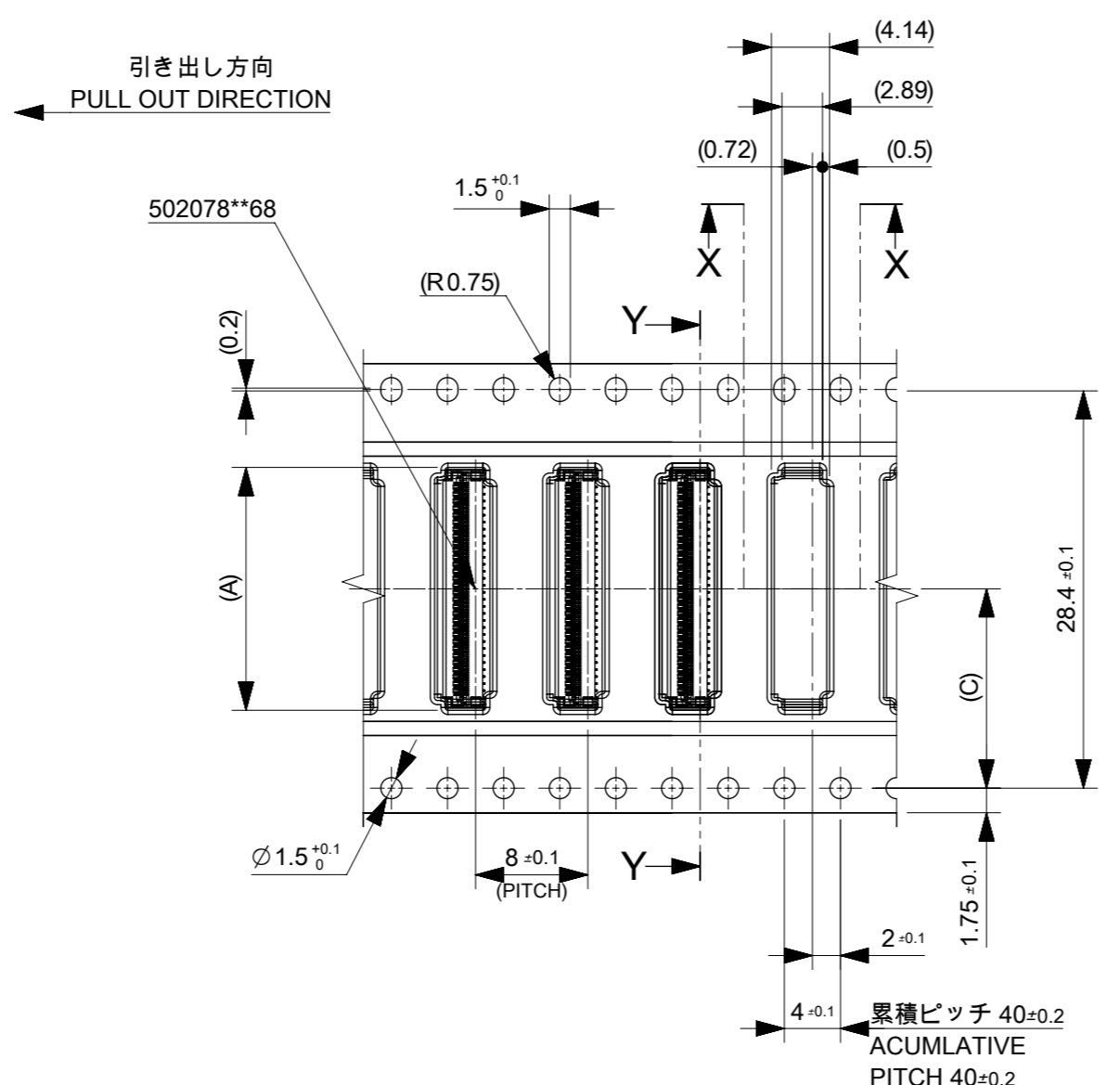
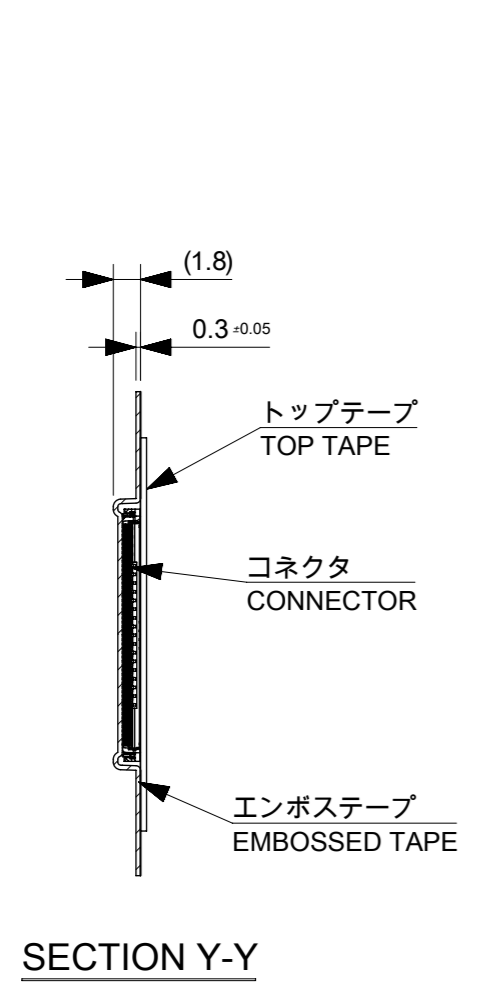
THIS DRAWING CONTAINS INFORMATION THAT IS PROPRIETARY TO MOLEX ELECTRONIC TECHNOLOGIES, LLC AND SHOULD NOT BE USED WITHOUT WRITTEN PERMISSION										
REVISED	EC NO. 112948	2016/08/09	GENERAL TOLERANCES (UNLESS SPECIFIED)		DIMENSION UNITS	SCALE				
	DRWN: MTAKAHASHI04	2017/02/06	ANGULAR TOL ± °		MM	1:1				
	CHK'D: YKOBAYASHI02	2017/02/07	4 PLACES ±	ABABU01	DATE	2016/02/22				
	APPR: TKUSUHARA01		3 PLACES ±	CHK'D BY	DATE	YKOBAYASHI02 2016/05/23				
			2 PLACES ±	APPR BY	DATE	TKUSUHARA01 2016/05/24				
		1 PLACE ±	DRAFT WHERE APPLICABLE MUST REMAIN WITHIN DIMENSIONS		DRAWING SIZE	THIRD ANGLE PROJECTION	PRODUCT CUSTOMER DRAWING			
		0 PLACES ±			A3		SERIES	MATERIAL NUMBER	CUSTOMER	
							502078	SEE CHART	GENERAL	
							DOCUMENT NUMBER	DOC TYPE	DOC PART	SHEET NUMBER
							5020780000	PSD	000	1 OF 3



24	11.5	25.4	15.3	5020785360	53
			14.8	5020785160	51
			13.3	5020784560	45
			11.8	5020783960	39
			11.3	5020783760	37
			10.3	5020783360	33
			8.3	5020782560	25
16	7.5	17.4	7.3	5020782160	21
			6.3	5020781760	17
			5.3	5020781360	13
D キャリアテープ幅 CARRIER TAPE WIDTH	C	B	(A)	オーダー番号 ORDER NO.	極数 CIRCUITS
			CONNECTOR SERIES NO.		502078**68

THIS DRAWING CONTAINS INFORMATION THAT IS PROPRIETARY TO MOLEX ELECTRONIC TECHNOLOGIES, LLC AND SHOULD NOT BE USED WITHOUT WRITTEN PERMISSION

EC NO: 112948 DRWN: MTAKAHASHI04 CHK'D: YKOBAYASHI02 APPR: TKUSUHARA01	2016/08/09	2017/02/06	2017/02/07	GENERAL TOLERANCES (UNLESS SPECIFIED) ANGULAR TOL ± ° 4 PLACES ± 3 PLACES ± 2 PLACES ± 1 PLACE ± 0 PLACES ± DRAFT WHERE APPLICABLE MUST REMAIN WITHIN DIMENSIONS	DIMENSION UNITS	SCALE		
	REVISED				MM	1:1		
	DRWN BY				ABABU01	DATE		2016/02/22
	CHK'D BY				YKOBAYASHI02	DATE		2016/05/23
	APPR BY				TKUSUHARA01	DATE		2016/05/24
DRAWING SIZE		THIRD ANGLE PROJECTION						
A3								
PRODUCT CUSTOMER DRAWING			SERIES		502078			
MATERIAL NUMBER			SEE CHART					
CUSTOMER			GENERAL					
DOCUMENT NUMBER			5020780000					
DOC TYPE			PSD					
DOC PART			000					
SHEET NUMBER			2 OF 3					

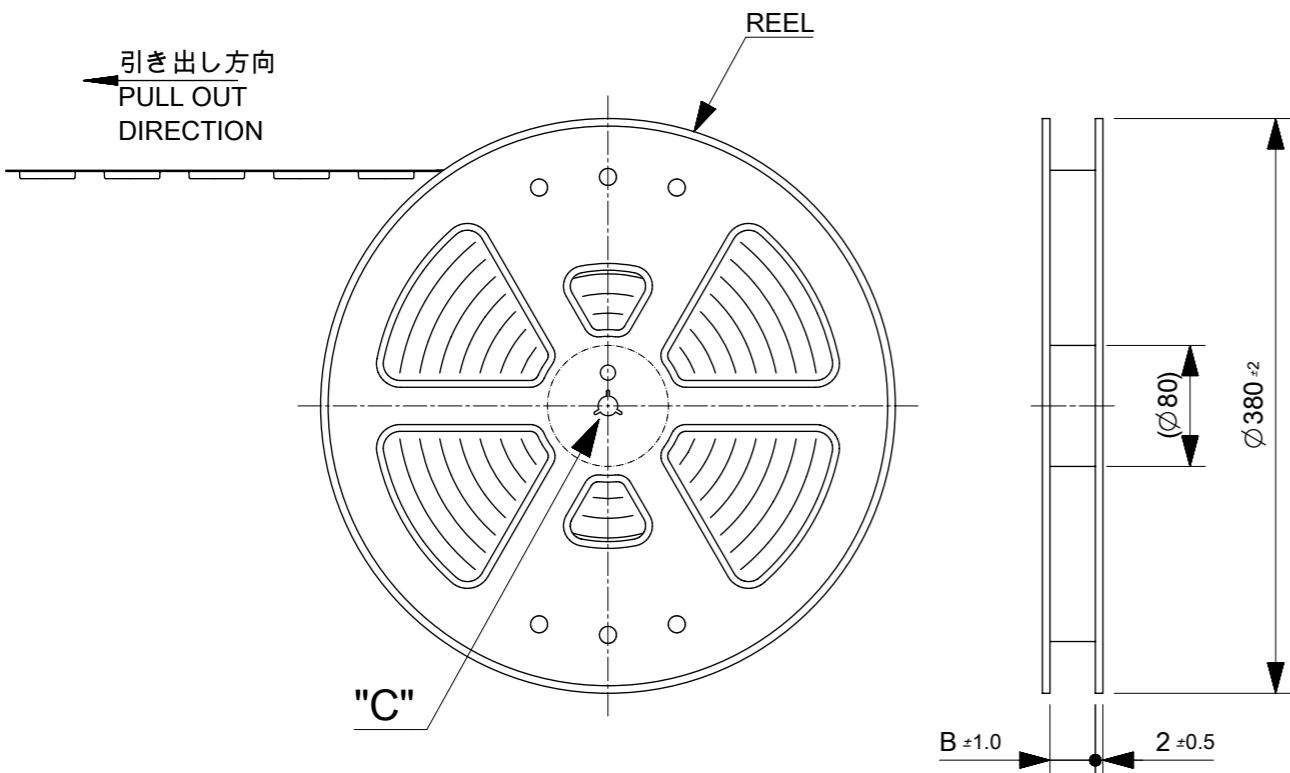


32mm 幅キャリアテープ
32mm WIDTH CARRIER TAPE

14.2	33.4	17.3	5020786160	61
C	B	(A)	オーダー番号 ORDER NO.	極数 CIRCUITS
			CONNECTOR SERIES NO.	502078**68

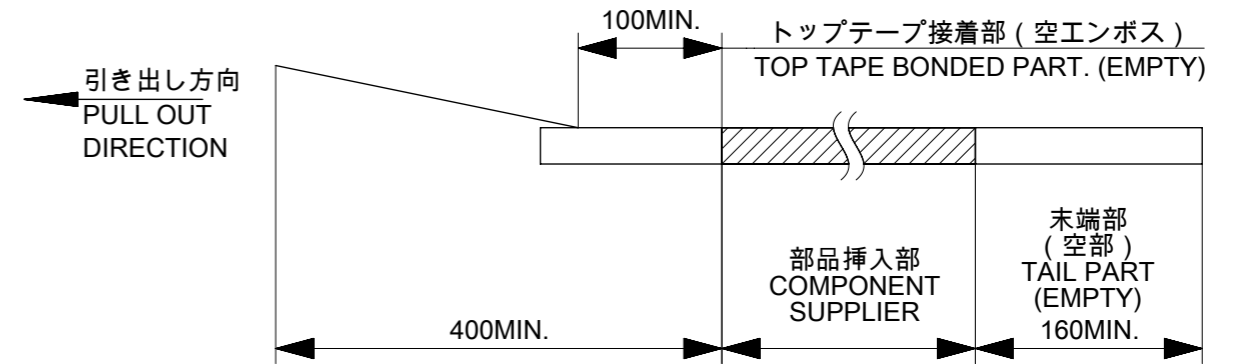
THIS DRAWING CONTAINS INFORMATION THAT IS PROPRIETARY TO MOLEX ELECTRONIC TECHNOLOGIES, LLC AND SHOULD NOT BE USED WITHOUT WRITTEN PERMISSION

EC NO: 112948 DRWN: MTAKAHASHI04 CHK'D: YKOBAYASHI02 APPR: TKUSUHARA01	2016/08/09	2017/02/06	2017/02/07	GENERAL TOLERANCES (UNLESS SPECIFIED) ANGULAR TOL ± ° 4 PLACES ± 3 PLACES ± 2 PLACES ± 1 PLACE ± 0 PLACES ± DRAFT WHERE APPLICABLE MUST REMAIN WITHIN DIMENSIONS	DIMENSION UNITS	SCALE		
	MM		1:1		DRWN BY	DATE		0.25MM PITCH FPC CONN HGT = 1.0 HSG ASSY EMBOSSSED TAPE PACKAGE
	ABABU01		2016/02/22		CHK'D BY	DATE		
	YKOBAYASHI02		2016/05/23		APPR BY	DATE		
	TKUSUHARA01		2016/05/24		DRAWING SIZE	THIRD ANGLE PROJECTION		
A3			PRODUCT CUSTOMER DRAWING					
SERIES		MATERIAL NUMBER		CUSTOMER		GENERAL		
502078		SEE CHART		GENERAL				
DOCUMENT NUMBER			DOC TYPE	DOC PART	SHEET NUMBER			
5020780000			PSD	000	3 OF 3			

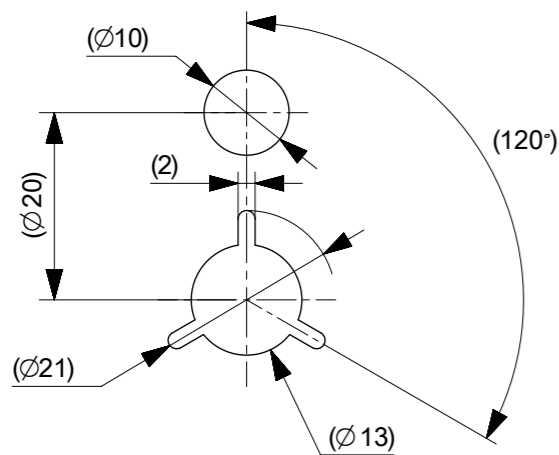


注記 NOTES

- 製品詳細寸法については製品単体図面を参照下さい。
DETAIL DIMENSION, SEE PRODUCT DRAWING
- 梱包数量 : 6000 個 / リール
NUMBER OF CONNECTORS : 6000 PCS/REEL
- リードテープ長さ LEAD TAPE LENGTH



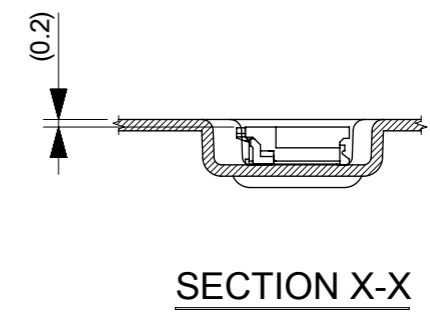
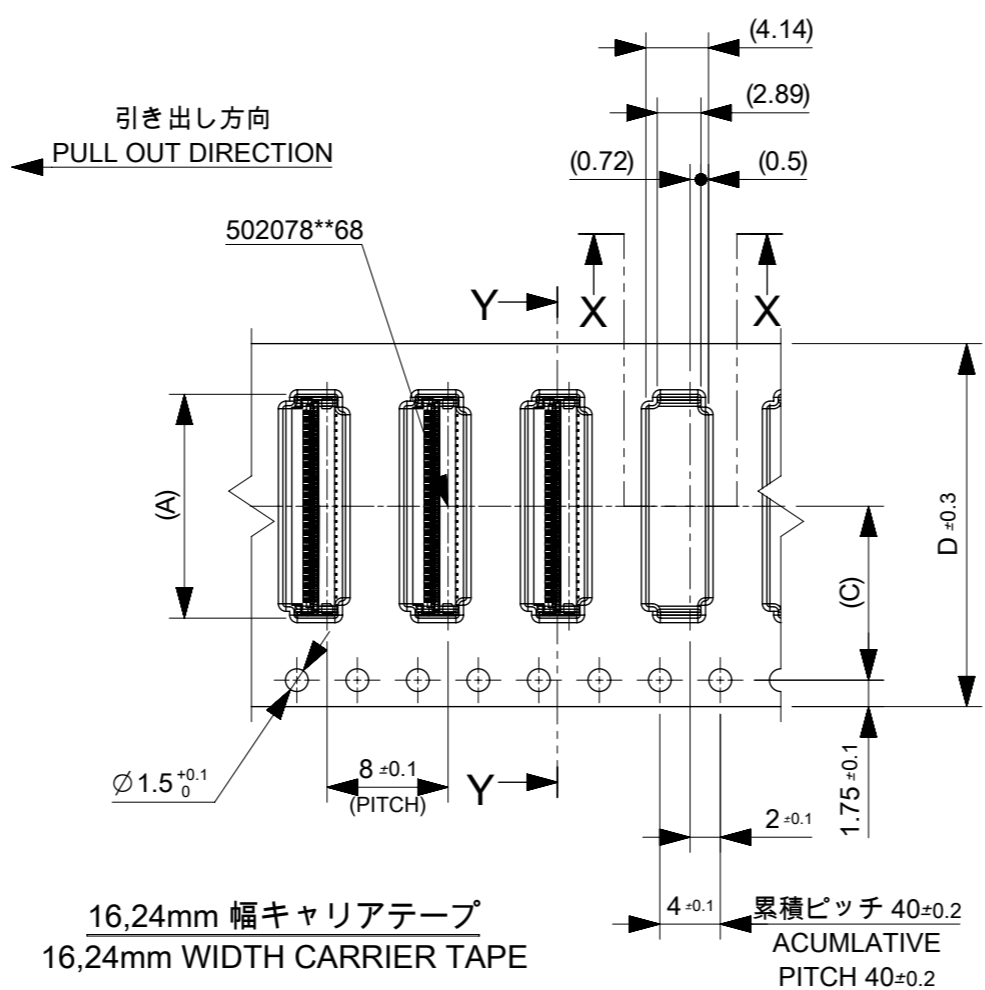
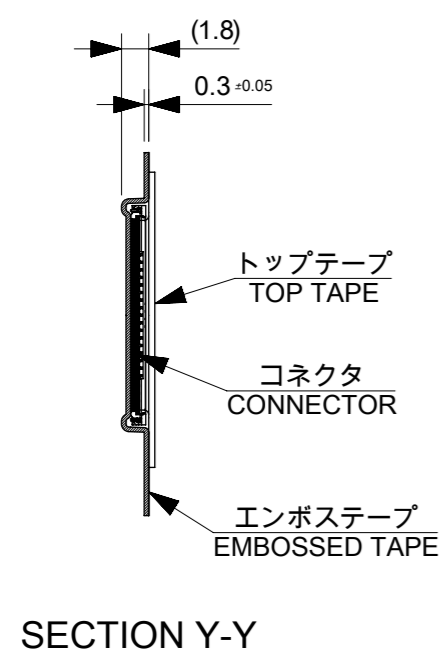
- 材料 MATERIAL
キャリアテープ (CARRIER TAPE) : ポリスチレン (POLYSTYRENE)
トップテープ (TOP TAPE) : PET, PE, PEF
リール (REEL) : ポリスチレン (PS) <リサイクル材を含む>
POLYSTYRENE (PS) <RECYCLE MATERIAL CONTAINED>
- カバーテープの剥離強度については、IEC60286-3 に準拠
COVER TAPE PEEL FORCE IS DEFINED BY IEC 60286-3.



DETAIL C

CONNECTOR SERIES NO. 502078**68

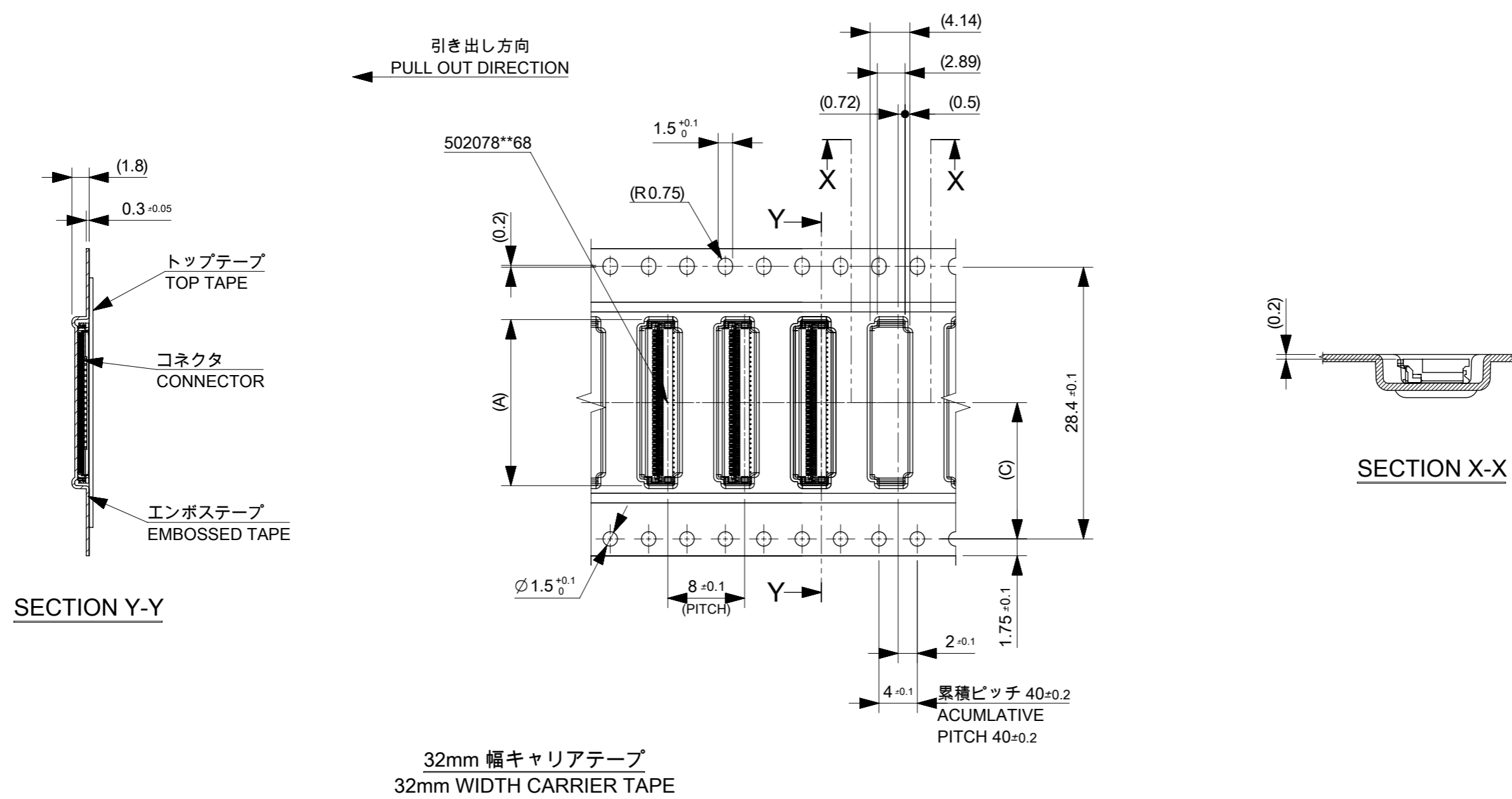
THIS DRAWING CONTAINS INFORMATION THAT IS PROPRIETARY TO MOLEX ELECTRONIC TECHNOLOGIES, LLC AND SHOULD NOT BE USED WITHOUT WRITTEN PERMISSION										
RELEASED	EC NO. 112453	DRWN: RYANAIDANI	CHK'D: KTAKAHASHI	APPR: MSASAO	2016/11/24	2017/01/27	2017/01/27	GENERAL TOLERANCES (UNLESS SPECIFIED)		
					4 PLACES	±	ANGULAR TOL ± °		DIMENSION UNITS SCALE	
					3 PLACES	±			MM	1:1
					2 PLACES	±	DRWN BY DATE		RYANAIDANI 2016/11/24	
					1 PLACE	±	CHK'D BY DATE		KTAKAHASHI 2017/01/27	
					0 PLACES	±	APPR BY DATE		MSASAO 2017/01/27	
DRAFT WHERE APPLICABLE MUST REMAIN WITHIN DIMENSIONS					DRAWING SIZE		THIRD ANGLE PROJECTION			
A					A3					
molex®										
0.25MM PITCH FPC CONN HGT = 1.0 HSG ASSY EMBOSSED TAPE PACKAGE										
PRODUCT CUSTOMER DRAWING										
SERIES		MATERIAL NUMBER			CUSTOMER					
502078		SEE CHART			GENERAL					
DOCUMENT NUMBER				DOC TYPE	DOC PART	SHEET NUMBER				
5020780001				PSD	000	1 OF 3				



24	11.5	25.4	15.3	5020785362	53
			14.8	5020785162	51
			13.3	5020784562	45
			11.8	5020783962	39
			11.3	5020783762	37
			10.3	5020783362	33
			8.3	5020782562	25
16	7.5	17.4	6.3	5020781762	17
			5.3	5020781362	13
D キャリアテープ幅 CARRIER TAPE WIDTH	C	B	(A)	オーダー番号 ORDER NO.	極数 CIRCUITS
			CONNECTOR SERIES NO.		502078**68

THIS DRAWING CONTAINS INFORMATION THAT IS PROPRIETARY TO MOLEX ELECTRONIC TECHNOLOGIES, LLC AND SHOULD NOT BE USED WITHOUT WRITTEN PERMISSION

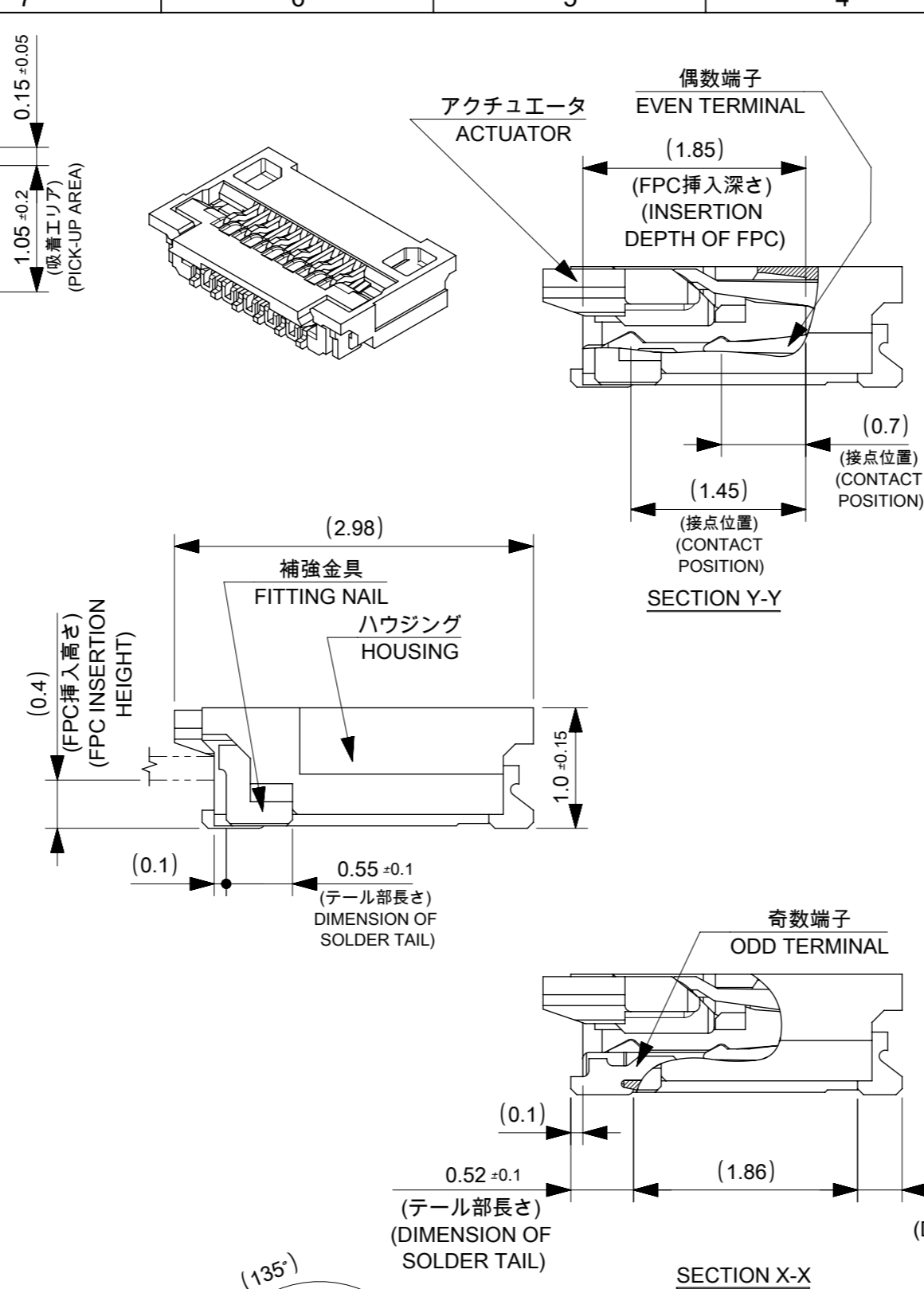
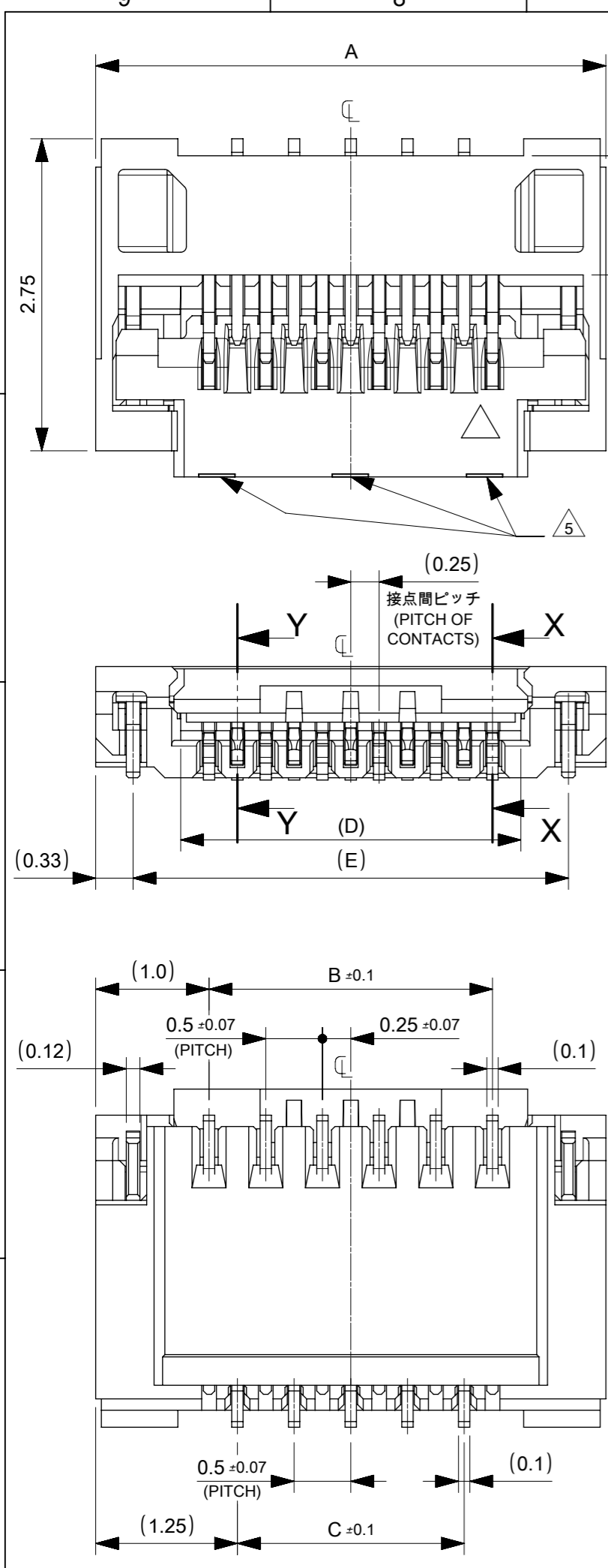
EC NO: 112453 DRWN: RYANAIDANI CHK'D: KTAKAHASHI APPR: MSASAO	2016/11/24	GENERAL TOLERANCES (UNLESS SPECIFIED)	DIMENSION UNITS	SCALE		
	2017/01/27	ANGULAR TOL ± °	MM	1:1		
	2017/01/27	4 PLACES ±	DRWN BY	DATE		0.25MM PITCH FPC CONN HGT = 1.0 HSG ASSY EMBOSSSED TAPE PACKAGE
		3 PLACES ±	RYANAIDANI	2016/11/24		
		2 PLACES ±	CHK'D BY	DATE		PRODUCT CUSTOMER DRAWING
		1 PLACE ±	KTAKAHASHI	2017/01/27		
	0 PLACES ±	APPR BY	DATE	SERIES: 502078 MATERIAL NUMBER: SEE CHART CUSTOMER: GENERAL		
		MSASAO	2017/01/27	DOCUMENT NUMBER: 5020780001 DOC TYPE: PSD DOC PART: 000 SHEET NUMBER: 2 OF 3		
		DRAFT WHERE APPLICABLE MUST REMAIN WITHIN DIMENSIONS	DRAWING SIZE: A3	THIRD ANGLE PROJECTION		



14.2	33.4	17.3	5020786162	61
C	B	(A)	オーダー番号 ORDER NO.	極数 CIRCUITS
			CONNECTOR SERIES NO.	502078**68

THIS DRAWING CONTAINS INFORMATION THAT IS PROPRIETARY TO MOLEX ELECTRONIC TECHNOLOGIES, LLC AND SHOULD NOT BE USED WITHOUT WRITTEN PERMISSION

EC NO: 112453 DRWN: RYANAIDANI CHK'D: KTAKAHASHI APPR: MSASAO	2016/11/24	GENERAL TOLERANCES (UNLESS SPECIFIED)	DIMENSION UNITS	SCALE	<p>0.25MM PITCH FPC CONN HGT =1.0 HSG ASSY EMBOSSSED TAPE PACKAGE</p> <p>PRODUCT CUSTOMER DRAWING</p>	
	2017/01/27	ANGULAR TOL ±	MM	1:1		
	2017/01/27	4 PLACES ±	DRWN BY	DATE		RYANAIDANI 2016/11/24
		3 PLACES ±	CHK'D BY	DATE		KTAKAHASHI 2017/01/27
		2 PLACES ±	APPR BY	DATE		MSASAO 2017/01/27
	1 PLACE ±	DRAFT WHERE APPLICABLE MUST REMAIN WITHIN DIMENSIONS	DRAWING SIZE	THIRD ANGLE PROJECTION	SERIES	
	0 PLACES ±		A3		MATERIAL NUMBER	
					502078	
					SEE CHART	
					CUSTOMER	
					GENERAL	
					DOCUMENT NUMBER	
					5020780001	
					DOC TYPE	
					PSD	
					DOC PART	
					000	
					SHEET NUMBER	
					3 OF 3	



注記 NOTES

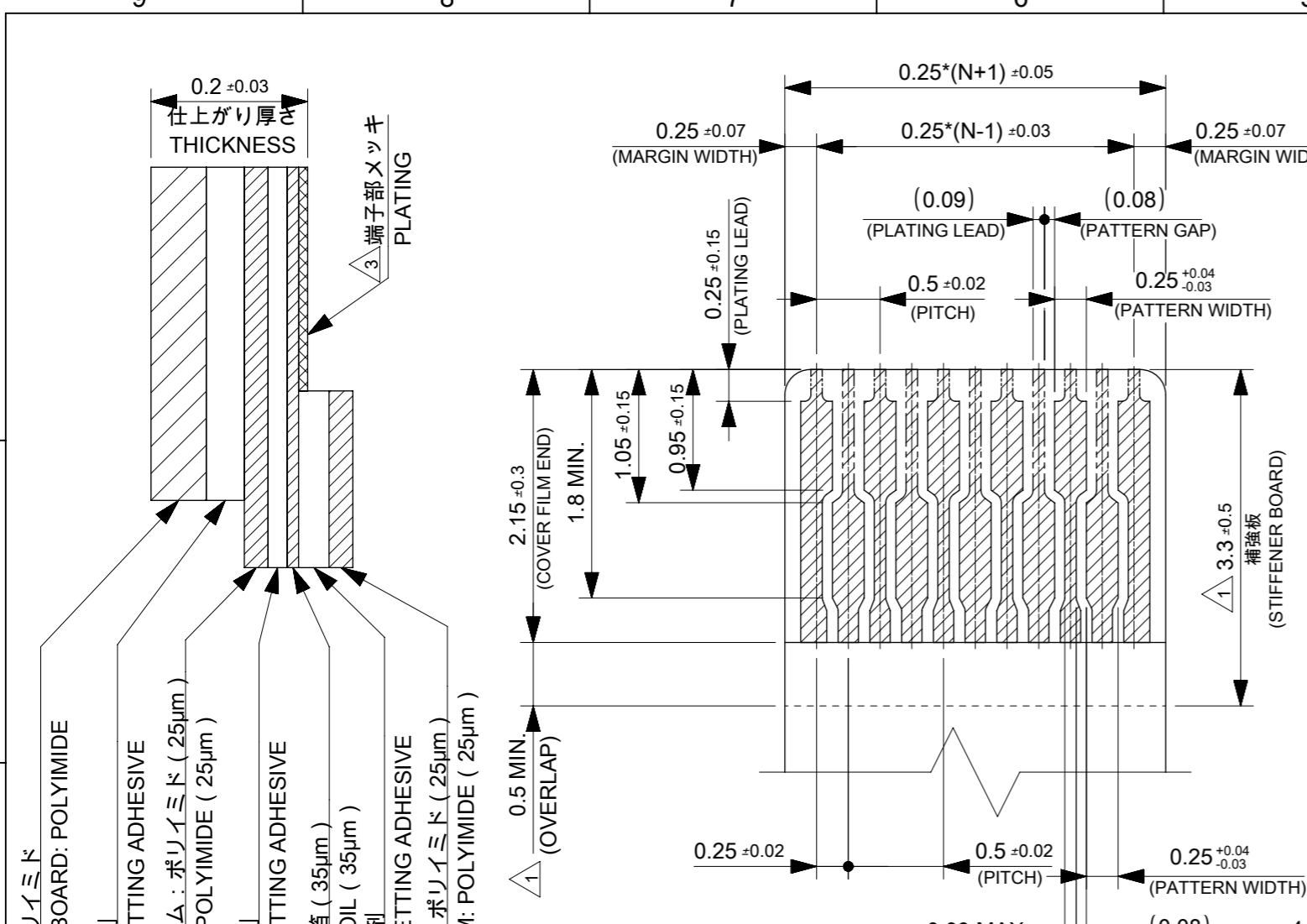
1. 使用材料 MATERIALS
 ハウジング : 液晶ポリマー(UL94V-0、ベージュ)
 アクチュエータ : ポリアミド(UL94HB、黒色)
 端子 : リン青銅
 補強金具 : リン青銅
 HOUSING : LCP (BEIGE)
 ACTUATOR : PA (BLACK)
 TERMINAL : PHOSPHOR BRONZE
 FITTING NAIL : PHOSPHOR BRONZE
2. メッキ仕様 PLATING
 端子 TERMINAL
 接点部 : 金メッキ0.1 μm以上
 テール部 : 金メッキ
 下地 : ニッケルメッキ1.0 μm以上
 CONTACT AREA : Gold PLATING 0.1μm MINIMUM
 TAIL AREA : Gold PLATING
 UNDER PLATING : Nickel PLATING 1.0μm MINIMUM
 金具 FITTING NAIL
 表面 : スズメッキ 1.0 μm以上
 下地 : ニッケルメッキ1.0 μm以上
 ALL OVER : Tin PLATING 1.0μm MINIMUM
 UNDER PLATING : Nickel PLATING 1.0μm MINIMUM
3. 端子、補強金具のコプラナリティーは0.1以下とする
 COPLANALITY OF SOLDER TAILS AND FITTING NAILS : 0.1MAX.
4. 一般公差 : ± 0.3
 GENERAL TOLERANCES: ±0.3
5. アクチュエータの図示箇所にゲート逃げの凹みがつきます (極数により、レイアウトが異なります)
 THERE ARE DENT SHAPES AT ACTUATOR FOR MOLDING GATE (LAYOUT DIFFER ACCORDING TO CIRCUIT NUMBER)
6. ELV & RoHS 適合品
 ELV & RoHS COMPLIANT
7. 塩素系・臭素系難燃剤非使用
 CHLORINATED AND BROMINATED FLAME RETARDANTS FREE

16.34	15.5	14.5	15	17	5020786160	5020786168	61
14.34	13.5	12.5	13	15	5020785360	5020785368	53
13.84	13	12	12.5	14.5	5020785160	5020785168	51
12.34	11.5	10.5	11	13	5020784560	5020784568	45
10.84	10	9	9.5	11.5	5020783960	5020783968	39
10.34	9.5	8.5	9	11	5020783760	5020783768	37
9.34	8.5	7.5	8	10	5020783360	5020783368	33
7.34	6.5	5.5	6	8	5020782560	5020782568	25
6.34	5.5	4.5	5	7	5020782160	5020782168	21
5.34	4.5	3.5	4	6	5020781760	5020781768	17
4.34	3.5	2.5	3	5	5020781360	5020781368	13
E	D	C	B	A	ORDER No.	MATERIAL No.	CIRCUIT =N

CONNECTOR SERIES No. 502078**68

THIS DRAWING CONTAINS INFORMATION THAT IS PROPRIETARY TO MOLEX ELECTRONIC TECHNOLOGIES, LLC AND SHOULD NOT BE USED WITHOUT WRITTEN PERMISSION

REVISED	2016/12/06	DRWN: MTAKAHASHI04	GENERAL TOLERANCES (UNLESS SPECIFIED)	DIMENSION UNITS	SCALE	<p>0.25 PITCH FPC CONN E/O HGT=1.0 BTM CONTACT TYPE</p> <p>PRODUCT CUSTOMER DRAWING</p>	
	2017/02/06	CHK'D: YKOBAYASHI02	ANGULAR TOL ± °	MM	20:1		
	2017/02/07	APPR: TKUSUHARA01	4 PLACES ±	DRWN BY	DATE		NVELUSAMY 2016/02/18
			3 PLACES ±	CHK'D BY	DATE		YKOBAYASHI02 2016/05/23
			2 PLACES ±	APPR BY	DATE		TKUSUHARA01 2016/05/24
		1 PLACE ±	DRAFT WHERE APPLICABLE MUST REMAIN WITHIN DIMENSIONS	DRAWING SIZE	THIRD ANGLE PROJECTION	SERIES MATERIAL NUMBER CUSTOMER	
		0 PLACES ±		A3		502078 SEE CHART GENERAL	
EC NO: 112948						DOCUMENT NUMBER DOC TYPE DOC PART SHEET NUMBER	
						5020781000 PSD 000 1 OF 2	



FPC 構成材料例
EXAMPLE OF FPC COMPOSITION MATERIAL

補強板: ポリイミド
STIFFENER BOARD: POLYIMIDE
熱硬化接着剤
THERMOSETTING ADHESIVE
ペースフィルム: ポリイミド (25µm)
BASE FILM: POLYIMIDE (25µm)
熱硬化接着剤
THERMOSETTING ADHESIVE
導体部: 銅箔 (35µm)
COPPER FOIL (35µm)
熱硬化接着剤
THERMOSETTING ADHESIVE
カバーレイ: ポリイミド (25µm)
COVER FILM: POLYIMIDE (25µm)

注記 NOTES

1. 補強板長さが図面通り確保できない場合は、カバーレイと補強板のオーバーラップ寸法を 0.5mm 以上としてください
WHEN STIFFENER BOARD DIMENSION CAN NOT SECURE AS DRAWING, PLEASE GIVE THE OVERLAP SIZE OF COVER FILM AND STIFFENER BOARD AS 0.5mm MINIMUM

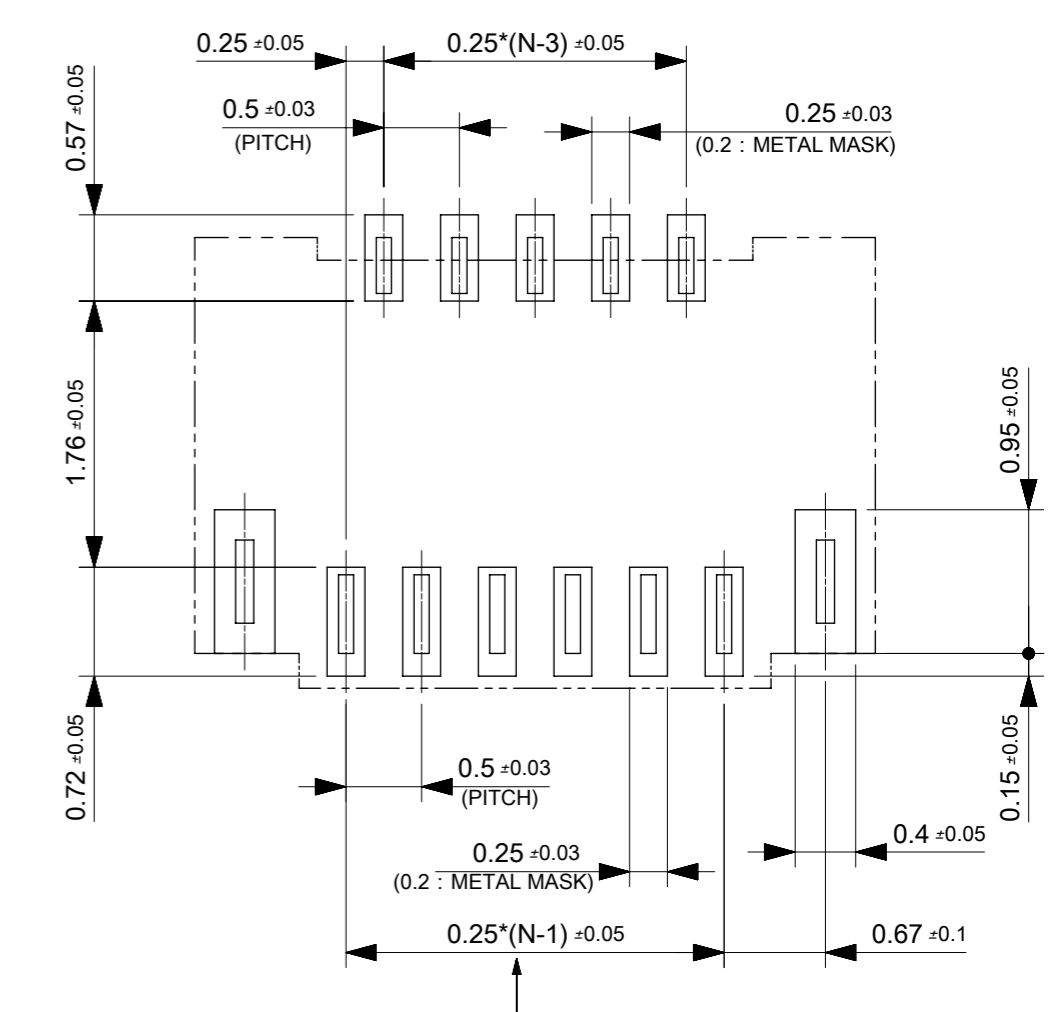
2. 推奨ペースト厚: 100µm
推奨マスク開口率: 80%
RECOMMEND SCREEN THICKNESS: 100µm
RECOMMEND SCREEN OPEN RATIO: 80%

3. FPCパターンのメッキ仕様は
金メッキ: 0.1µm 以上
下地ニッケルメッキ: 2~6µm
FPC PATTERN PLATING
GOLD PLATING: 0.1µm MINIMUM
NICKEL UNDER PLATING: 2~6µm

4. FPCについて (ABOUT FPC)
抜き方向は、導体側から補強板側を推奨します
補強板材質は、ポリイミドを推奨します
接着剤は熱硬化接着剤を推奨します
なお、接着剤の接点部への付着は導通不良の原因となりますので染み出しがないよう、お願いします。
FPCに規定された定格温度が FPC 単体前提である場合が御座います。
コネクタと組み合わせての実使用に置いて、接着層が劣化するなどの信頼性を満足できないケースを回避するため、実機での評価/確認をお願い致します。

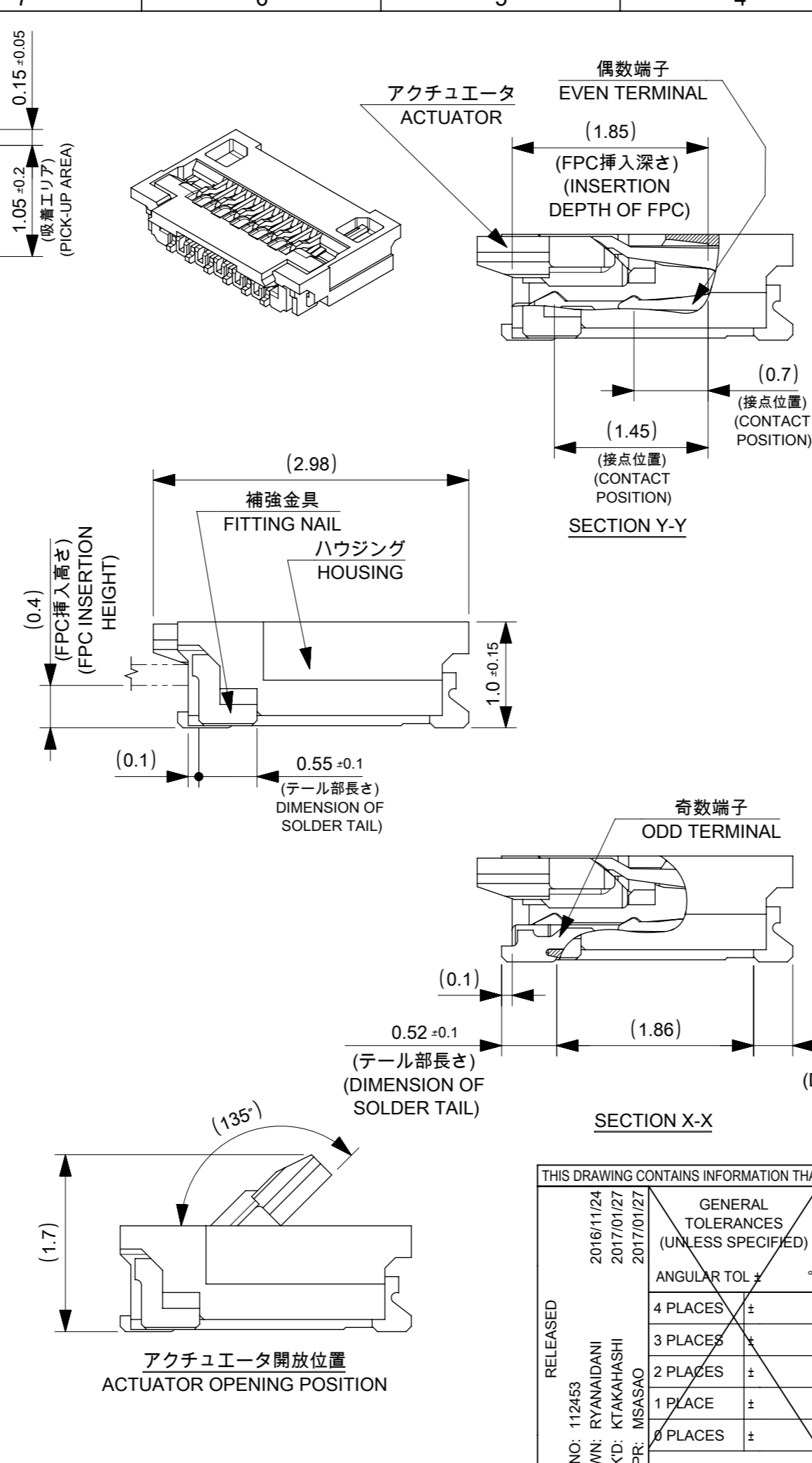
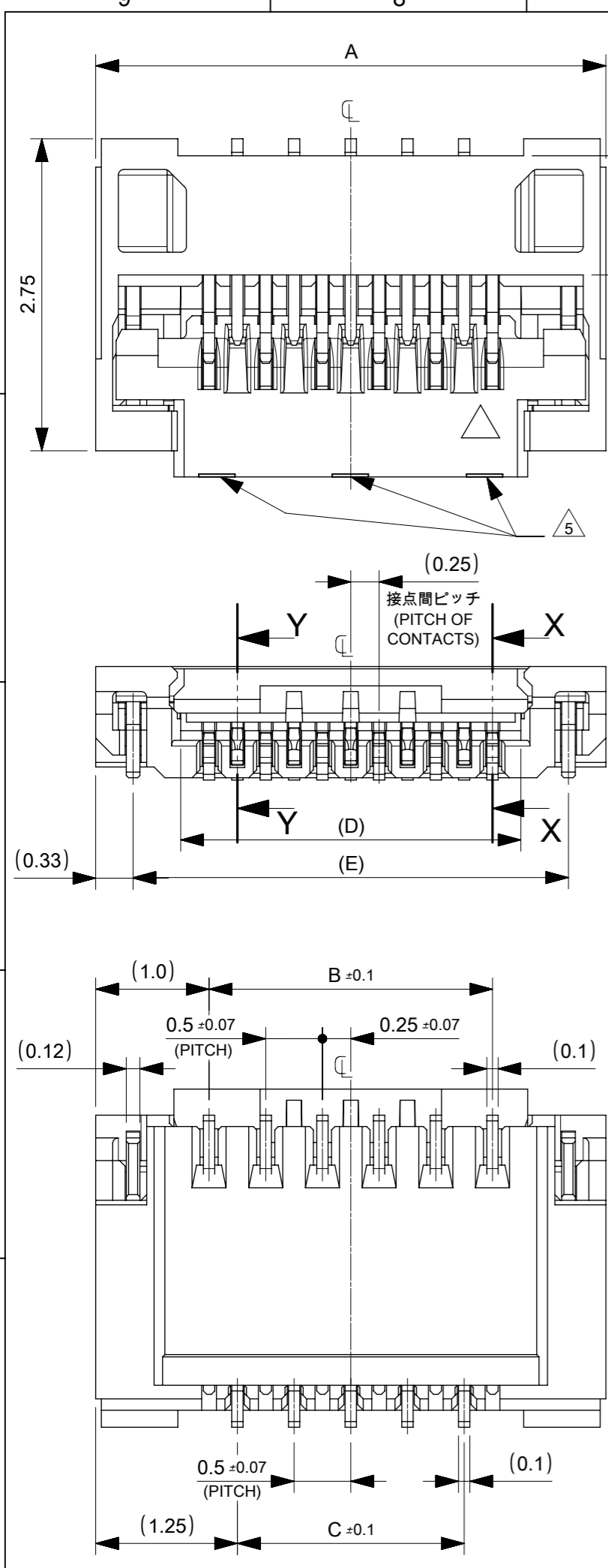
RECOMMENDED PUNCHER DIRECTION: FROM CONDUCTOR SIDE TO STIFFENER BOARD SIDE
RECOMMENDED MATERIAL: STIFFENER BOARD: POLYIMIDE
BONDING AGENT: THERMOSETTING AGENT
PLEASE PUT APPROPRIATE AMOUNT OF ADHESIVE ON THE CONTACT AREA BECAUSE THE EXTRA ADHESIVE MAY CAUSE THE DEFECT IN ELECTRICAL CONTINUITY.

NOTE: WHEN ACTUALLY USING IT WITH CONNECTOR, PLEASE DO THE EVALUATION AND THE CONFIRMATION WITH AN ACTUAL EQUIPMENT TO EVADE THE CASE WHERE RELIABILITY CANNOT BE FILLED (THE ADHESIVE LINE OF FPC IS DETERIORATED ETC.)



THIS DRAWING CONTAINS INFORMATION THAT IS PROPRIETARY TO MOLEX ELECTRONIC TECHNOLOGIES, LLC AND SHOULD NOT BE USED WITHOUT WRITTEN PERMISSION

REVISED	2016/12/06	GENERAL TOLERANCES (UNLESS SPECIFIED)		DIMENSION UNITS	SCALE		
	2017/02/06	ANGULAR TOL ±		MM	20:1		
	2017/02/07	4 PLACES ±	°	DRWN BY	DATE		
	EC NO: 112948	MTAKAHASHI04	YKOBAYASHI02	NVELUSAMY	2016/02/18		
DRWN:	YKOBAYASHI02	TKUSUHARA01	CHK'D BY	DATE		0.25 PITCH FPC CONN E/O HGT=1.0 BTM CONTACT TYPE	
CHK'D:	TKUSUHARA01	TKUSUHARA01	YKOBAYASHI02	2016/05/23			
APPR:	TKUSUHARA01	TKUSUHARA01	APPR BY	DATE			
REV			TKUSUHARA01	2016/05/24			
DRAFT WHERE APPLICABLE MUST REMAIN WITHIN DIMENSIONS		DRAWING SIZE	THIRD ANGLE PROJECTION			PRODUCT CUSTOMER DRAWING	
		A3		SERIES	MATERIAL NUMBER		CUSTOMER
				502078	SEE CHART	GENERAL	
				DOCUMENT NUMBER	DOC TYPE	DOC PART	SHEET NUMBER
				5020781000	PSD	000	2 OF 2



注記 NOTES

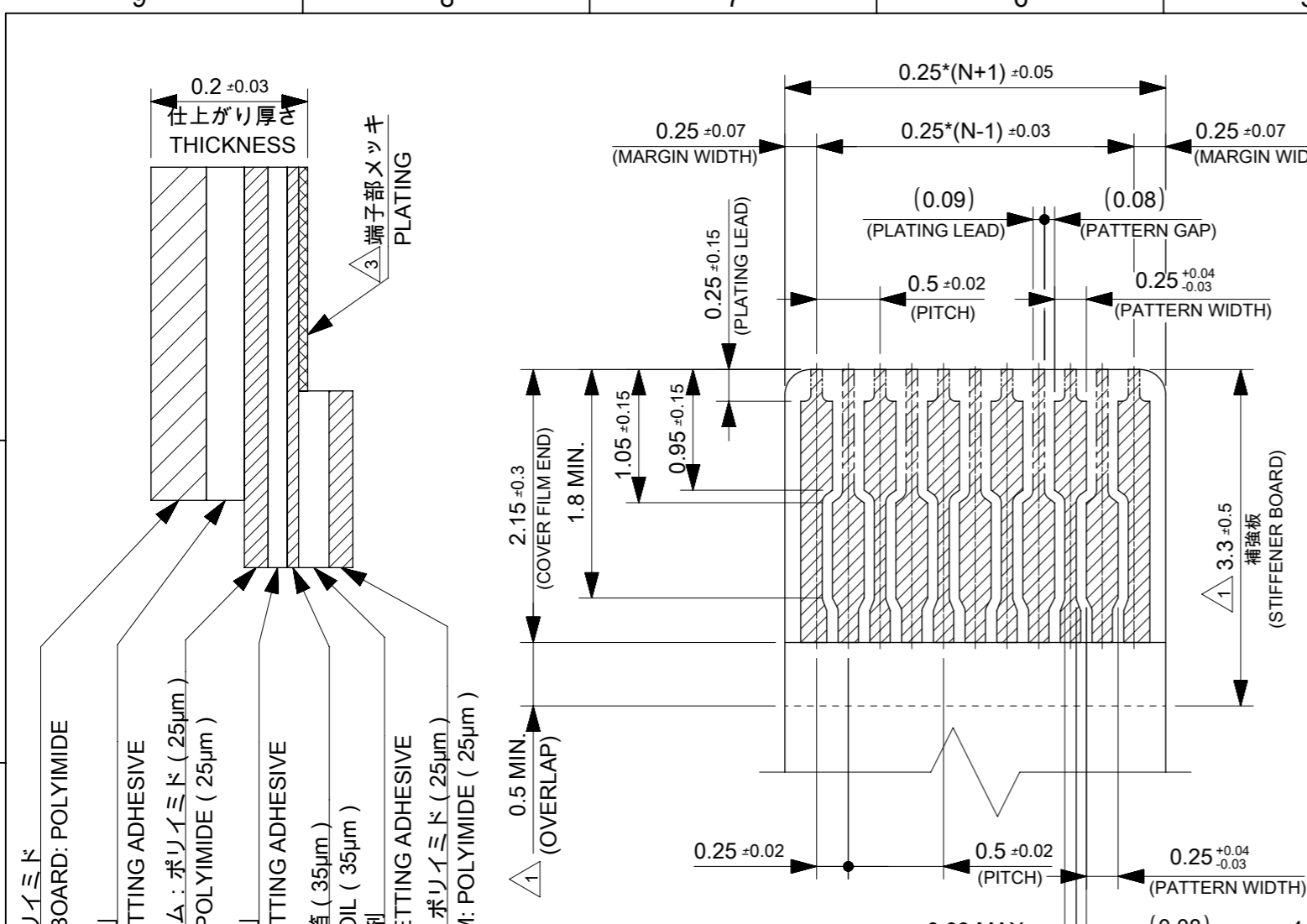
1. 使用材料 MATERIALS
 ハウジング : 液晶ポリマー (UL94V-0、ベージュ)
 アクチュエータ : ポリアミド (UL94HB、黒色)
 端子 : リン青銅
 補強金具 : リン青銅
 HOUSING : LCP (BEIGE)
 ACTUATOR : PA (BLACK)
 TERMINAL : PHOSPHOR BRONZE
 FITTING NAIL : PHOSPHOR BRONZE
2. メッキ仕様 PLATING
 端子 TERMINAL
 接点部 : 金メッキ 0.1 μm 以上
 テール部 : 金メッキ
 下地 : ニッケルメッキ 1.0 μm 以上
 CONTACT AREA : Gold PLATING 0.1 μm MINIMUM
 TAIL AREA : Gold PLATING
 UNDER PLATING : Nickel PLATING 1.0 μm MINIMUM
 金具 FITTING NAIL
 表面 : スズメッキ 1.0 μm 以上
 下地 : ニッケルメッキ 1.0 μm 以上
 ALL OVER : Tin PLATING 1.0 μm MINIMUM
 UNDER PLATING : Nickel PLATING 1.0 μm MINIMUM
3. 端子、補強金具のコプラナリティーは0.1以下とする
 COPLANALITY OF SOLDER TAILS AND FITTING NAILS : 0.1 MAX.
4. 一般公差 : ± 0.3
 GENERAL TOLERANCES: ± 0.3
5. アクチュエータの図示箇所にゲート逃げの凹みがつきます (極数により、レイアウトが異なります)
 THERE ARE DENT SHAPES AT ACTUATOR FOR MOLDING GATE (LAYOUT DIFFER ACCORDING TO CIRCUIT NUMBER)
6. ELV & RoHS 適合品
 ELV & RoHS COMPLIANT
7. 塩素系・臭素系難燃剤非使用
 CHLORINATED AND BROMINATED FLAME RETARDANTS FREE

16.34	15.5	14.5	15	17	5020786162	5020786168	61
14.34	13.5	12.5	13	15	5020785362	5020785368	53
13.84	13	12	12.5	14.5	5020785162	5020785168	51
12.34	11.5	10.5	11	13	5020784562	5020784568	45
10.84	10	9	9.5	11.5	5020783962	5020783968	39
10.34	9.5	8.5	9	11	5020783762	5020783768	37
9.34	8.5	7.5	8	10	5020783362	5020783368	33
7.34	6.5	5.5	6	8	5020782562	5020782568	25
6.34	5.5	4.5	5	7	5020782162	5020782168	21
5.34	4.5	3.5	4	6	5020781762	5020781768	17
4.34	3.5	2.5	3	5	5020781362	5020781368	13
E	D	C	B	A	ORDER No.	MATERIAL No.	CIRCUIT =N

CONNECTOR SERIES No. 502078**68

THIS DRAWING CONTAINS INFORMATION THAT IS PROPRIETARY TO MOLEX ELECTRONIC TECHNOLOGIES, LLC AND SHOULD NOT BE USED WITHOUT WRITTEN PERMISSION

EC NO: 112453 DRWN: RYANAIDANI CHK'D: KTAKAHASHI APPR: MSASAO	2016/11/24	2017/01/27	2017/01/27	GENERAL TOLERANCES (UNLESS SPECIFIED) ANGULAR TOL ± ° 4 PLACES ± 3 PLACES ± 2 PLACES ± 1 PLACE ± 0 PLACES ± DRAFT WHERE APPLICABLE MUST REMAIN WITHIN DIMENSIONS	DIMENSION UNITS	SCALE	
	RELEASED	RYANAIDANI	KTAKAHASHI		MM	20:1	
	DRWN BY	DATE	CHK'D BY		RYANAIDANI	2016/11/24	
	APPR BY	DATE	MSASAO		2017/01/27		
DRAWING SIZE		THIRD ANGLE PROJECTION		A3		PRODUCT CUSTOMER DRAWING	
502078		SEE CHART		GENERAL		SERIES MATERIAL NUMBER CUSTOMER	
DOCUMENT NUMBER		DOC TYPE		DOC PART		SHEET NUMBER	
5020781001		PSD		000		1 OF 2	



FPC 構成材料例
EXAMPLE OF FPC COMPOSITION MATERIAL

補強板: ポリイミド
STIFFENER BOARD: POLYIMIDE
熱硬化接着剤
THERMOSETTING ADHESIVE
ペースフィルム: ポリイミド (25µm)
BASE FILM: POLYIMIDE (25µm)
熱硬化接着剤
THERMOSETTING ADHESIVE
導体部: 銅箔 (35µm)
CONDUCTOR: COPPER (35µm)
熱硬化接着剤
THERMOSETTING ADHESIVE
カバーレイ: ポリイミド (25µm)
COVER FILM: POLYIMIDE (25µm)

注記 NOTES

1. 補強板長さが図面通り確保できない場合は、カバーレイと補強板のオーバーラップ寸法を 0.5mm 以上としてください
WHEN STIFFENER BOARD DIMENSION CAN NOT SECURE AS DRAWING, PLEASE GIVE THE OVERLAP SIZE OF COVER FILM AND STIFFENER BOARD AS 0.5mm MINIMUM

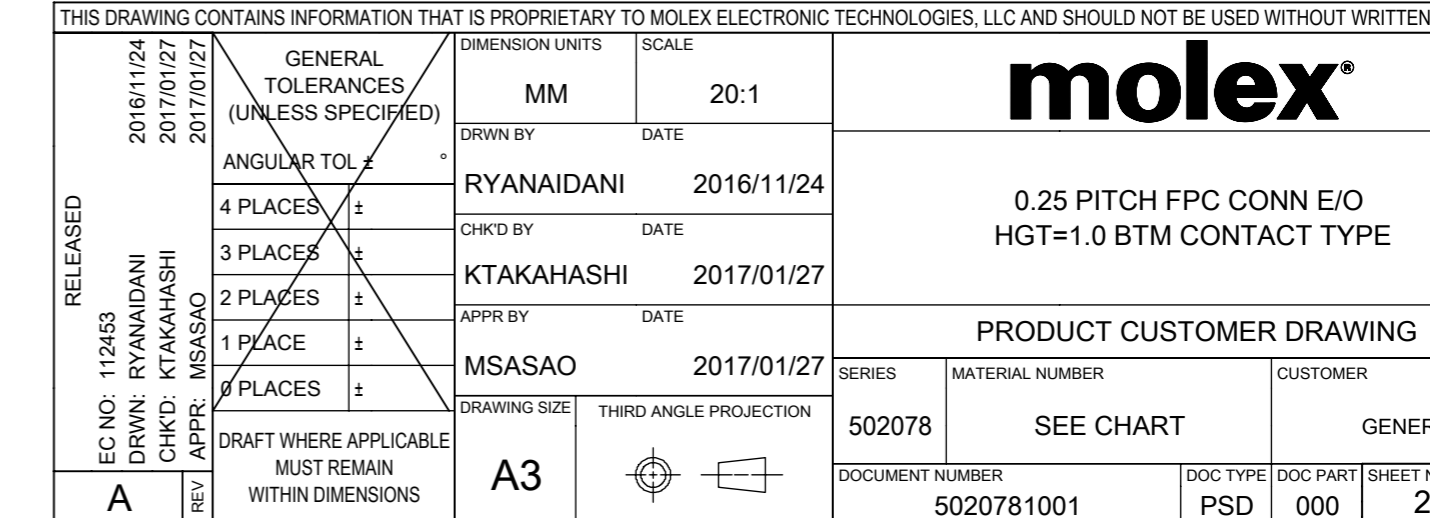
2. 推奨ペースト厚: 100µm
推奨マスク開口率: 80%
RECOMMEND SCREEN THICKNESS: 100µm
RECOMMEND SCREEN OPEN RATIO: 80%

3. FPCパターンのメッキ仕様は
金メッキ: 0.1µm 以上
下地ニッケルメッキ: 2~6µm
FPC PATTERN PLATING
GOLD PLATING: 0.1µm MINIMUM
NICKEL UNDER PLATING: 2~6µm

4. FPCについて (ABOUT FPC)
抜き方向は、導体側から補強板側を推奨します
補強板材質は、ポリイミドを推奨します
接着剤は熱硬化接着剤を推奨します
なお、接着剤の接点部への付着は導通不良の原因となりますので染み出しがないよう、お願いします。
FPCに規定された定格温度が FPC 単体前提である場合が御座います。
コネクタと組み合わせての実使用に置いて、接着層が劣化するなどの信頼性を満足できないケースを回避するため、実機での評価/確認をお願い致します。

RECOMMENDED PUNCHER DIRECTION: FROM CONDUCTOR SIDE TO STIFFENER BOARD SIDE
RECOMMENDED MATERIAL: STIFFENER BOARD: POLYIMIDE
BONDING AGENT: THERMOSETTING AGENT
PLEASE PUT APPROPRIATE AMOUNT OF ADHESIVE ON THE CONTACT AREA BECAUSE THE EXTRA ADHESIVE MAY CAUSE THE DEFECT IN ELECTRICAL CONTINUITY.

NOTE: WHEN ACTUALLY USING IT WITH CONNECTOR, PLEASE DO THE EVALUATION AND THE CONFIRMATION WITH AN ACTUAL EQUIPMENT TO EVADE THE CASE WHERE RELIABILITY CANNOT BE FILLED (THE ADHESIVE LINE OF FPC IS DETERIORATED ETC.)



適合するFPC推奨寸法
APPLICABLE FPC RECOMMENDED DIMENSION
(端子部仕上がり厚さ: 0.2±0.03)
(THICKNESS: 0.2±0.03)

THIS DRAWING CONTAINS INFORMATION THAT IS PROPRIETARY TO MOLEX ELECTRONIC TECHNOLOGIES, LLC AND SHOULD NOT BE USED WITHOUT WRITTEN PERMISSION

RELEASED EC NO: 112453 DRWN: RYANAIDANI CHK'D: KTAKAHASHI APPR: MSASAO	2016/11/24	2017/01/27	2017/01/27	GENERAL TOLERANCES (UNLESS SPECIFIED)	DIMENSION UNITS	SCALE				
	RYANAIDANI	KTAKAHASHI	MSASAO		MM	20:1				
	4 PLACES ±	3 PLACES ±	2 PLACES ±		DRWN BY	DATE		RYANAIDANI	2016/11/24	
	1 PLACE ±	0 PLACES ±	DRWING SIZE		THIRD ANGLE PROJECTION	CHK'D BY		DATE	KTAKAHASHI	2017/01/27
DRAFT WHERE APPLICABLE MUST REMAIN WITHIN DIMENSIONS				A3	PRODUCT CUSTOMER DRAWING		SERIES	MATERIAL NUMBER	CUSTOMER	
					502078	SEE CHART	502078	5020781001	GENERAL	
							DOCUMENT NUMBER	DOC TYPE	DOC PART	SHEET NUMBER
							5020781001	PSD	000	2 OF 2