



Chipsmall Limited consists of a professional team with an average of over 10 year of expertise in the distribution of electronic components. Based in Hongkong, we have already established firm and mutual-benefit business relationships with customers from,Europe,America and south Asia,supplying obsolete and hard-to-find components to meet their specific needs.

With the principle of “Quality Parts,Customers Priority,Honest Operation,and Considerate Service”,our business mainly focus on the distribution of electronic components. Line cards we deal with include Microchip,ALPS,ROHM,Xilinx,Pulse,ON,Everlight and Freescale. Main products comprise IC,Modules,Potentiometer,IC Socket,Relay,Connector.Our parts cover such applications as commercial,industrial, and automotives areas.

We are looking forward to setting up business relationship with you and hope to provide you with the best service and solution. Let us make a better world for our industry!



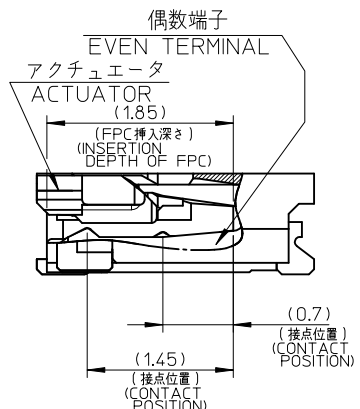
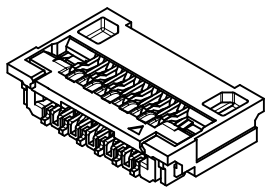
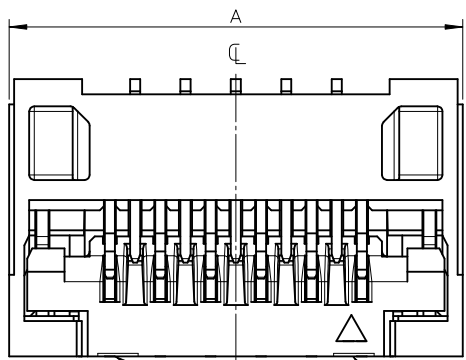
Contact us

Tel: +86-755-8981 8866 Fax: +86-755-8427 6832

Email & Skype: info@chipsmall.com Web: www.chipsmall.com

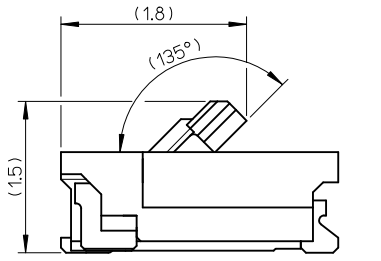
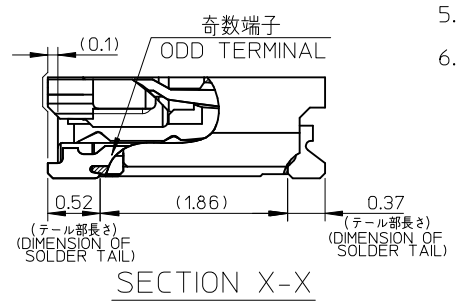
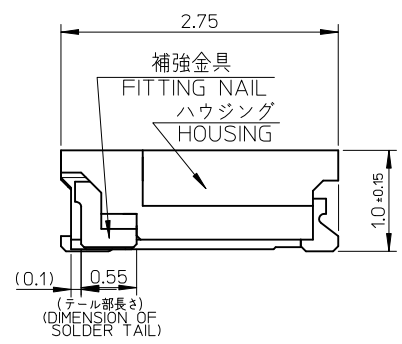
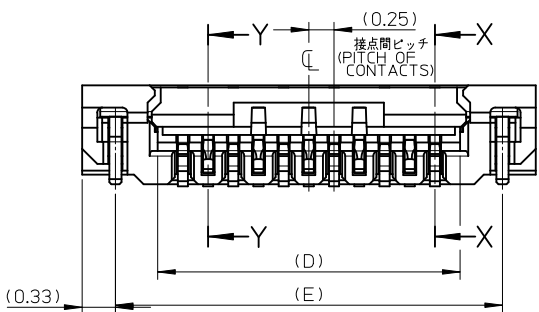
Address: A1208, Overseas Decoration Building, #122 Zhenhua RD., Futian, Shenzhen, China



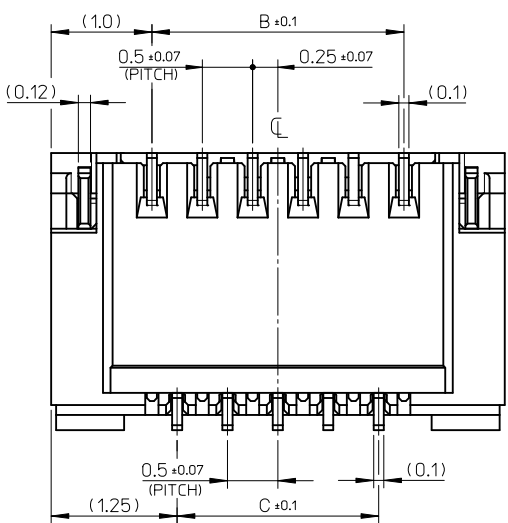


注記 NOTES

1. 使用材料 MATERIALS
 - ハウジング : 耐熱性樹脂(UL94V-0、ベージュ)
 - アクチュエータ : 耐熱性樹脂(UL94HB、黒色)
 - 奇数端子 : 銅合金、ニッケル下地、金メッキ
 - 偶数端子 : 銅合金、ニッケル下地、金メッキ
 - 補強金具 : 銅合金、ニッケル下地、スズメッキ
 - HOUSING : G.F. HEAT RESISTANCE PLASTIC (BEIGE)
 - ACTUATOR : G.F. HEAT RESISTANCE PLASTIC (BLACK)
 - ODD TERMINAL : COPPER ALLOY, Gold OVER Nickel PLATING
 - EVEN TERMINAL : COPPER ALLOY, Gold OVER Nickel PLATING
 - FITTING NAIL : COPPER ALLOY, Tin OVER Nickel PLATING
- △ 端子、補強金具のコプラナリティーは 0.1 以下とする
COPLANARITY OF SOLDER TAILS AND FITTING NAILS : 0.1MAX.
3. 一般公差: ±0.3
GENERAL TOLERANCES: ±0.3
 - △ アクチュエータの図示箇所にゲート逃げの凹みがあります
THERE ARE DENT SHAPES AT ACTUATOR FOR MOLDING GATE
 5. ELV 及び RoHS 適合品
ELV AND ROHS COMPLIANT
 6. 塩素系・臭素系難燃剤非使用
CHLORINATED AND BROMINATED FLAME RETARDANTS FREE

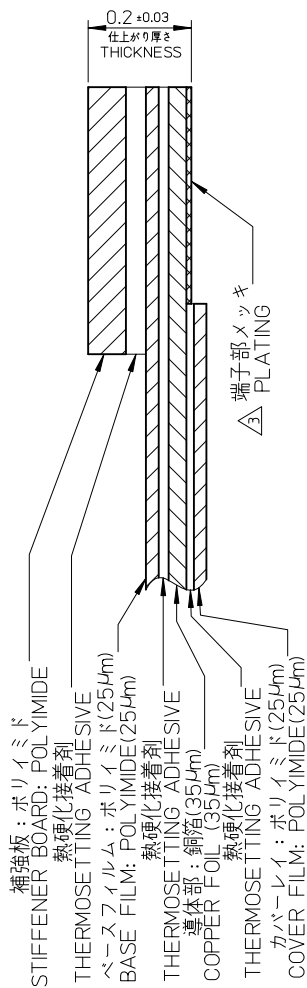


アクチュエータ開放位置
ACTUATOR OPENING POSITION

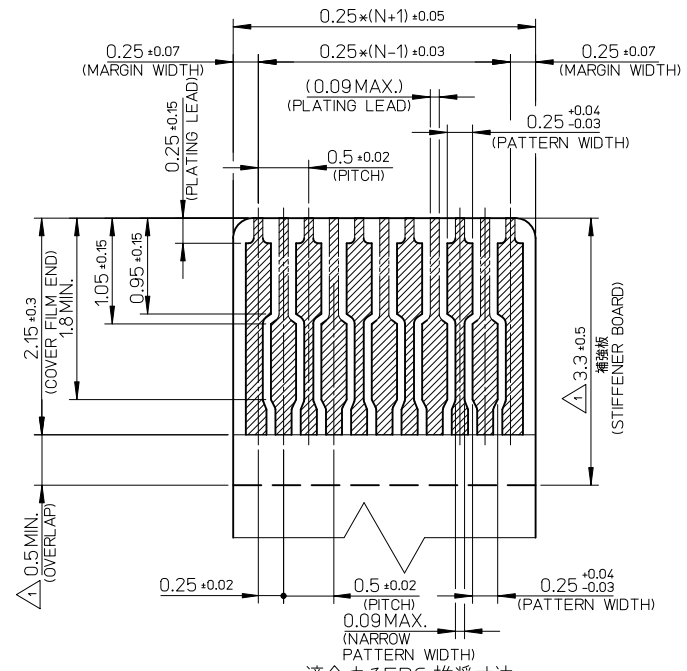


| | | | | | | | |
|-------|-----|-----|------|------|-------------|--------------|--------|
| 13.84 | 13 | 12 | 12.5 | 14.5 | 502078-5110 | 502078-5118 | 51 |
| 10.84 | 10 | 9 | 9.5 | 11.5 | 502078-3910 | 502078-3918 | 39 |
| 9.34 | 8.5 | 7.5 | 8 | 10 | 502078-3310 | 502078-3318 | 33 |
| 7.34 | 6.5 | 5.5 | 6 | 8 | 502078-2510 | 502078-2518 | 25 |
| 6.34 | 5.5 | 4.5 | 5 | 7 | 502078-2110 | 502078-2118 | 21 |
| 5.34 | 4.5 | 3.5 | 4 | 6 | 502078-1710 | 502078-1718 | 17 |
| E | D | C | B | A | ORDER NO. | MATERIAL NO. | CKT.=N |

| | | | | | | | | |
|--|-------------|---------------------------------------|------------|---|------------|-------------------------------|------------------------|---|
| REVISED EC NO: J2012-0409 DRAWN: TANAKA 2011/09/21 CHKD: APPR: SHOSHIKAWA 2011/09/30 | DESCRIPTION | GENERAL TOLERANCES (UNLESS SPECIFIED) | | DIMENSION STYLE | SCALE | DESIGN UNITS | THIRD ANGLE PROJECTION | |
| | | | | MM ONLY | 20:1 | METRIC | ◎ □ | |
| | | 10 UNDER | ± --- | DRAWN BY | DATE | TITLE | | 0.25 PITCH FPC CONN E/O HGT=1.0 BTM CONTACT TYPE |
| | | 10 OVER 30 UNDER | ± --- | YFUJITA | 2008/12/15 | | | |
| 30 OVER | ± --- | CHECKED BY | DATE | MOLEX INCORPORATED | | DOCUMENT NO. SD-502078-003 | | |
| ANGULAR | ± 1 ° | TKANEKO | 2008/12/15 | MATERIAL NO. | | | SHEET NO. 1 OF 2 | |
| DRAFT WHERE APPLICABLE MUST REMAIN WITHIN DIMENSIONS | | SEE CHART | | THIS DRAWING CONTAINS INFORMATION THAT IS PROPRIETARY TO MOLEX INCORPORATED AND SHOULD NOT BE USED WITHOUT WRITTEN PERMISSION | | | | |



FPC 構成材料例
EXAMPLE OF FPC COMPOSITION MATERIAL

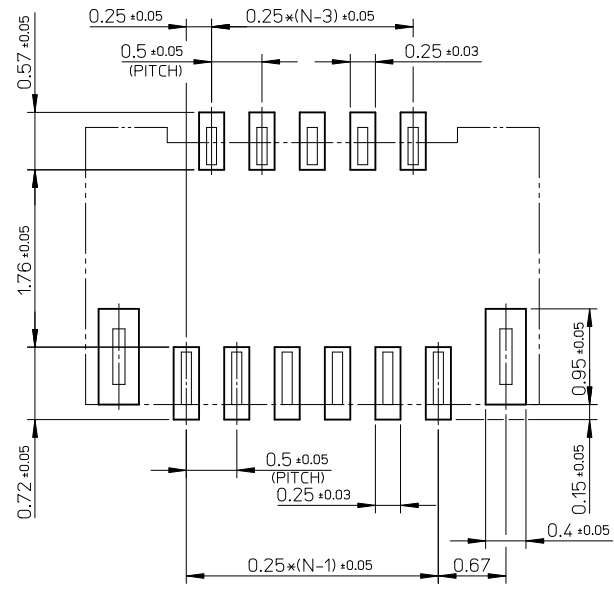


適合するFPC 推奨寸法
APPLICABLE FPC
RECOMMENDED DIMENSION

(端子部仕上がり厚さ: 0.2±0.03)
(THICKNESS: 0.2±0.03)

注記 NOTES

- 補強板長さが図面通り確保できない場合は、カバーレイと補強板のオーバーラップ寸法を 0.5mm 以上としてください
WHEN STIFFENER BOARD DIMENSION CAN NOT BE SECURE AS DRAWING, PLEASE GIVE THE OVERLAP SIZE OF COVER FILM AND STIFFENER BOARD AS 0.5mm MINIMUM
- 推奨ペースト厚 : 100µm
推奨マスク開口率 : 80%
RECOMMEND SCREEN THICKNESS : 100µm
RECOMMEND SCREEN OPEN RATIO : 80%



FPC挿入側
FPC INSERSION SIDE
参考基板レイアウト
RECOMMENDED PCB
PATTERN DIMENSIONS (REF.)

4 FPCについて (ABOUT FPC)

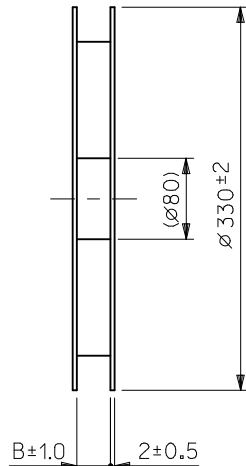
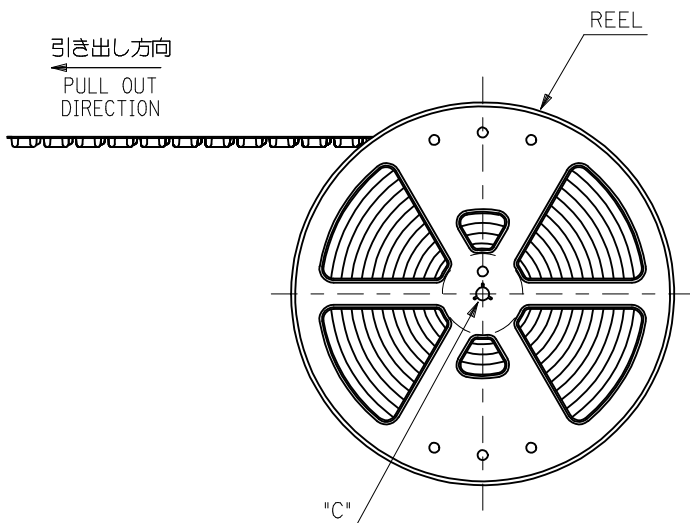
抜き方向は、導体側から補強板側を推奨します
補強板材質は、ポリイミドを推奨します
接着剤は熱硬化接着剤を推奨します
なお、接着剤の接点部への付着は導通不良の原因となりますので染み出しがないよう、お願いします
RECOMMENDED PUNCHER DIRECTION:
FROM CONDUCTOR SIDE TO STIFFENER BOARD SIDE
RECOMMENDED MATERIAL:
STIFFENER BOARD: POLYIMIDE
BONDING AGENT: THERMOSETTING AGENT
PLEASE PUT APPROPRIATE AMOUNT OF ADHESIVE ON THE CONTACT AREA BECAUSE THE EXTRA ADHESIVE MAY CAUSE THE DEFECT IN ELECTRICAL CONTINUITY

| | | | | | | |
|---|---------------------------------------|------------|---|-------------------------------|--|------------------------|
| REVISED EC NO: J2012-04-09 DRAWN: TANAKA 2011/09/21 CHKD: APPR: SHOSHIKAWA 2011/09/30 | GENERAL TOLERANCES (UNLESS SPECIFIED) | | DIMENSION STYLE MM ONLY | SCALE 20:1 | DESIGN UNITS METRIC | THIRD ANGLE PROJECTION |
| | 10 UNDER | ± --- | DRAWN BY YFUJITA | DATE 2008/12/15 | TITLE 0.25 PITCH FPC CONN E/O HGT=1.0 BTM CONTACT TYPE | |
| | 10 OVER 30 UNDER | ± --- | CHECKED BY TKANEKO | DATE 2008/12/15 | MOLEX INCORPORATED | |
| | 30 OVER | ± --- | APPROVED BY AHORINO | DATE 2008/12/15 | | |
| | ANGULAR | ±1 ° | MATERIAL NO. SEE SHEET 1 OF 2 | DOCUMENT NO. SD-502078-003 | SHEET NO. 2 OF 2 | |
| DRAFT WHERE APPLICABLE MUST REMAIN WITHIN DIMENSIONS | | SIZE A3 | THIS DRAWING CONTAINS INFORMATION THAT IS PROPRIETARY TO MOLEX INCORPORATED AND SHOULD NOT BE USED WITHOUT WRITTEN PERMISSION | | | |

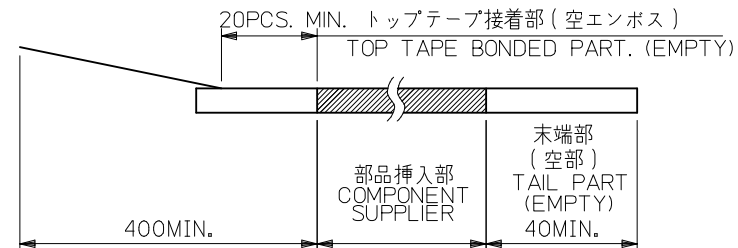
注記 NOTES

- 製品詳細寸法については図面 SD-502078-003 を参照下さい。
RE DETAILED DIMENSION, SEE SD-502078-003
- 梱包数量：3000 個/リール
NUMBER OF CONNECTORS : 3000 PCS/REEL
- リードテープ長さ LEAD TAPE LENGTH

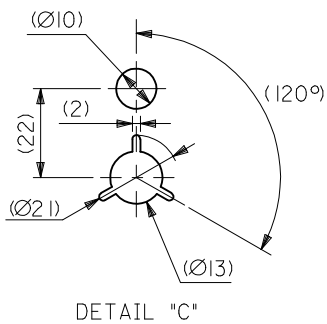
引き出し方向
PULL OUT
DIRECTION



引き出し方向
PULL OUT
DIRECTION

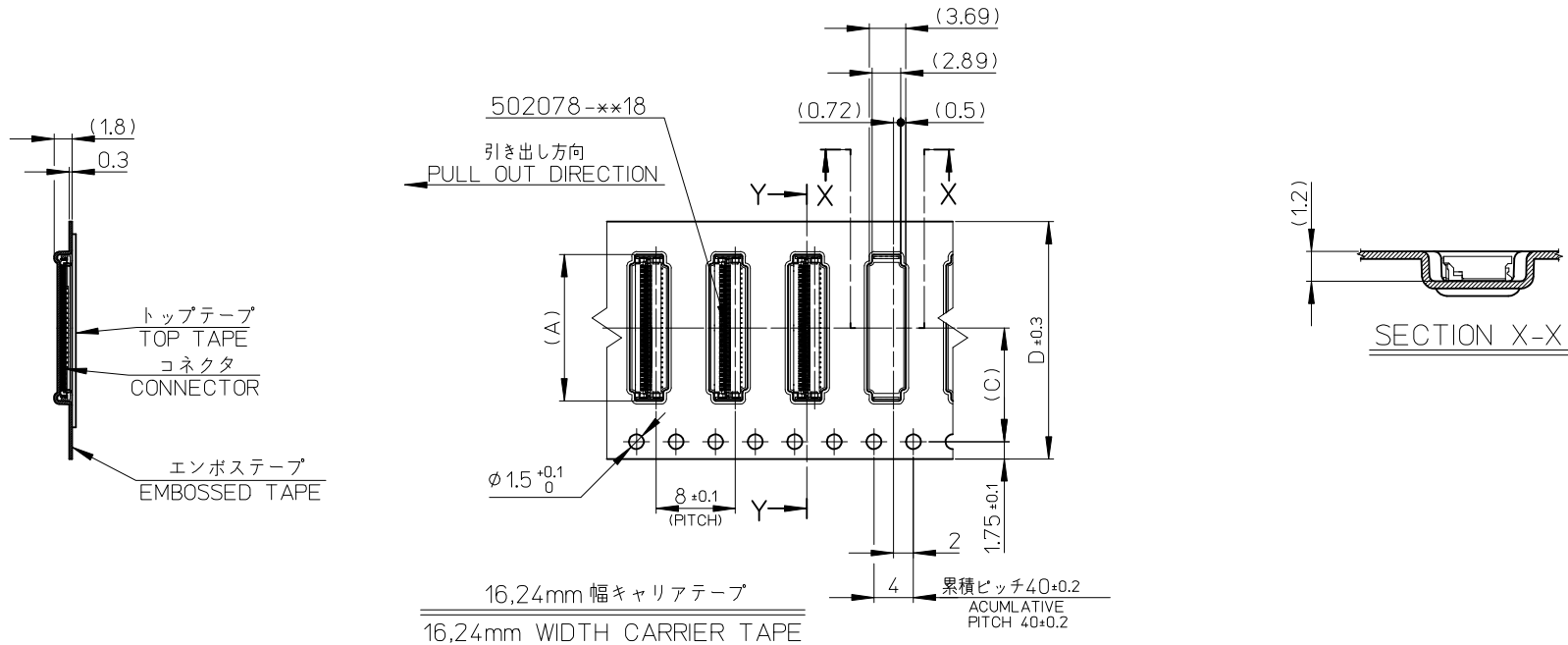


- 材料 MATERIAL
キャリアテープ (CARRIER TAPE) : ポリスチレン (POLYSTYRENE)
トップテープ (TOP TAPE) : PET, PE, PEF
リール (REEL) : ポリスチレン (PS) <リサイクル材を含む>
POLYSTYRENE (PS) <RECYCLE MATERIAL CONTAINED>



DETAIL "C"

| | | | | | | | |
|---|---------------------------------------|-------|--|--------------------|---|------------------------|-------------------------|
| RELEASED EC NO: J2009-1529 DRWN: YFUJITA 2008/12/15 CHKD: TKANEKO 2008/12/15 APPR: TKANEKO 2008/12/15 | GENERAL TOLERANCES (UNLESS SPECIFIED) | | DIMENSION STYLE MM ONLY | | SCALE 1:1 | DESIGN UNITS METRIC | MODEL NO. 502078-**10 |
| | 10 UNDER | ±0.2 | DRAWN BY YFUJITA | DATE 2008/12/15 | TITLE 0.25 FPC CONN E/O HSG ASSY EMBOSSED TAPE PACKAGE | | |
| | 10 OVER 30 UNDER | ±0.25 | CHECKED BY TKANEKO | DATE 2008/12/15 | MATERIAL NO. SEE CHART | | |
| | 30 OVER | ±0.3 | APPROVED BY AHORINO | DATE 2008/12/15 | DOCUMENT NO. SD-502078-004 | | |
| | ANGULAR ±1 ° | | DRAFT WHERE APPLICABLE MUST REMAIN WITHIN DIMENSIONS | | SHEET NO. 1 OF 2 | | |



| | | | | | |
|-------------------------------------|------|------|-----------|----------------------|--------------|
| 24 | 11.5 | 25.4 | 14.8 | 502078-5110 | 51 |
| | | | 11.8 | 502078-3910 | 39 |
| | | | 10.3 | 502078-3310 | 33 |
| | | | 8.3 | 502078-2510 | 25 |
| | | | 7.3 | 502078-2110 | 21 |
| 16 | 7.5 | 17.4 | 6.3 | 502078-1710 | 17 |
| D キャリアテープ幅 CARRIER TAPE WIDTH | C | B | (A) | 製品番号 MATERIAL NO. | 極数 CKT. |
| | | | MODEL NO. | | 502078-***10 |

| | | | | | | | | | | | |
|---|-----------------------|---------------------------------------|-------|-----------------------------------|--------------------|---|--|-------------------------------|--|------------------------|--|
| RELEASED EC NO: J2009-1529 DRWN: YFUJITA 2008/12/15 CHKD: TKANEKO 2008/12/15 APPR: TKANEKO 2008/12/15 | DESCRIPTION REV: O | GENERAL TOLERANCES (UNLESS SPECIFIED) | | DIMENSION STYLE MM ONLY | | SCALE 1:1 | | DESIGN UNITS METRIC | | THIRD ANGLE PROJECTION | |
| | | 10 UNDER | ±0.2 | DRAWN BY YFUJITA | DATE 2008/12/15 | TITLE 0.25MM FPC CONN E/O HSG ASSY EMBOSSED TAPE PACKAGE MOLEX INCORPORATED SEE CHART DOCUMENT NO. SD-502078-004 SHEET NO. 2 OF 2 | | | | | |
| | | 10 OVER 30 UNDER | ±0.25 | CHECKED BY TKANEKO | DATE 2008/12/15 | | | | | | |
| | | 30 OVER | ±0.3 | APPROVED BY AHORINO | DATE 2008/12/15 | | | | | | |
| | | ANGULAR ±1 ° | | MATERIAL NO. SEE CHART | | | | | | | |
| DRAFT WHERE APPLICABLE MUST REMAIN WITHIN DIMENSIONS | | SIZE A3 | | | | | | | | | |