



Chipsmall Limited consists of a professional team with an average of over 10 year of expertise in the distribution of electronic components. Based in Hongkong, we have already established firm and mutual-benefit business relationships with customers from,Europe,America and south Asia,supplying obsolete and hard-to-find components to meet their specific needs.

With the principle of “Quality Parts,Customers Priority,Honest Operation,and Considerate Service”,our business mainly focus on the distribution of electronic components. Line cards we deal with include Microchip,ALPS,ROHM,Xilinx,Pulse,ON,Everlight and Freescale. Main products comprise IC,Modules,Potentiometer,IC Socket,Relay,Connector.Our parts cover such applications as commercial,industrial, and automotives areas.

We are looking forward to setting up business relationship with you and hope to provide you with the best service and solution. Let us make a better world for our industry!



Contact us

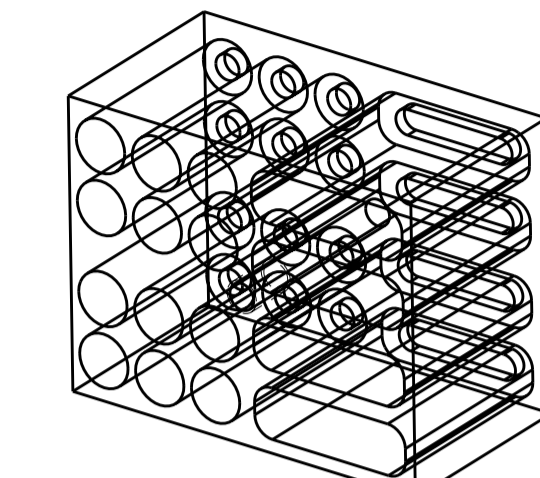
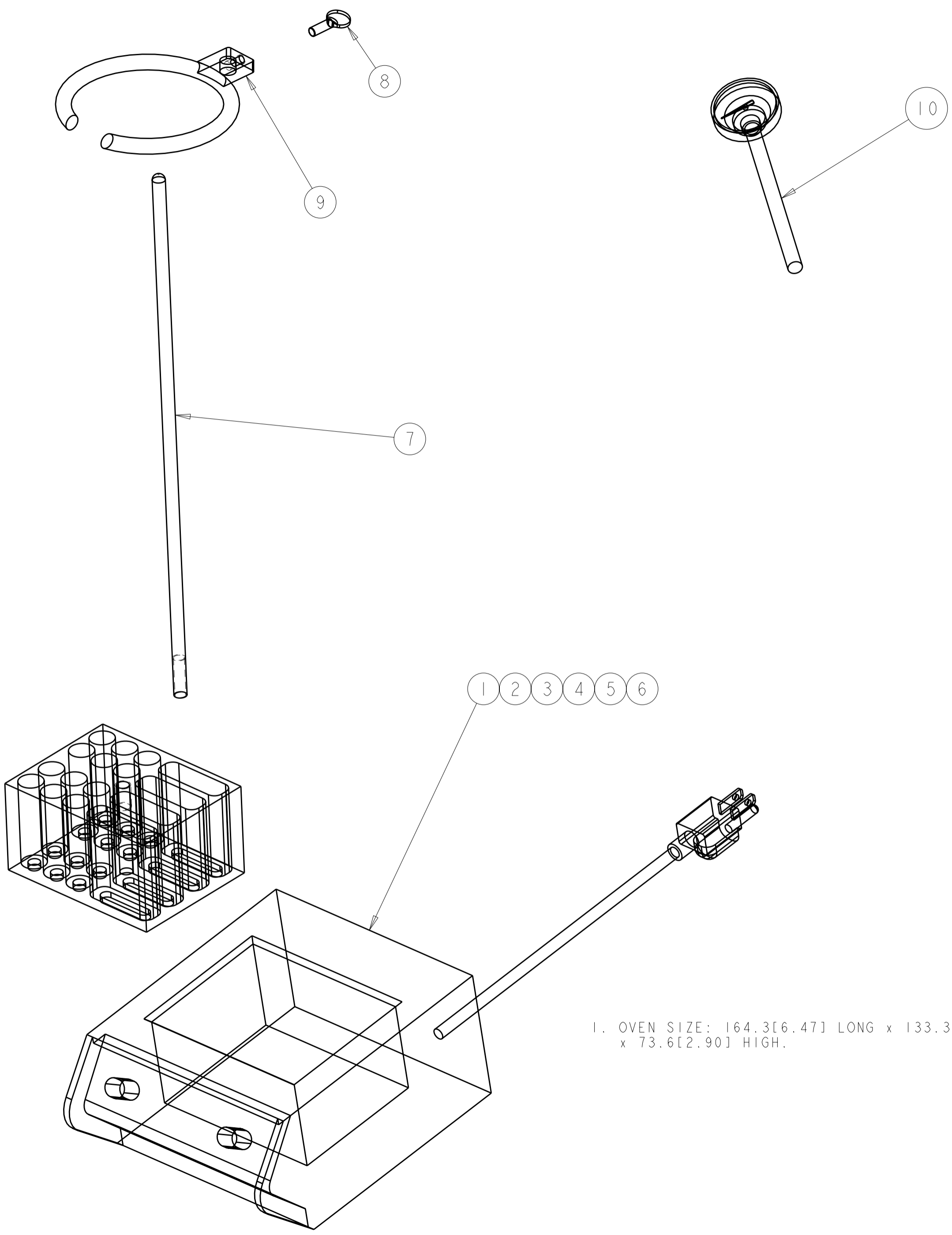
Tel: +86-755-8981 8866 Fax: +86-755-8427 6832

Email & Skype: info@chipsmall.com Web: www.chipsmall.com

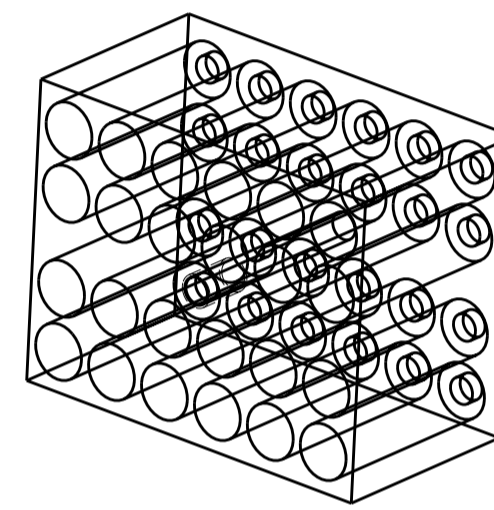
Address: A1208, Overseas Decoration Building, #122 Zhenhua RD., Futian, Shenzhen, China



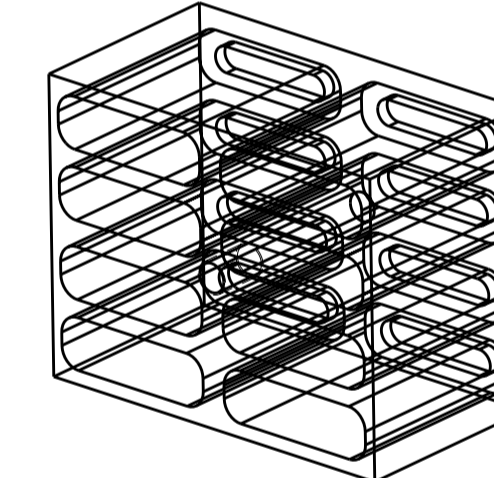
LOC	DIST	REVISIONS					
CE	00	F	LTR	DESCRIPTION	DATE	DWN	APVD
		J		REVISE PER ECR-06-015377	13JUL2006	BB	DK



UNIVERSAL HEAT CURE BLOCK
INCLUDED WITH 502134-1 & -2



SMA, ST, FC HEAT CURE BLOCK
INCLUDED WITH 502134-3 & -4



FSD HEAT CURE BLOCK
INCLUDED WITH 502134-5 & -6

OBSOLETE

1. OVEN SIZE: 164.3[6.47] LONG x 133.3[5.25] WIDE
x 73.6[2.90] HIGH.

	1	2	3	4	5	6	DESCRIPTION	ITEM NO.
							THERMOMETER	10
							CABLE SUPPORT BRACKET	9
							#10-24 UNC x .50 THUMB SCREW	8
							CABLE SUPPORT ROD	7
		-	-	-	-	-	240V OVEN WITH FSD BLOCK	6
	-		-	-	-	-	120V OVEN WITH FSD BLOCK	5
	-	-		-	-	-	240V OVEN WITH SMA,ST,FC BLOCK	4
	-	-	-		-	-	120V OVEN WITH SMA,ST,FC BLOCK	3
	-	-	-	-		-	240V OVEN WITH UNIVERSAL BLOCK	2
	-	-	-	-	-		120V OVEN WITH UNIVERSAL BLOCK	1
	-6	-5	-4	-3	-2	-1	DESCRIPTION	ITEM NO.

<small>THIS DRAWING IS A CONTROLLED DOCUMENT FOR AMP INCORPORATED. IT IS SUBJECT TO CHANGE AND THE CONTROLLING ENGINEERING ORGANIZATION SHOULD BE CONTACTED FOR THE LATEST REVISION.</small>		DWN B. BRIGGS 13JUL2006 CHK D. KIRSCH 13JUL2006 APVD S. BUCHTER 13JUL2006	AMP Tyco Electronics Harrisburg, PA 17105-3608
DIMENSIONS: mm [INCHES]	TOLERANCES UNLESS OTHERWISE SPECIFIED: 0 PLC ± 1 PLC ±3.0(.12) 2 PLC ± 3 PLC ± 4 PLC ± ANGLES ± FINISH -	PRODUCT SPEC - APPLICATION SPEC - WEIGHT -	NAME HEAT CURE OVEN ASSEMBLY, OPTIMATE SIZE A2 CAGE CODE 00779 DRAWING NO. 502134 SCALE NTS SHEET 1 OF 1 REV J
CUSTOMER DRAWING			