



Chipsmall Limited consists of a professional team with an average of over 10 year of expertise in the distribution of electronic components. Based in Hongkong, we have already established firm and mutual-benefit business relationships with customers from,Europe,America and south Asia,supplying obsolete and hard-to-find components to meet their specific needs.

With the principle of “Quality Parts,Customers Priority,Honest Operation,and Considerate Service”,our business mainly focus on the distribution of electronic components. Line cards we deal with include Microchip,ALPS,ROHM,Xilinx,Pulse,ON,Everlight and Freescale. Main products comprise IC,Modules,Potentiometer,IC Socket,Relay,Connector.Our parts cover such applications as commercial,industrial, and automotives areas.

We are looking forward to setting up business relationship with you and hope to provide you with the best service and solution. Let us make a better world for our industry!



Contact us

Tel: +86-755-8981 8866 Fax: +86-755-8427 6832

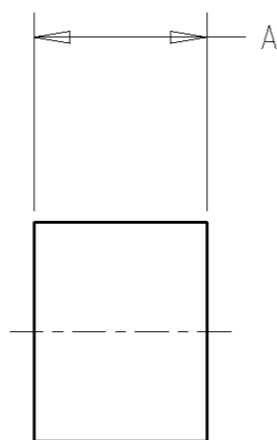
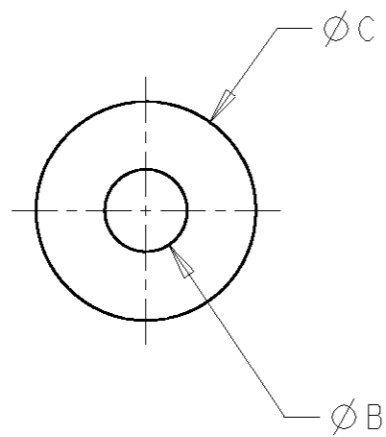
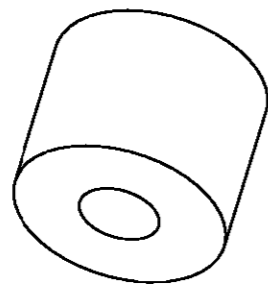
Email & Skype: info@chipsmall.com Web: www.chipsmall.com

Address: A1208, Overseas Decoration Building, #122 Zhenhua RD., Futian, Shenzhen, China



THIS DRAWING IS UNPUBLISHED. RELEASED FOR PUBLICATION 20
 © COPYRIGHT 20 BY TYCO ELECTRONICS CORPORATION. ALL RIGHTS RESERVED.

LOC	DIST	REVISIONS					
		P	LTR	DESCRIPTION	DATE	DWN	APVD
CE	16		E	REV PER 0A00-0102-02	01FEB2002	BB	LS
			F	REV PER 0A00-0559-02	24JUN2002	JWD	SB
			G	REV PER 0A00-0587-03	14APR04	KG	SB



1 BULK PACKAGED 100 PCS PER BAG.
 2 MATERIAL: P/N 983633-1.

OBSOLETE	1	3.18 [.125]	1.57 [.062]	19.00 [.75]	1-502179-3
OBSOLETE	1	2.97 [.117]	1.09 [.043]	5.59 [.22]	502179-9
OBSOLETE	1	2.97 [.117]	1.09 [.043]	36.58 [1.44]	502179-8
OBSOLETE	1	2.97 [.117]	1.09 [.043]	8.89 [.35]	502179-5
OBSOLETE		2.97 [.117]	1.09 [.043]	24.40 [1.00]	502179-4
		2.97 [.117]	1.09 [.043]	8.89 [.35]	502179-3
OBSOLETE		2.97 [.117]	1.09 [.043]	11.43 [.45]	502179-2
OBSOLETE		2.97 [.117]	1.09 [.043]	2.24 [.09]	502179-1
		ØC	ØB	A	PART NUMBER

<small>THIS DRAWING IS A CONTROLLED DOCUMENT FOR TYCO ELECTRONICS CORPORATION IT IS SUBJECT TO CHANGE AND THE CONTROLLING ENGINEERING ORGANIZATION SHOULD BE CONTACTED FOR THE LATEST REVISION.</small>		DWN B. BRIGGS 31OCT2001 CHR L. SAUERWEIN 31OCT2001 APVD B. EDWARDS 31OCT2001	AMP Tyco Electronics Harrisburg, PA 17105-3608
DIMENSIONS: mm [INCHES]	TOLERANCES UNLESS OTHERWISE SPECIFIED:	PRODUCT SPEC - APPLICATION SPEC - WEIGHT -	NAME TYGON TUBING - - SIZE CAGE CODE DRAWING NO RESTRICTED TO A3 00779 C-502179 -
MATERIAL - 2	FINISH -	CUSTOMER DRAWING	SCALE 10:1 SHEET 1 OF 1 REV G