



Chipsmall Limited consists of a professional team with an average of over 10 year of expertise in the distribution of electronic components. Based in Hongkong, we have already established firm and mutual-benefit business relationships with customers from,Europe,America and south Asia,supplying obsolete and hard-to-find components to meet their specific needs.

With the principle of “Quality Parts,Customers Priority,Honest Operation,and Considerate Service”,our business mainly focus on the distribution of electronic components. Line cards we deal with include Microchip,ALPS,ROHM,Xilinx,Pulse,ON,Everlight and Freescale. Main products comprise IC,Modules,Potentiometer,IC Socket,Relay,Connector.Our parts cover such applications as commercial,industrial, and automotives areas.

We are looking forward to setting up business relationship with you and hope to provide you with the best service and solution. Let us make a better world for our industry!



Contact us

Tel: +86-755-8981 8866 Fax: +86-755-8427 6832

Email & Skype: info@chipsmall.com Web: www.chipsmall.com

Address: A1208, Overseas Decoration Building, #122 Zhenhua RD., Futian, Shenzhen, China



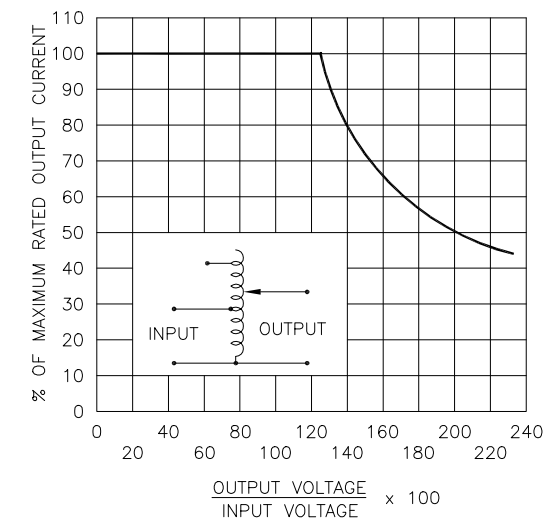
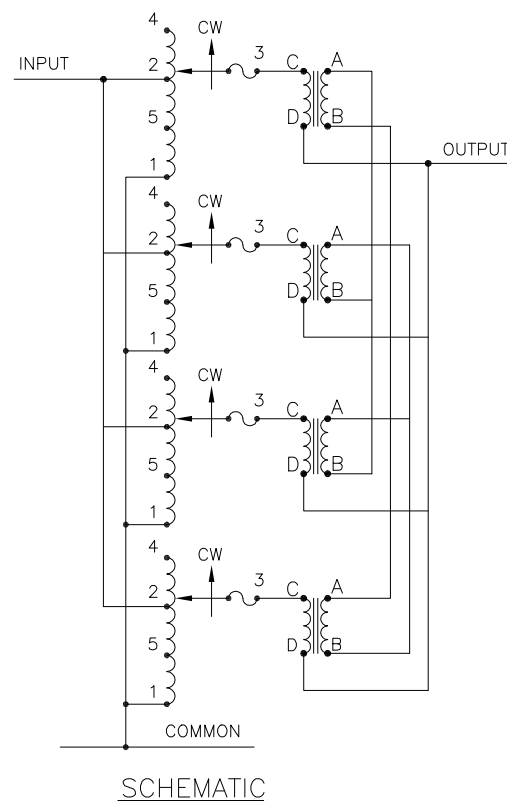
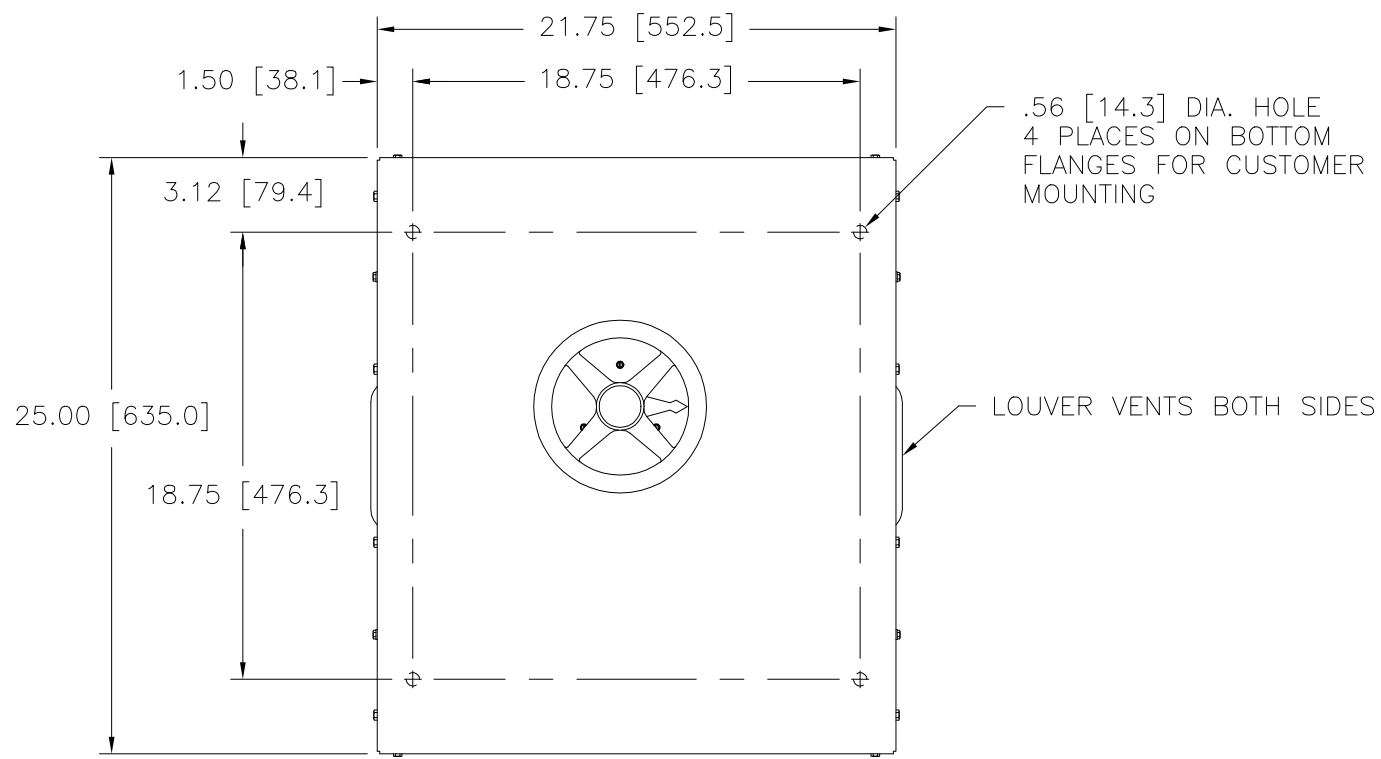
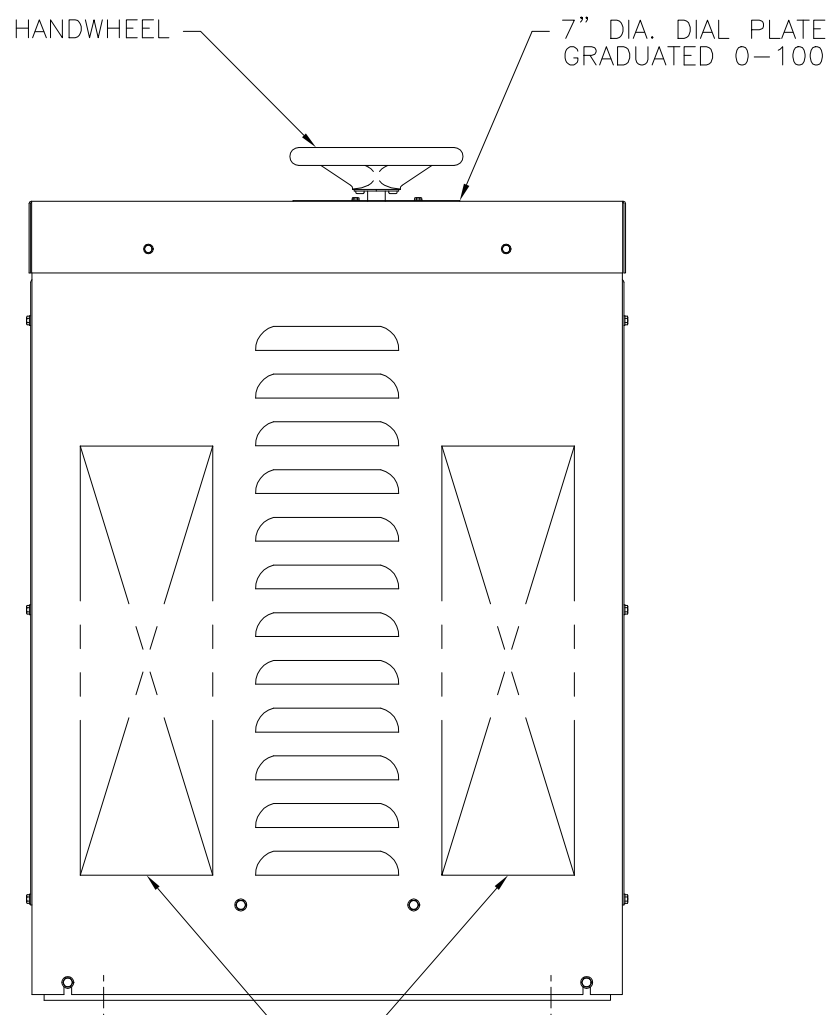
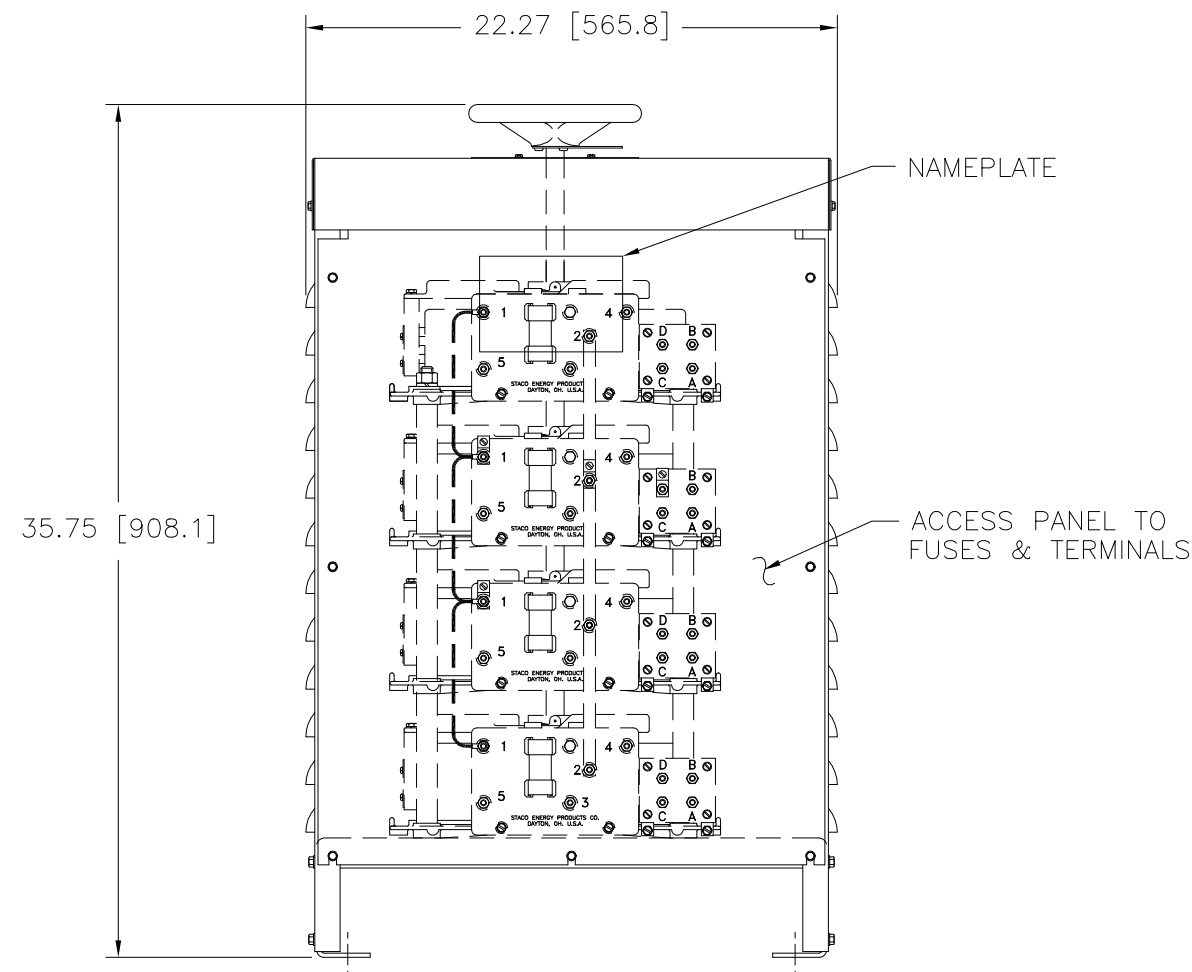


FIGURE A
 MAXIMUM OUTPUT CURRENT OF ANY DUAL INPUT VOLTAGE OR VOLTAGE DOUBLER UNIT OPERATED AT LOWER INPUT VOLTAGE.

* MAXIMUM OUTPUT CURRENT IN OUTPUT VOLTAGE RANGE FROM 0 TO 25% ABOVE LINE VOLTAGE. AT HIGHER OUTPUT VOLTAGES, OUTPUT CURRENT MUST BE REDUCED ACCORDING TO RATING CURVE, FIGURE A.
 † MAXIMUM KVA AT MAXIMUM OUTPUT AND CORRESPONDING DE-RATED CURRENT. MAXIMUM KVA AT LOWER OUTPUT VOLTAGES MAY BE CALCULATED FROM RATING CURVE, FIGURE A.
 V.D. = VOLTAGE DOUBLER.



SPECIFICATIONS									
WIRING	INPUT		OUTPUT			SHAFT ROTATION TO INCREASE VOLTAGE	TERMINAL CONNECTIONS FOR INCREASING VOLTAGE AS VIEWED FROM ROTOR END		
	VOLTS	HERTZ	VOLTS	MAX. AMPS	MAX. KVA		INPUT	JUMPER	OUTPUT
SINGLE PHASE	240	50/60	0-240	112	26.9	CW	1-4	---	1-D
			0-280	112	31.4	CW	1-2	---	1-D
PARALLEL	120	50/60	0-280	112-48 V.D.	13.5 †	CW	1-5	---	1-D

UNLESS OTHERWISE SPECIFIED, TOLERANCE IS #	UNITS	TITLE:	
DECIMALS .010 XX .002 XXX .005	Holes .002 ANGLES 1° DRAFT 1-1/2°	IN [mm]	
MATERIAL:	ALL DIMENSIONS APPLY AFTER PLATING	SPEC. CONTROL DRAWING VARIABLE TRANSFORMER TYPE: 5021E-4P	
The information and design disclosed herein was originated by and is the property of STACO ENERGY PRODUCTS CO., which reserves all patent, proprietary, design, manufacturing, reproduction, use and sale rights thereto, and to any article disclosed therein except to the extent rights are expressly granted to others. The foregoing does not apply to vendor proprietary parts.	DRAWN BY: RAU CHECKER: DATE: 1/13/00 ENGINEER: DATE:	DATE: 1/13/00 WEIGHT APPROX. 83008 SCALE .25=1	DO NOT SCALE DWG. CUSTOMER APPROVAL: DATE: