



Chipsmall Limited consists of a professional team with an average of over 10 year of expertise in the distribution of electronic components. Based in Hongkong, we have already established firm and mutual-benefit business relationships with customers from,Europe,America and south Asia,supplying obsolete and hard-to-find components to meet their specific needs.

With the principle of “Quality Parts,Customers Priority,Honest Operation,and Considerate Service”,our business mainly focus on the distribution of electronic components. Line cards we deal with include Microchip,ALPS,ROHM,Xilinx,Pulse,ON,Everlight and Freescale. Main products comprise IC,Modules,Potentiometer,IC Socket,Relay,Connector.Our parts cover such applications as commercial,industrial, and automotives areas.

We are looking forward to setting up business relationship with you and hope to provide you with the best service and solution. Let us make a better world for our industry!



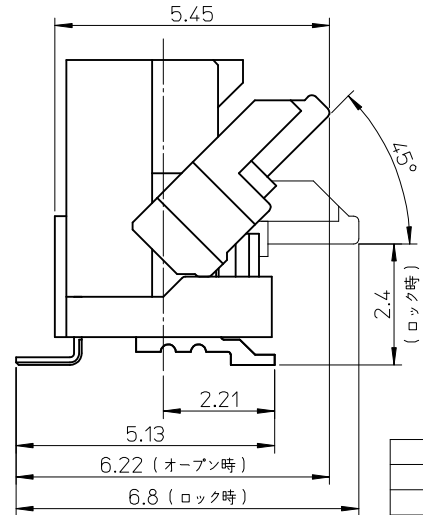
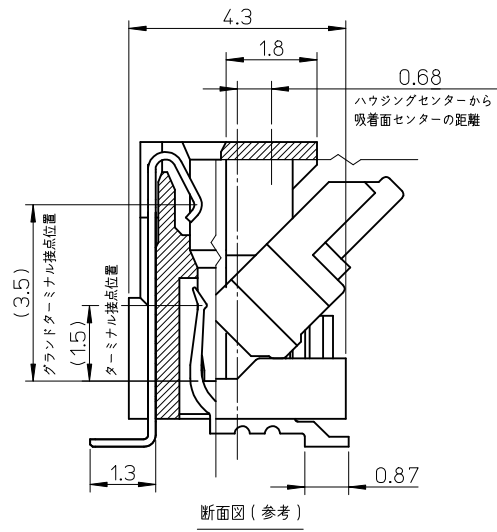
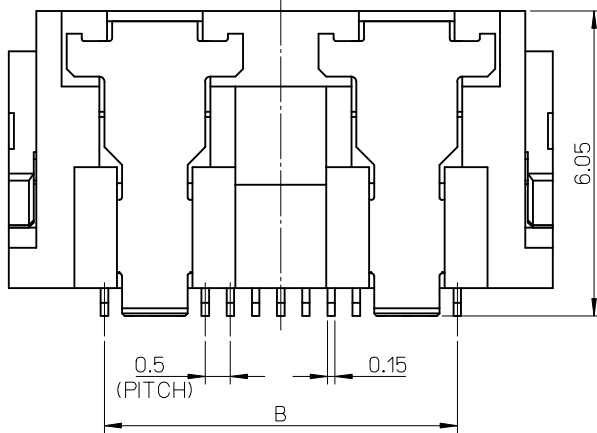
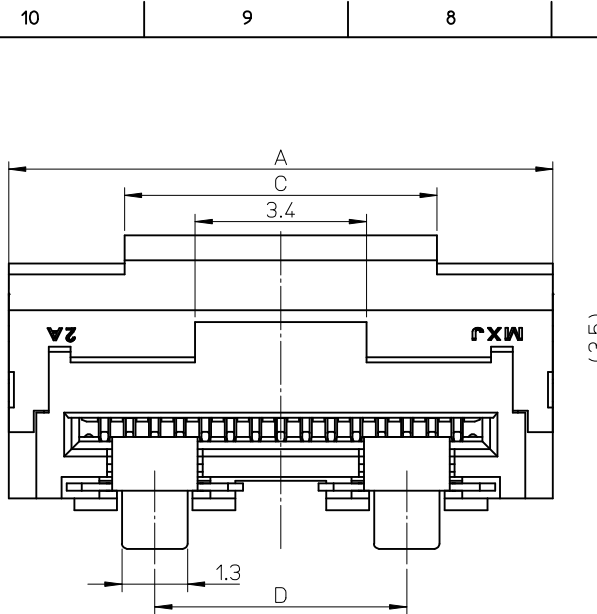
Contact us

Tel: +86-755-8981 8866 Fax: +86-755-8427 6832

Email & Skype: info@chipsmall.com Web: www.chipsmall.com

Address: A1208, Overseas Decoration Building, #122 Zhenhua RD., Futian, Shenzhen, China





注記
NOTES:
~~~~~

1.材質  
MATERIAL  
ハウジング:LCP(液晶ポリマー)、ガラス充填、ナチュラル色、UL94V-0  
HOUSING:LIQUID CRYSTAL POLYMER, GLASS FILLED, COLOR:NATURAL, UL94V-0  
アクチュエータ:ポリアミド9T、ガラス充填、茶色、UL94V-0  
ACTUATOR:POLYAMIDE 9T, GLASS FILLED, COLOR:BROWN, UL94V-0  
ターミナル:燐青銅 (t=0.15)  
TERMINAL:PHOSPHOR BRONZE (t=0.15)  
グラウンドターミナル:燐青銅 (t=0.15)  
GROUND TERMINAL:PHOSPHOR BRONZE (t=0.15)

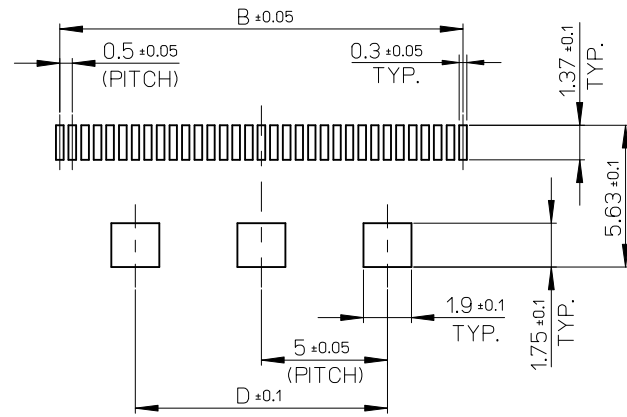
2.めっき仕様  
PLATING  
ターミナル  
TERMINAL  
金めっき  
GOLD PLATING  
下地ニッケルめっき  
UNDER PLATING:NICKEL PLATING  
グラウンドターミナル  
GROUND TERMINAL  
錫めっき  
TIN PLATING  
下地ニッケルめっき  
UNDER PLATING:NICKEL PLATING

3.平坦度は、0.1ミリ以下とする。  
TAILS COPLANARITY TO BE 0.1 MAXIMUM.

△ 使用するFFCはターミナル用パターン導体部とグラウンドターミナル用パターン導体部が重ならないこと。  
FFC IS NOT OVER LAP PATTERN OF TERMINAL AND GROUND TERMINAL.

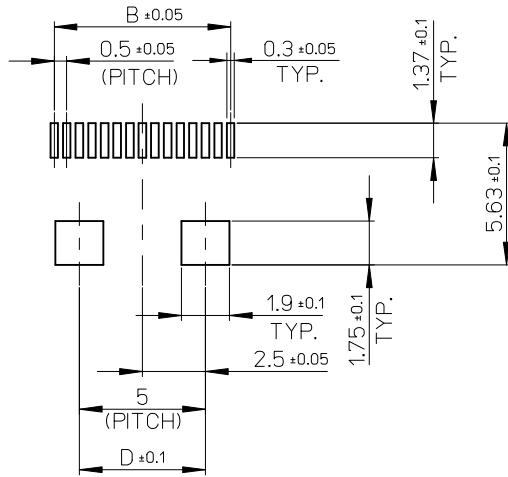
|                 |    |     |      |      |                   |             |      |
|-----------------|----|-----|------|------|-------------------|-------------|------|
| 3               | 10 | 10  | 16   | 19.8 | 502231-3300       | 502231-3309 | 33   |
| 2               | 5  | 10  | 11.5 | 15.3 | 502231-2400       | 502231-2409 | 24   |
| 2               | 5  | 6.2 | 7    | 10.8 | 502231-1500       | 502231-1509 | 15   |
| グラウンドターミナルピン数   | D  | C   | B    | A    | EMBOSSED TAPE     |             | 製品番号 |
| GROUND TERM QT. |    |     |      |      | ORDER No. オオーダー番号 |             | 極数   |
|                 |    |     |      |      | MATERIAL NO.      |             | 回路数  |
|                 |    |     |      |      | CIRCUITS          |             |      |

|                                                                                                                  |                                       |                                                      |                            |                           |                    |                                                                                                                               |                                                                         |                     |                        |  |
|------------------------------------------------------------------------------------------------------------------|---------------------------------------|------------------------------------------------------|----------------------------|---------------------------|--------------------|-------------------------------------------------------------------------------------------------------------------------------|-------------------------------------------------------------------------|---------------------|------------------------|--|
| REVISED<br>EC NO.: J2009-2073<br>DRWN:MTAKASAKI 2009/03/13<br>CHKD:MHAYASHI 2009/03/13<br>APPR:NUKITA 2009/03/13 | GENERAL TOLERANCES (UNLESS SPECIFIED) |                                                      | DIMENSION STYLE<br>MM ONLY |                           | SCALE<br>10:1      |                                                                                                                               | DESIGN UNITS<br>METRIC                                                  |                     | THIRD ANGLE PROJECTION |  |
|                                                                                                                  | 10 UNDER                              | ±0.2                                                 | DRAWN BY<br>TRSUZUKI       |                           | DATE<br>2006/08/24 |                                                                                                                               | TITLE<br>0.5 FFC CONN HSG ASSY FOR LVDS E/O STRAIGHT (GOLD) -LEAD FREE- |                     |                        |  |
|                                                                                                                  | 10 OVER 30 UNDER                      | ±0.25                                                | CHECKED BY<br>HHIRATA      |                           | DATE<br>2006/08/24 |                                                                                                                               | MOLEX INCORPORATED                                                      |                     |                        |  |
|                                                                                                                  | 30 OVER                               | ±0.3                                                 | APPROVED BY<br>MSASAO      |                           | DATE<br>2006/08/24 |                                                                                                                               |                                                                         |                     |                        |  |
|                                                                                                                  | ANGULAR ±1 °                          | DRAFT WHERE APPLICABLE MUST REMAIN WITHIN DIMENSIONS |                            | MATERIAL NO.<br>SEE CHART |                    | DOCUMENT NO.<br>SD-502231-001                                                                                                 |                                                                         | SHEET NO.<br>1 OF 2 |                        |  |
|                                                                                                                  |                                       |                                                      |                            | SIZE<br>A3                |                    | THIS DRAWING CONTAINS INFORMATION THAT IS PROPRIETARY TO MOLEX INCORPORATED AND SHOULD NOT BE USED WITHOUT WRITTEN PERMISSION |                                                                         |                     |                        |  |



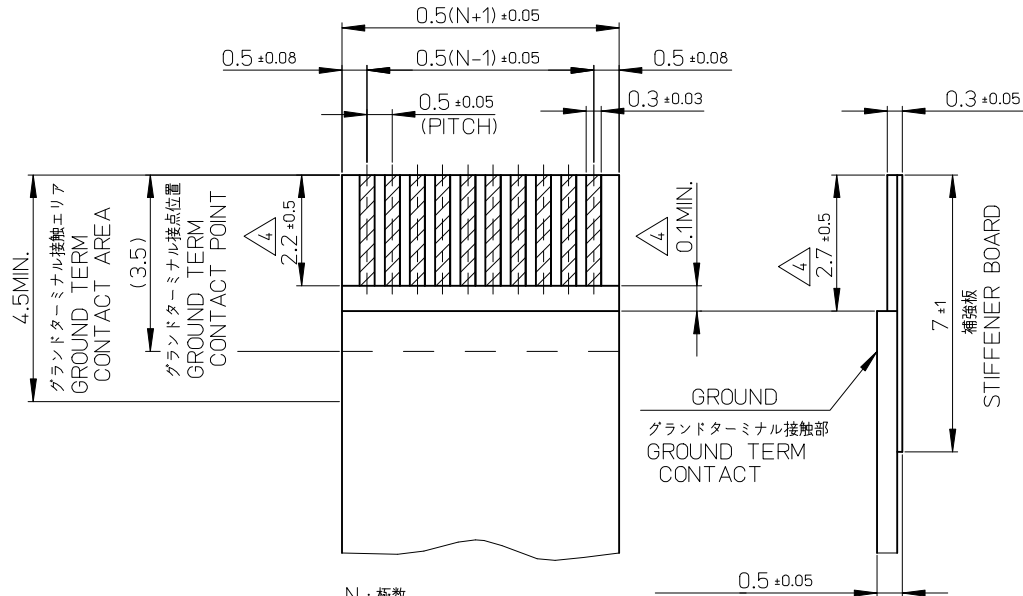
参考基板レイアウト  
(グラウンドターミナルピン数: 奇数品に適用)

P.C. BOARD PATTERN LAYOUT  
(GROUND TERMINAL QUANTITY: ODD NUMBER)



参考基板レイアウト  
(グラウンドターミナルピン数: 偶数品に適用)

P.C. BOARD PATTERN LAYOUT  
(GROUND TERMINAL QUANTITY: EVEN NUMBER)



N: 極数  
N: CIRCUITS

適合FFC推奨寸法  
APPLICABLE FFC  
RECOMMENDED DIMENSION

先端から5mm迄維持すること  
(コネクタグラウンドターミナル接触部)  
MAINTAIN MEASURE FROM  
THE POINT TO 5mm  
(GROUND TERM CONTACT)

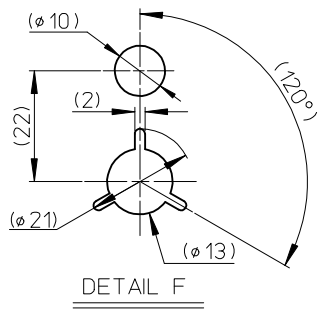
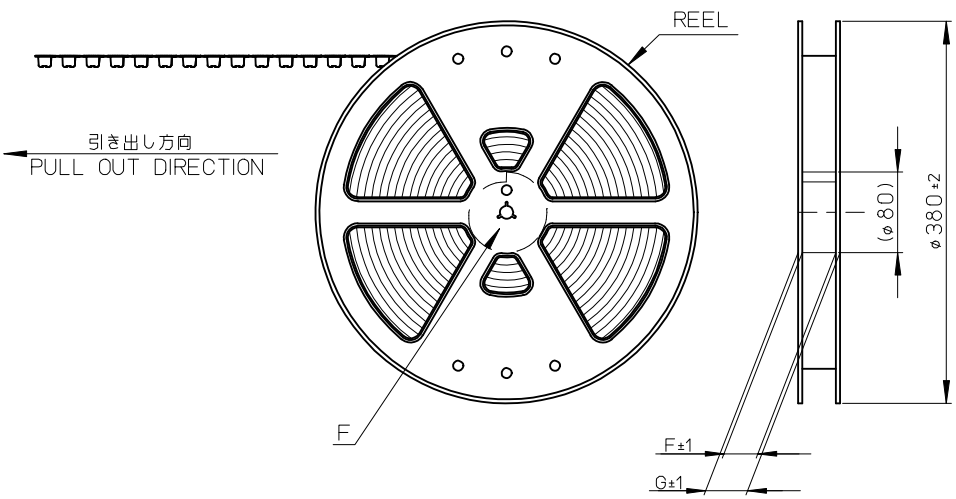
FFCについて:

抜き方向は導体側から補強板側を推奨致します。  
導体部については、軟銅箔: 35マイクロメートル又は50マイクロメートル  
金めっきを推奨致します。

ABOUT FFC:

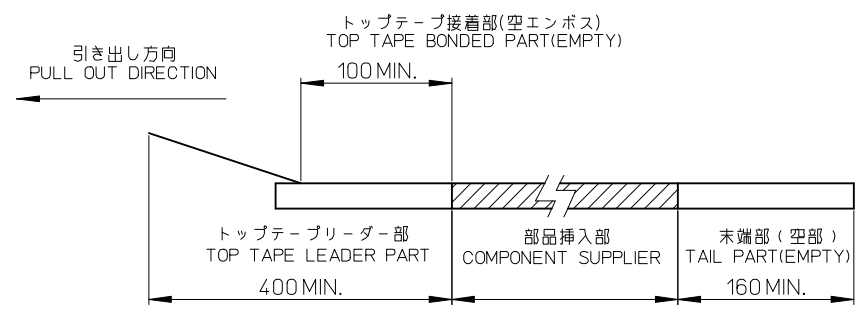
RECOMMENDED PUNCHER DIRECTION :  
FROM CONDUCTOR SIDE TO STIFFENER FILM SIDE.  
RECOMMENDED CONDUCTOR SPEC :  
THICKNESS OF SOFT COPPER :  
35 MICROMETER OR 50 MICROMETER  
GOLD PLATING

|                                                                                                                      |             |                                                                                                                                          |            |                                                      |                    |                                                                         |                        |  |  |
|----------------------------------------------------------------------------------------------------------------------|-------------|------------------------------------------------------------------------------------------------------------------------------------------|------------|------------------------------------------------------|--------------------|-------------------------------------------------------------------------|------------------------|--|--|
| SEE SHEET 1<br>EC NO.: J2009-2073<br>DRWN:MTAKASAKI 2009/03/13<br>CHKD:MHAYASHI 2009/03/13<br>APPR:NUKITA 2009/03/13 | DESCRIPTION | GENERAL TOLERANCES (UNLESS SPECIFIED)                                                                                                    |            | DIMENSION STYLE<br>MM ONLY                           | SCALE<br>5:1       | DESIGN UNITS<br>METRIC                                                  | THIRD ANGLE PROJECTION |  |  |
|                                                                                                                      |             | 10 UNDER                                                                                                                                 | $\pm 0.2$  | DRAWN BY<br>TRSUZUKI                                 | DATE<br>2006/08/24 | TITLE<br>0.5 FFC CONN HSG ASSY FOR LVDS E/O STRAIGHT (GOLD) -LEAD FREE- |                        |  |  |
|                                                                                                                      |             | 10 OVER 30 UNDER                                                                                                                         | $\pm 0.25$ | CHECKED BY<br>HHIRATA                                | DATE<br>2006/08/24 | MOLEX INCORPORATED                                                      |                        |  |  |
|                                                                                                                      |             | 30 OVER                                                                                                                                  | $\pm 0.3$  | APPROVED BY<br>MSASAO                                | DATE<br>2006/08/24 | DOCUMENT NO.<br>SD-502231-001                                           |                        |  |  |
|                                                                                                                      |             | ANGULAR $\pm 1^\circ$                                                                                                                    |            | DRAFT WHERE APPLICABLE MUST REMAIN WITHIN DIMENSIONS |                    | MATERIAL NO.<br>SEE SHEET 1                                             | SHEET NO.<br>2 OF 2    |  |  |
| REV                                                                                                                  | C           | SIZE<br>A3 THIS DRAWING CONTAINS INFORMATION THAT IS PROPRIETARY TO MOLEX INCORPORATED AND SHOULD NOT BE USED WITHOUT WRITTEN PERMISSION |            |                                                      |                    |                                                                         |                        |  |  |



NOTES

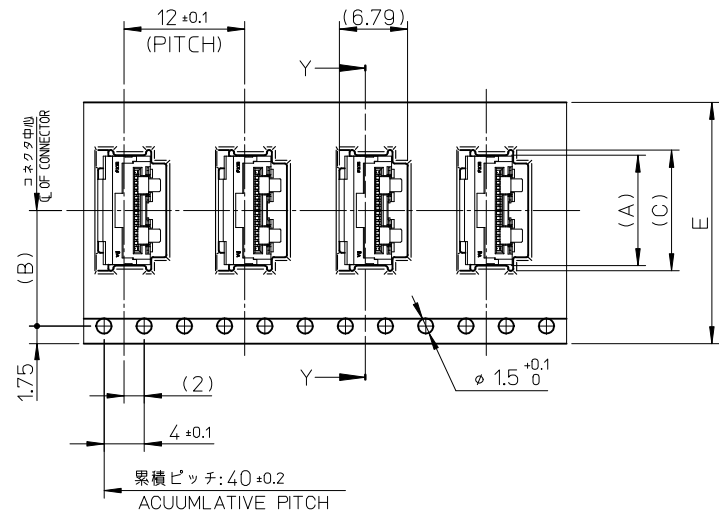
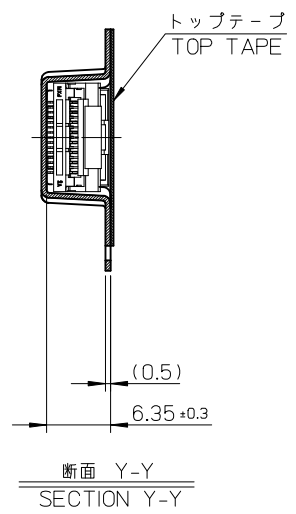
- 製品詳細寸法につきましては、製品単体図面を参照して下さい。  
FOR DETAIL OF CONNECTOR DIMENSIONS,  
PLEASE SEE THE DRAWING OF CONNECTOR ITSELF (NOT PACKAGED).
- 梱包数量：1000個/リール  
NUMBER OF CONNECTORS：1000PCS/REEL
- リードテープの長さ  
LEAD TAPE LENGTH



- 4.材料  
MATERIAL
- キャリアテープ：ポリスチレン (PS)  
CARRIER TAPE：POLYSTYRENE (PS)
  - トップテープ：PET, OTHER  
TOP TAPE：PET, OTHER
  - リール：ポリスチレン (リサイクル材を含む)  
REEL：POLYSTYRENE (RECYCLE MATERIAL CONTAINED)

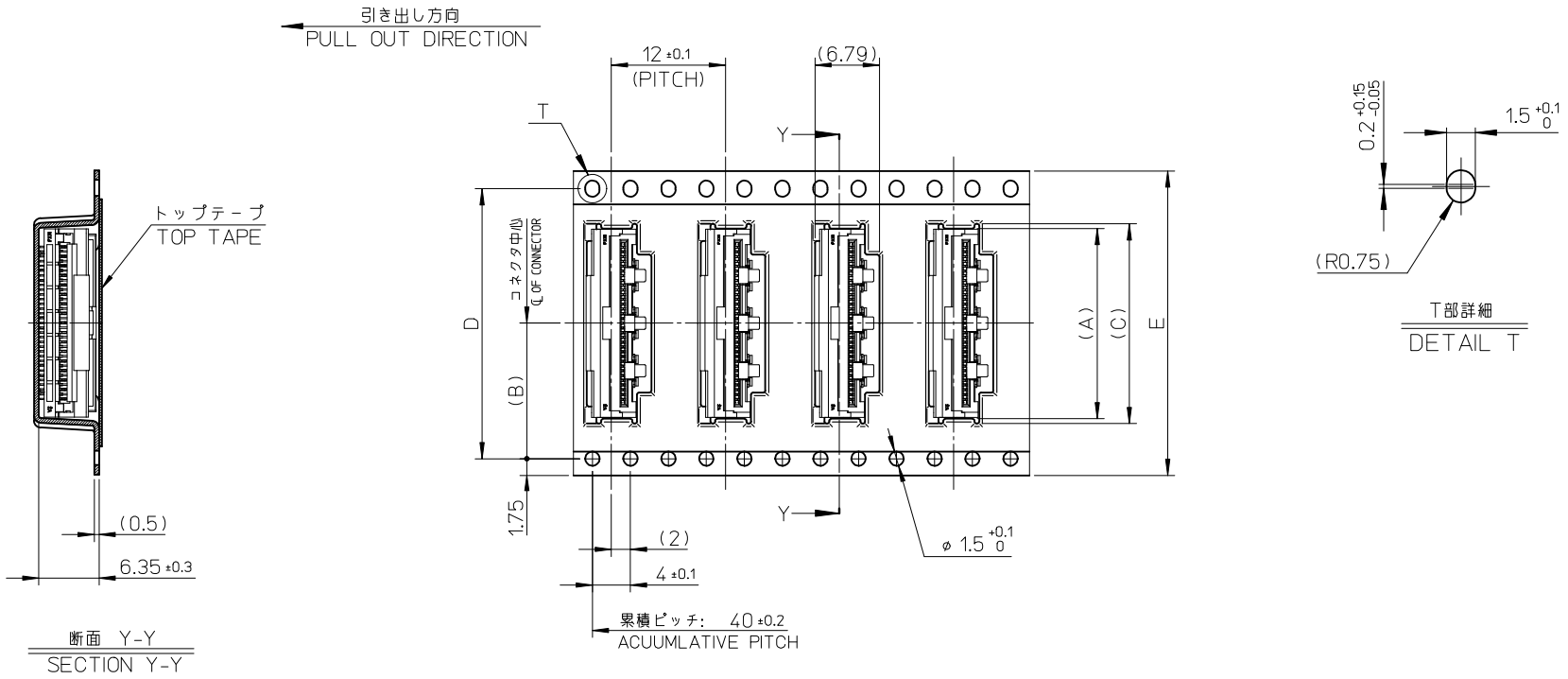
|                                                                                                                   |                    |                                                      |        |                             |                    |                                                                                                                               |                        |                        |  |
|-------------------------------------------------------------------------------------------------------------------|--------------------|------------------------------------------------------|--------|-----------------------------|--------------------|-------------------------------------------------------------------------------------------------------------------------------|------------------------|------------------------|--|
| REVISED<br>EC NO: J2009-2073<br>DRAWN: TAKASAKI 2009/03/13<br>CHKD: HAYASHI 2009/03/13<br>APPR: NUKITA 2009/03/13 | DESCRIPTION<br>REV | GENERAL TOLERANCES (UNLESS SPECIFIED)                |        | DIMENSION STYLE<br>MM ONLY  |                    | SCALE<br>---                                                                                                                  | DESIGN UNITS<br>METRIC | THIRD ANGLE PROJECTION |  |
|                                                                                                                   |                    | 10 UNDER                                             | ± 0.2  | DRAWN BY<br>TRSUZUKI        | DATE<br>2006/08/24 | TITLE<br>0.5 FFC CONN EMBSTP PKG<br>FOR LVDS E/O STRAIGHT<br>(GOLD) -LEAD FREE-                                               |                        |                        |  |
|                                                                                                                   |                    | 10 OVER 30 UNDER                                     | ± 0.25 | CHECKED BY<br>HHIRATA       | DATE<br>2006/08/24 | MOLEX INCORPORATED                                                                                                            |                        |                        |  |
|                                                                                                                   |                    | 30 OVER                                              | ± 0.3  | APPROVED BY<br>MSASAO       | DATE<br>2006/08/24 | DOCUMENT NO.<br>SD-502231-002                                                                                                 |                        |                        |  |
| ANGULAR ± 1 °                                                                                                     |                    | DRAFT WHERE APPLICABLE MUST REMAIN WITHIN DIMENSIONS |        | MATERIAL NO.<br>SEE SHEET 2 |                    | SHEET NO.<br>1 OF 3                                                                                                           |                        |                        |  |
|                                                                                                                   |                    |                                                      |        | SIZE<br>A3                  |                    | THIS DRAWING CONTAINS INFORMATION THAT IS PROPRIETARY TO MOLEX INCORPORATED AND SHOULD NOT BE USED WITHOUT WRITTEN PERMISSION |                        |                        |  |

引き出し方向  
PULL OUT DIRECTION



|      |      |                                     |     |     |      |     |                   |                      |                |
|------|------|-------------------------------------|-----|-----|------|-----|-------------------|----------------------|----------------|
| 29.4 | 25.4 | 24 ± 0.3                            | --- | 12  | 11.5 | 11  | 502231-1509       | 502231-1500          | 15             |
| G    | F    | E<br>キャリアテープ幅<br>CARRIER TAPE WIDTH | D   | (C) | (B)  | (A) | 製品単体<br>CONNECTOR | 製品番号<br>MATERIAL NO. | 極数<br>CIRCUITS |

|                                                                                                                          |               |                                                      |                            |                                                                                                                               |                                                                           |                               |
|--------------------------------------------------------------------------------------------------------------------------|---------------|------------------------------------------------------|----------------------------|-------------------------------------------------------------------------------------------------------------------------------|---------------------------------------------------------------------------|-------------------------------|
| SEE SHEET 1<br>EC NO: J2009-2073<br>DRW: N. AKASAKI 2009/03/13<br>CHK: D. HAYASHI 2009/03/13<br>APPR: N. KITA 2009/03/13 | DESCRIPTION   | GENERAL TOLERANCES (UNLESS SPECIFIED)                | DIMENSION STYLE<br>MM ONLY | SCALE<br>---                                                                                                                  | DESIGN UNITS<br>METRIC                                                    | THIRD ANGLE PROJECTION        |
|                                                                                                                          | REV           | 10 UNDER ± 0.2                                       | DRAWN BY<br>TRSUZUKI       | DATE<br>2006/08/24                                                                                                            | TITLE<br>0.5 FFC CONN EMBSTP PKG FOR LVDS E/O STRAIGHT (GOLD) -LEAD FREE- |                               |
|                                                                                                                          |               | 10 OVER 30 UNDER ± 0.25                              | CHECKED BY<br>HIRATA       | DATE<br>2006/08/24                                                                                                            | APPROVED BY<br>MSASAO                                                     |                               |
|                                                                                                                          |               | 30 OVER ± 0.3                                        | DATE<br>2006/08/24         | MATERIAL NO.<br>SEE CHART                                                                                                     |                                                                           | DOCUMENT NO.<br>SD-502231-002 |
|                                                                                                                          | ANGULAR ± 1 ° | DRAFT WHERE APPLICABLE MUST REMAIN WITHIN DIMENSIONS | SIZE<br>A3                 | THIS DRAWING CONTAINS INFORMATION THAT IS PROPRIETARY TO MOLEX INCORPORATED AND SHOULD NOT BE USED WITHOUT WRITTEN PERMISSION |                                                                           |                               |



|      |      |                                     |      |            |      |            |                   |                      |                |
|------|------|-------------------------------------|------|------------|------|------------|-------------------|----------------------|----------------|
| 37.4 | 33.4 | 32 ± 0.3                            | 28.4 | 21<br>16.5 | 14.2 | 20<br>15.5 | 502231-3309       | 502231-3300          | 33             |
|      |      |                                     |      |            |      |            | 502231-2409       | 502231-2400          | 24             |
| G    | F    | E<br>キャリアテープ幅<br>CARRIER TAPE WIDTH | D    | (C)        | (B)  | (A)        | 製品単体<br>CONNECTOR | 製品番号<br>MATERIAL NO. | 極数<br>CIRCUITS |

|                                                                                                                      |             |                                                      |                            |                                                                                                                               |                                                                           |                        |
|----------------------------------------------------------------------------------------------------------------------|-------------|------------------------------------------------------|----------------------------|-------------------------------------------------------------------------------------------------------------------------------|---------------------------------------------------------------------------|------------------------|
| SEE SHEET 1<br>EC NO: J2009-2073<br>DRAWN: AKASAKI 2009/03/13<br>CHKD: HAYASHI 2009/03/13<br>APPR: NUKITA 2009/03/13 | DESCRIPTION | GENERAL TOLERANCES (UNLESS SPECIFIED)                | DIMENSION STYLE<br>MM ONLY | SCALE<br>---                                                                                                                  | DESIGN UNITS<br>METRIC                                                    | THIRD ANGLE PROJECTION |
|                                                                                                                      | REV         | 10 UNDER ± 0.2                                       | DRAWN BY<br>TRSUZUKI       | DATE<br>2006/08/24                                                                                                            | TITLE<br>0.5 FFC CONN EMBSTP PKG FOR LVDS E/O STRAIGHT (GOLD) -LEAD FREE- |                        |
|                                                                                                                      |             | 10 OVER 30 UNDER ± 0.25                              | CHECKED BY<br>HIRATA       | DATE<br>2006/08/24                                                                                                            | MOLEX INCORPORATED                                                        |                        |
|                                                                                                                      |             | 30 OVER ± 0.3                                        | APPROVED BY<br>MSASAO      | DATE<br>2006/08/24                                                                                                            | DOCUMENT NO.<br>SD-502231-002                                             | SHEET NO.<br>3 OF 3    |
|                                                                                                                      |             | ANGULAR ± 1 °                                        | MATERIAL NO.<br>SEE CHART  | THIS DRAWING CONTAINS INFORMATION THAT IS PROPRIETARY TO MOLEX INCORPORATED AND SHOULD NOT BE USED WITHOUT WRITTEN PERMISSION |                                                                           |                        |
|                                                                                                                      |             | DRAFT WHERE APPLICABLE MUST REMAIN WITHIN DIMENSIONS | SIZE<br>A3                 |                                                                                                                               |                                                                           |                        |