



Chipsmall Limited consists of a professional team with an average of over 10 year of expertise in the distribution of electronic components. Based in Hongkong, we have already established firm and mutual-benefit business relationships with customers from,Europe,America and south Asia,supplying obsolete and hard-to-find components to meet their specific needs.

With the principle of "Quality Parts,Customers Priority,Honest Operation,and Considerate Service",our business mainly focus on the distribution of electronic components. Line cards we deal with include Microchip,ALPS,ROHM,Xilinx,Pulse,ON,Everlight and Freescale. Main products comprise IC,Modules,Potentiometer,IC Socket,Relay,Connector.Our parts cover such applications as commercial,industrial, and automotives areas.

We are looking forward to setting up business relationship with you and hope to provide you with the best service and solution. Let us make a better world for our industry!



Contact us

Tel: +86-755-8981 8866 Fax: +86-755-8427 6832

Email & Skype: info@chipsmall.com Web: www.chipsmall.com

Address: A1208, Overseas Decoration Building, #122 Zhenhua RD., Futian, Shenzhen, China



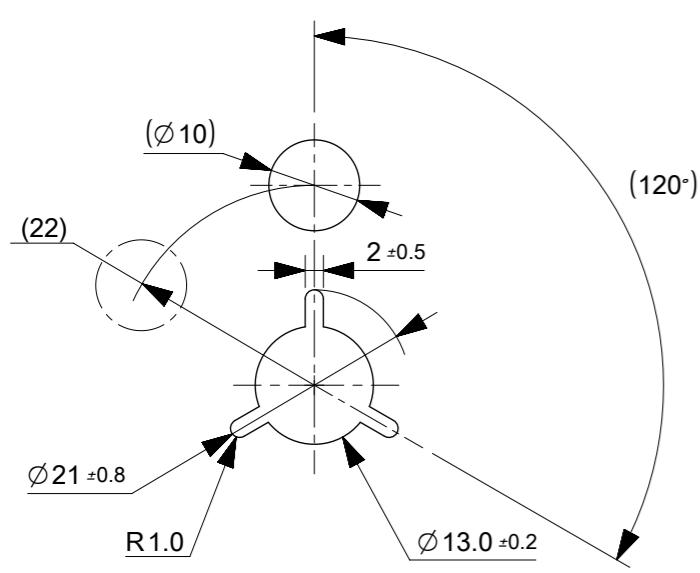
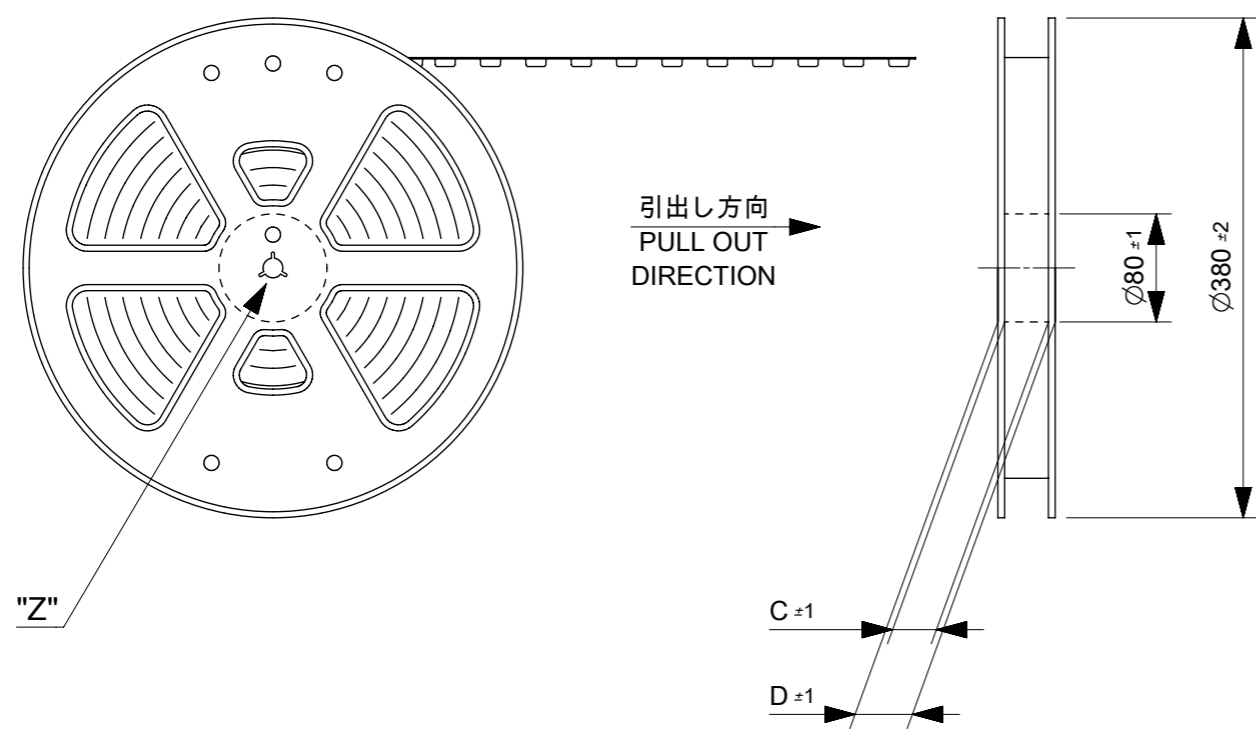
E

D

C

B

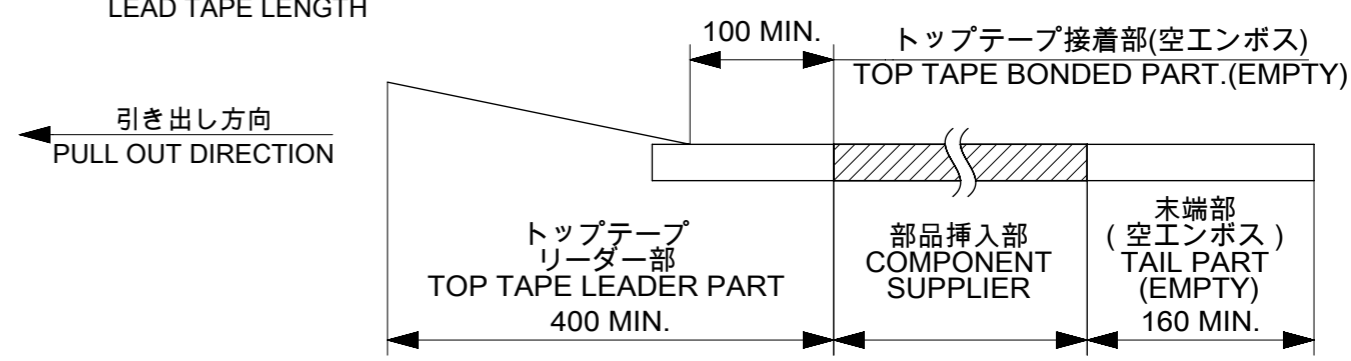
A



DETAIL "Z"

NOTES

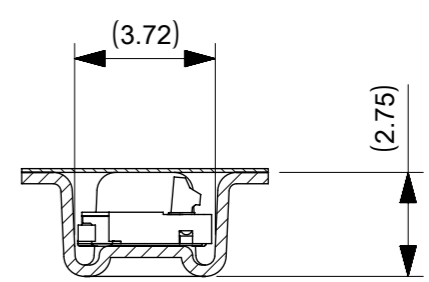
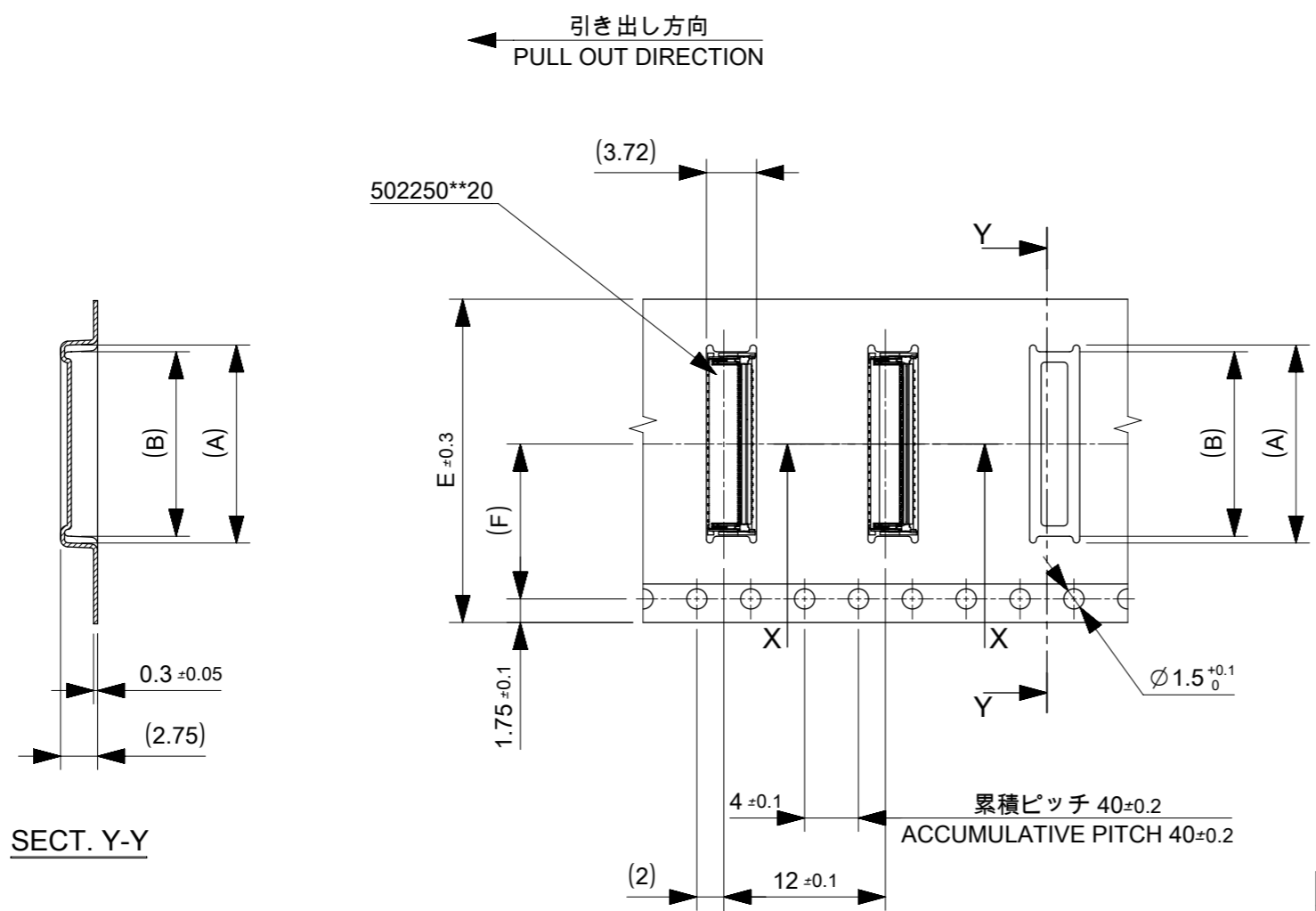
- 製品 (502250**20) の詳細寸法については、
図面 5022501000 DOC.PART 000 をご参照ください
IN THE PACKAGE, PART NO. 502250**20 DETAILED DIMENSIONS,
REFER TO SALES DRAWING NO. 5022501000 DOC.PART 000.
- 梱包数量 : 3000 個 / リル
NUMBER OF CONNECTORS:3000 PCS/REEL
- リ-ドテープ長さ
LEAD TAPE LENGTH



- 材料(MATERIAL)
キャリアテープ(CARRIER TAPE) : ポリスチレン(POLYSTYRENE)
トップテープ(TOP TAPE) : PET, OTHER
リ-ル(REEL) : ポリスチレン(POLYSTYRENE)<リサイクル材を含む>
<RECYCLE MATERIAL CONTAINED>
- ELV 及び RoHS適合品
ELV AND RoHS COMPLIANT.

502250**91 MODEL NO.

THIS DRAWING CONTAINS INFORMATION THAT IS PROPRIETARY TO MOLEX ELECTRONIC TECHNOLOGIES, LLC AND SHOULD NOT BE USED WITHOUT WRITTEN PERMISSION										
EC NO: 104567 DRWN: ABABU01 CHK'D: KTAKAHASHI APPR: TKUSUHARA01	2016/01/21	2016/05/09	2016/05/09	GENERAL TOLERANCES (UNLESS SPECIFIED)	DIMENSION UNITS	SCALE				
					MM	NTS				
					DRWN BY	DATE				
					ANGULAR TOL ± 3.0 °	ABABU01	2016/01/21	0.3 FPC CONN E/O B/F HGT =0.9MM EMBSTP PKG		
					4 PLACES ± 0.2	CHK'D BY	DATE			
					3 PLACES ± 0.2	KTAKAHASHI	2016/05/09			
			2 PLACES ± 0.25	APPR BY	DATE	PRODUCT CUSTOMER DRAWING				
			1 PLACE ± 0.3	TKUSUHARA01	2016/05/09					
			0 PLACES ± 0.3	DRAFT WHERE APPLICABLE MUST REMAIN WITHIN DIMENSIONS	DRAWING SIZE	THIRD ANGLE PROJECTION	SERIES	MATERIAL NUMBER	CUSTOMER	
A	REV				A3		502250	SEE TABLE	GENERAL MARKET	
RELEASE STATUS		P1	RELEASE DATE	09.05.2016	10:03:08	DOCUMENT NUMBER		DOC TYPE	DOC PART	SHEET NUMBER
						5022500000		PSD	000	1 OF 3



SECT. X-X

SECT. Y-Y

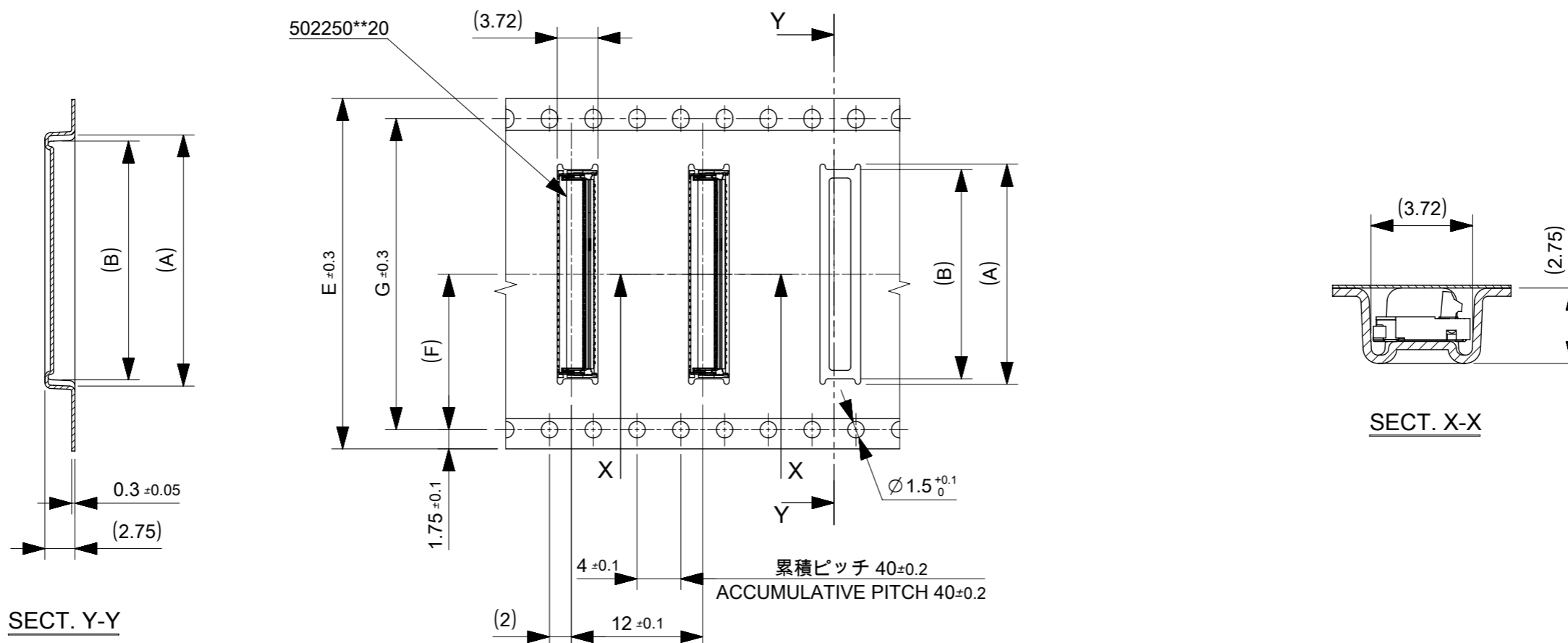
24	11.5	24	29.4	25.4	14.3	15.3	5022504191	41	
					13.7	14.7	5022503991	39	
					12.5	13.5	5022503591	35	
					11.9	12.9	5022503391	33	
					10.1	11.1	5022502791	27	
					8.9	9.9	5022502391	23	
					8.3	9.3	5022502191	21	
16	7.5	16	21.4	17.4	7.1	8.1	5022501791	17	
キャリアテープ幅 CARRIER TAPE WIDTH		(F)	E	D	C	(B)	(A)	製品番号 MATERIAL NO.	極数 CIRCUIT
MODEL NO.								502250**91	

THIS DRAWING CONTAINS INFORMATION THAT IS PROPRIETARY TO MOLEX ELECTRONIC TECHNOLOGIES, LLC AND SHOULD NOT BE USED WITHOUT WRITTEN PERMISSION

EC NO: 104567 DRWN: ABABU01 CHK'D: KTAKAHASHI APPR: TKUSUHARA01	2016/01/21	GENERAL TOLERANCES (UNLESS SPECIFIED) ANGULAR TOL ± 3.0 ° 4 PLACES ± 0.2 3 PLACES ± 0.2 2 PLACES ± 0.25 1 PLACE ± 0.3 0 PLACES ± 0.3	DIMENSION UNITS	SCALE			
	2016/05/09		MM	NTS			
	2016/05/09		DRWN BY	DATE		ABABU01	2016/01/21
			CHK'D BY	DATE		KTAKAHASHI	2016/05/09
			APPR BY	DATE		TKUSUHARA01	2016/05/09
		DRAFT WHERE APPLICABLE MUST REMAIN WITHIN DIMENSIONS	DRAWING SIZE	THIRD ANGLE PROJECTION	PRODUCT CUSTOMER DRAWING		
A			A3		SERIES: 502250		
					MATERIAL NUMBER: SEE TABLE		
					CUSTOMER: GENERAL MARKET		
					DOCUMENT NUMBER: 5022500000		
					DOC TYPE: PSD		
					DOC PART: 000		
					SHEET NUMBER: 2 OF 3		

E

引き出し方向
PULL OUT DIRECTION

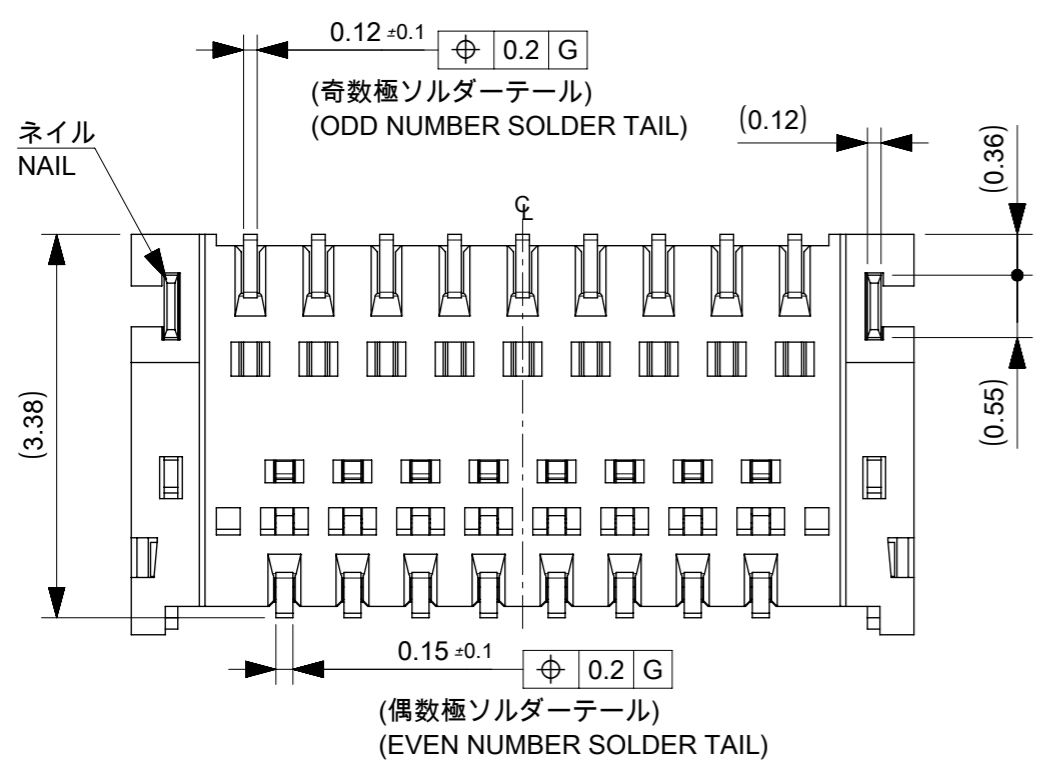
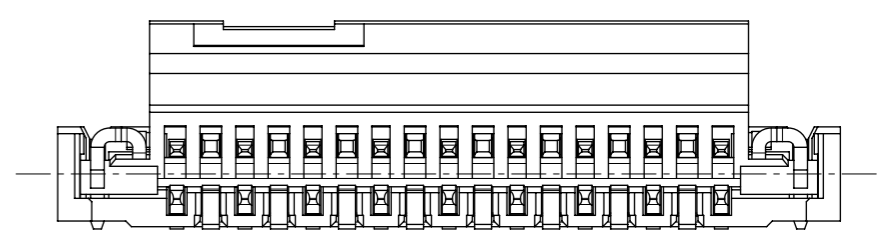
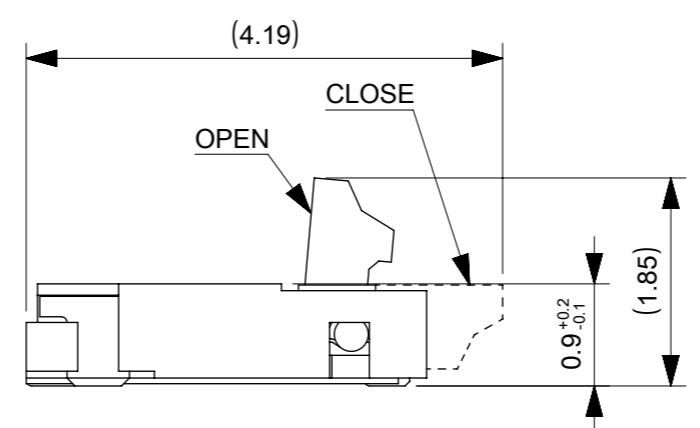
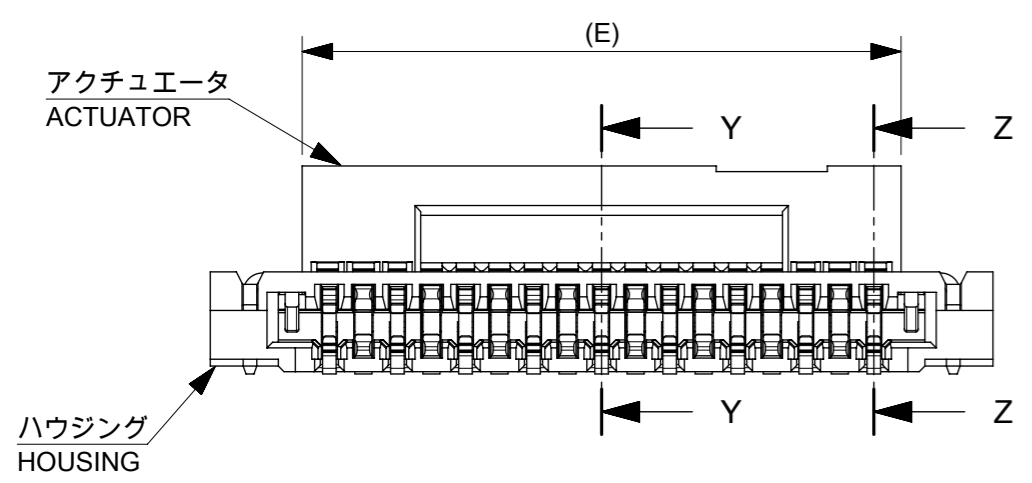
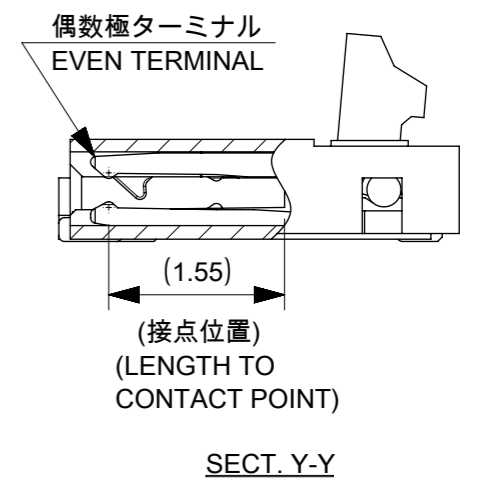
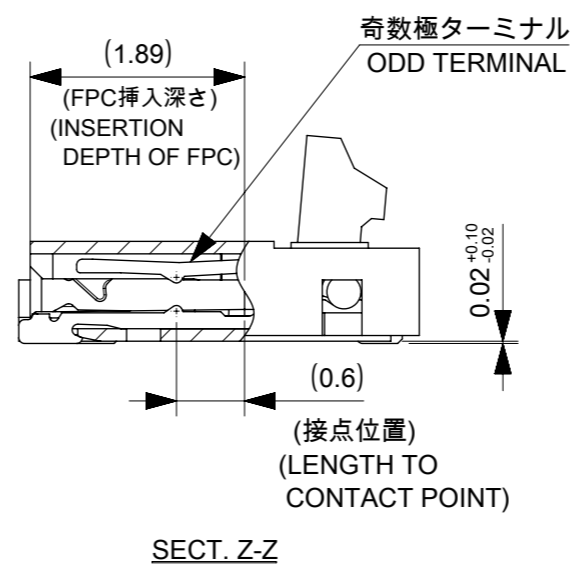
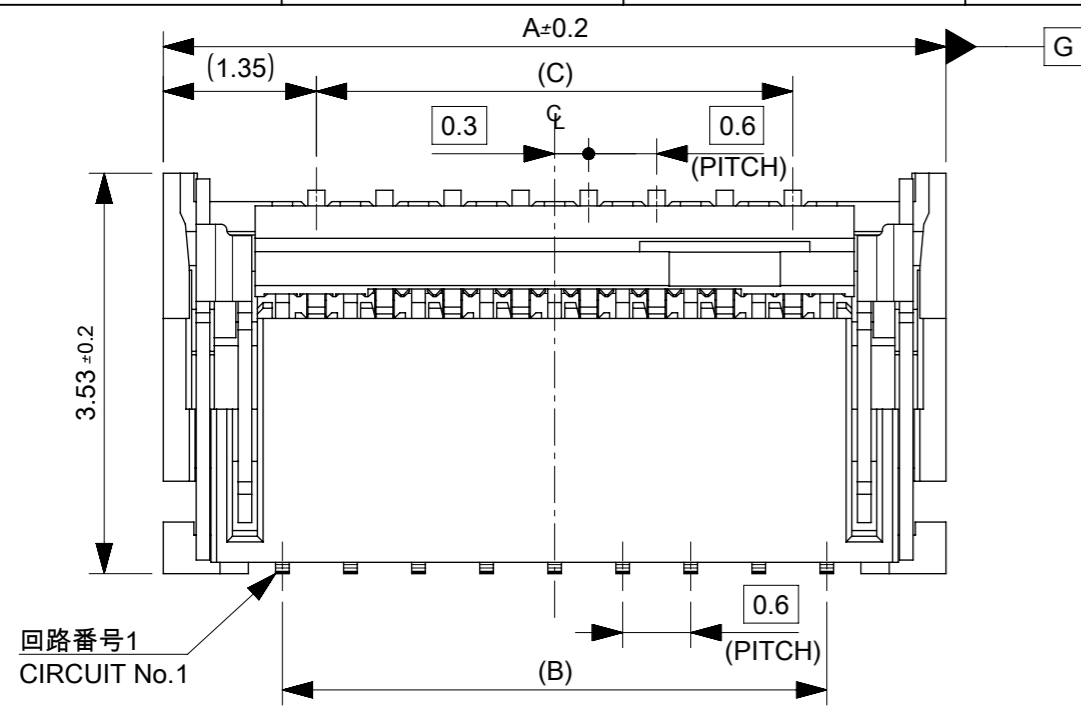


32mm幅キャリアテープ
32mm CARRIER TAPE WIDTH

32	28.4	14.2	32	37.4	33.4	17.3	18.3	5022505191	51
キャリアテープ幅 CARRIER TAPE WIDTH	G	(F)	E	D	C	(B)	(A)	製品番号 MATERIAL NO.	極数 CIRCUIT
								MODEL NO.	502250**91

THIS DRAWING CONTAINS INFORMATION THAT IS PROPRIETARY TO MOLEX ELECTRONIC TECHNOLOGIES, LLC AND SHOULD NOT BE USED WITHOUT WRITTEN PERMISSION

EC NO: 104567 DRWN: ABABU01 CHK'D: KTAKAHASHI APPR: TKUSUHARA01	2016/01/21	GENERAL TOLERANCES (UNLESS SPECIFIED) ANGULAR TOL ± 3.0 ° 4 PLACES ± 0.2 3 PLACES ± 0.2 2 PLACES ± 0.25 1 PLACE ± 0.3 0 PLACES ± 0.3	DIMENSION UNITS	SCALE				
	2016/05/09		MM	NTS				
	2016/05/09		DRWN BY	DATE		0.3 FPC CONN E/O B/F HGT = 0.9MM EMBSTP PKG		
			ABABU01	2016/01/21				
			CHK'D BY	DATE	PRODUCT CUSTOMER DRAWING			
			KTAKAHASHI	2016/05/09				
			APPR BY	DATE	SERIES	MATERIAL NUMBER	CUSTOMER	
			TKUSUHARA01	2016/05/09	502250	SEE TABLE	GENERAL MARKET	
			DRAWING SIZE	THIRD ANGLE PROJECTION	DOCUMENT NUMBER	DOC TYPE	DOC PART	SHEET NUMBER
			A3		5022500000	PSD	000	3 OF 3

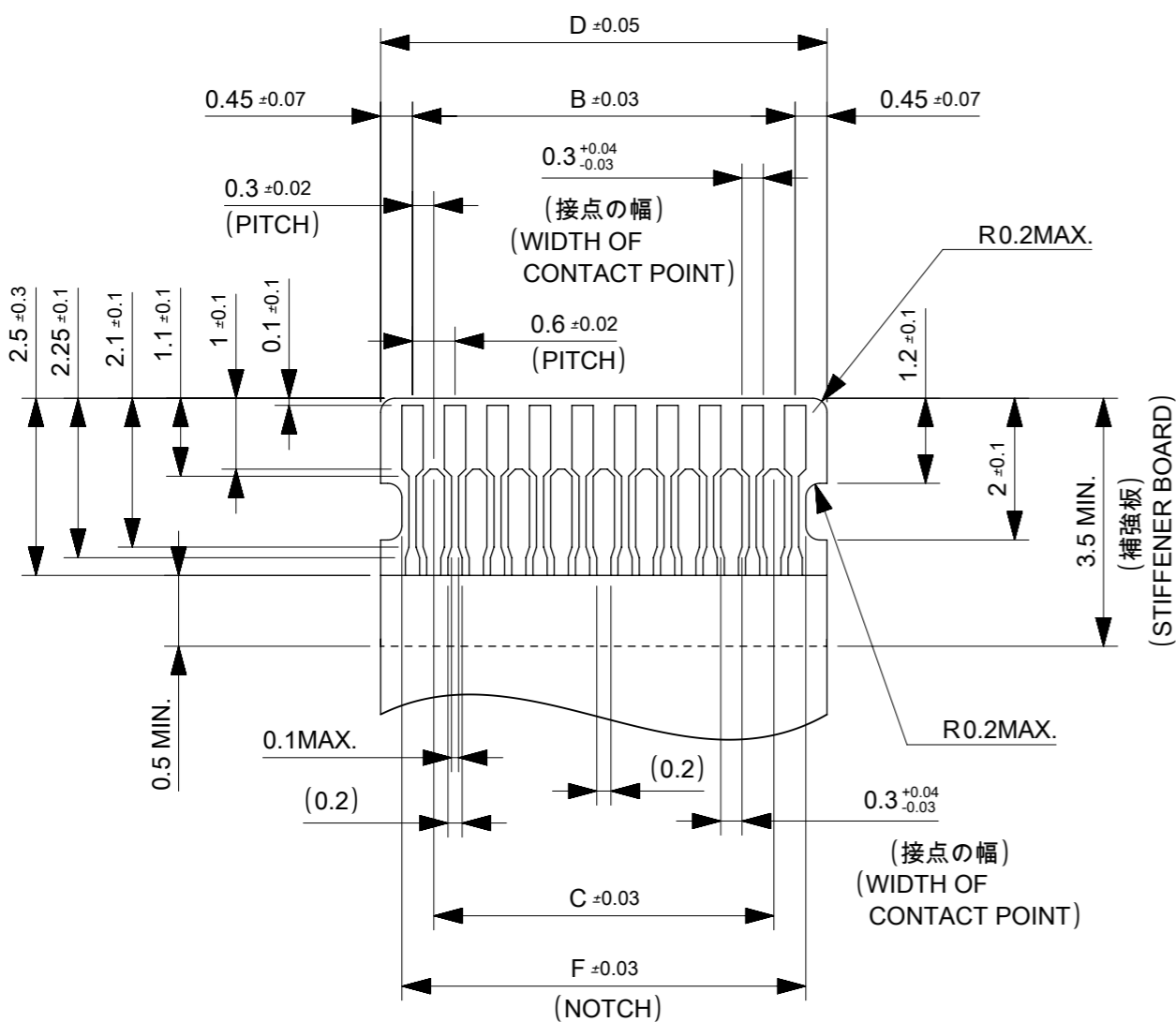


15.3	15.48	15.9	14.4	15.0	17.1	5022505191	5022505120	51
12.3	12.48	12.9	11.4	12.0	14.1	5022504191	5022504120	41
11.7	11.88	12.3	10.8	11.4	13.5	5022503991	5022503920	39
10.5	10.68	11.1	9.6	10.2	12.3	5022503591	5022503520	35
9.9	10.08	10.5	9.0	9.6	11.7	5022503391	5022503320	33
8.1	8.28	8.7	7.2	7.8	9.9	5022502791	5022502720	27
6.9	7.08	7.5	6.0	6.6	8.7	5022502391	5022502320	23
6.3	6.48	6.9	5.4	6.0	8.1	5022502191	5022502120	21
5.1	5.28	5.7	4.2	4.8	6.9	5022501791	5022501720	17
F	E	D	C	B	A	EMBOSSED TAPE PKG. ORDER NO.		MATERIAL No. CIRCUITS

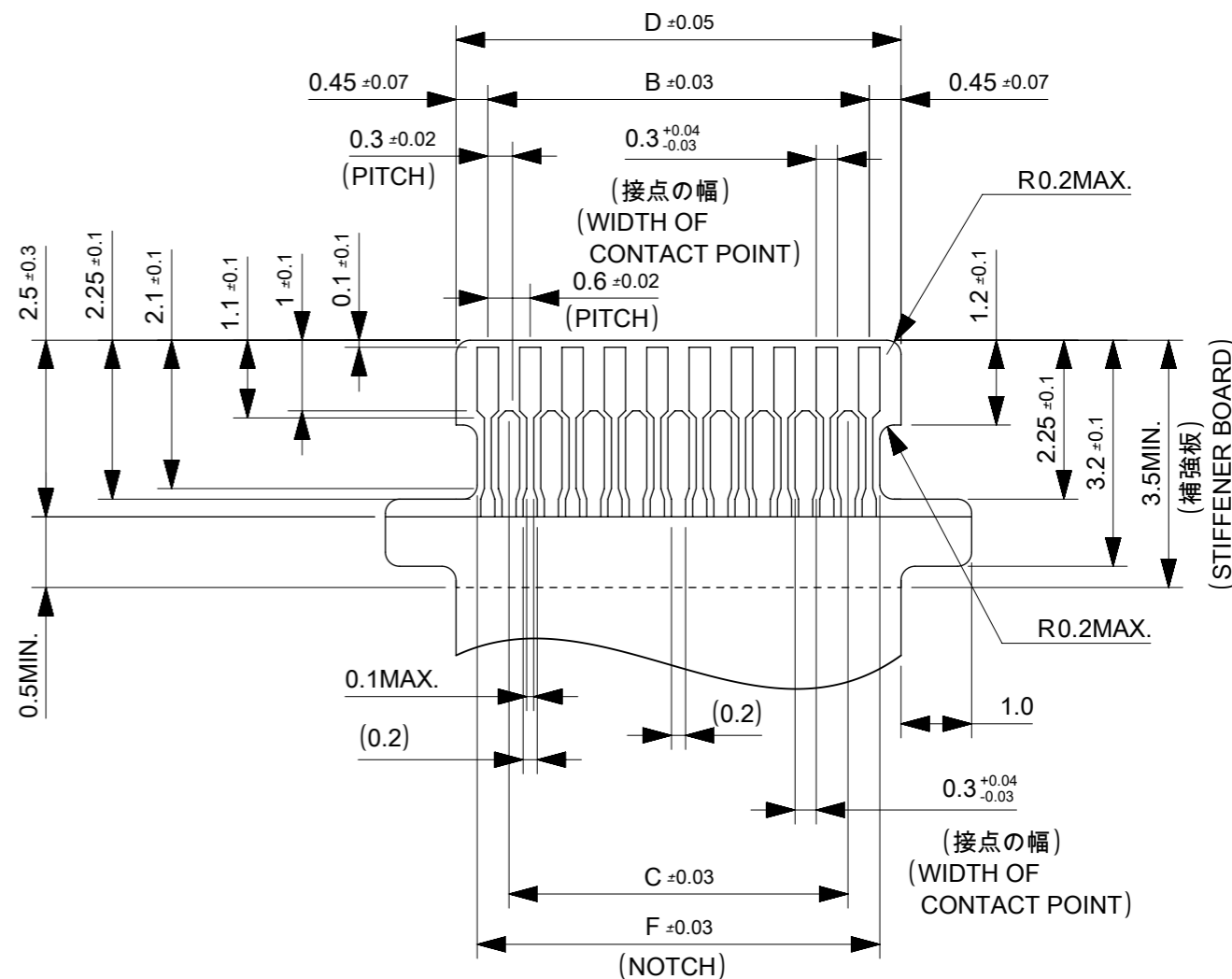
MODEL No. 502250**20

THIS DRAWING CONTAINS INFORMATION THAT IS PROPRIETARY TO MOLEX ELECTRONIC TECHNOLOGIES, LLC AND SHOULD NOT BE USED WITHOUT WRITTEN PERMISSION

EC NO: 104567 DRWN: RLALSANGI CHK'D: KTAKAHASHI APPR: TKUSUHARA01	2016/01/22	GENERAL TOLERANCES (UNLESS SPECIFIED) ANGULAR TOL ± 3.0 ° 4 PLACES ± 0.2 3 PLACES ± 0.2 2 PLACES ± 0.25 1 PLACE ± 0.3 0 PLACES ± 0.3	DIMENSION UNITS	SCALE		
	2016/05/09		MM	15:1		
	2016/05/09		DRWN BY	DATE		RLALSANGI 2016/01/22
			CHK'D BY	DATE		KTAKAHASHI 2016/05/09
			APPR BY	DATE		TKUSUHARA01 2016/05/09
		DRAFT WHERE APPLICABLE MUST REMAIN WITHIN DIMENSIONS	DRAWING SIZE	THIRD ANGLE PROJECTION	PRODUCT CUSTOMER DRAWING	
A	REV		A3		SERIES: 502250	
					MATERIAL NUMBER: SEE CHART	
					CUSTOMER: GENERAL MARKET	
					DOCUMENT NUMBER: 5022501000	
					DOC TYPE: PSD	
					DOC PART: 000	
					SHEET NUMBER: 1 OF 3	



標準 FPC
STANDARD



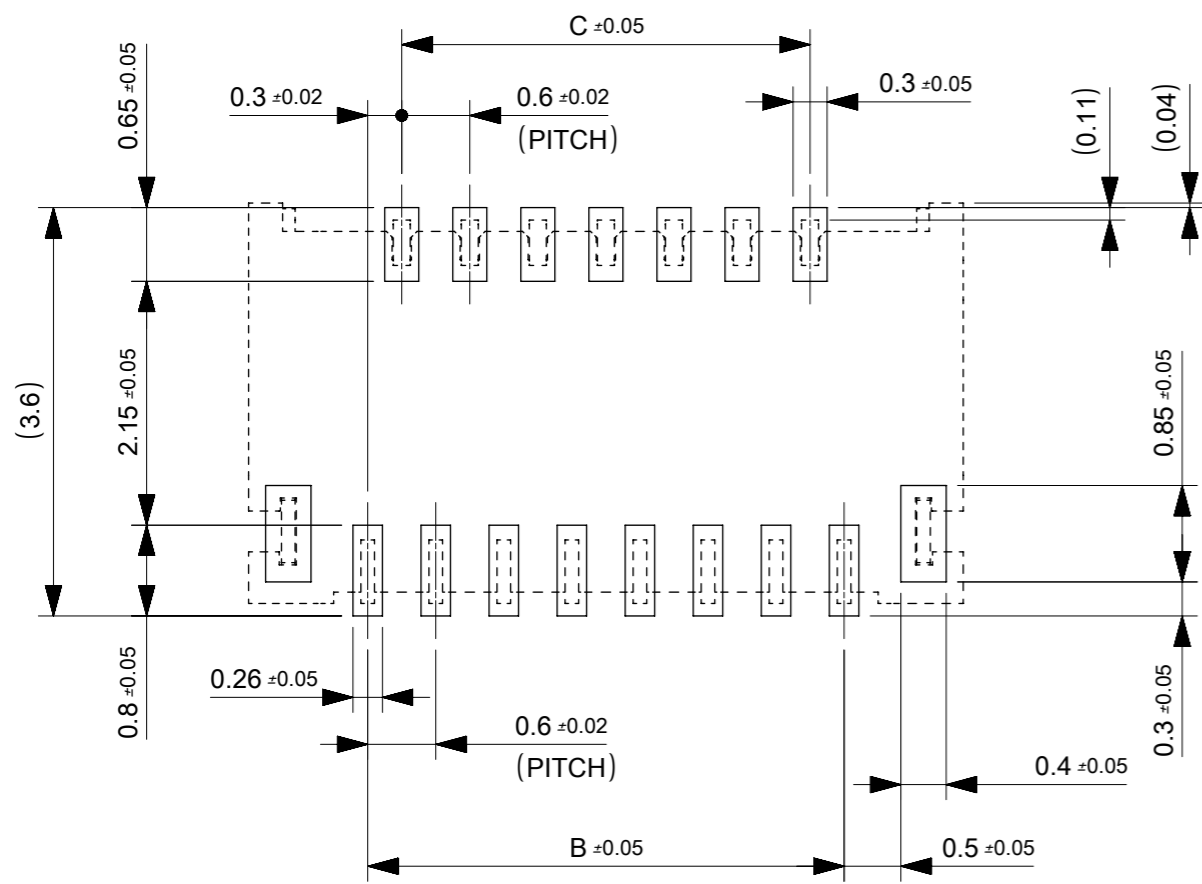
挿入位置確認用耳つき FPC
WITH EARS FOR FPC INSERTION ALIGNMENT

嵌合 FPC 推奨寸法
APPLICABLE FPC
RECOMMENDED DIMENSION
(仕上がり厚さ : 0.2 ± 0.03)
(THICKNESS: 0.2 ± 0.03)

FPCについて：
抜き方向は、導体側から補強板側を推奨致します。
補強フィルム材質は、ポリイミドを推奨致します。
接着剤は熱硬化接着剤を推奨します。
尚、接着剤の接点部への付着は導通不良の原因になりますので、
染み出しが無い様、お願い致します。

ABOUT FPC:
RECOMMENDED PUNCHER DIRECTION:
FROM CONDUCTOR SIDE TO STIFFNER FILM SIDE.
RECOMMENDED MATERIAL:
STIFFENER FILM : POLYIMIDE
BONDING AGENT : THERMOSETTING AGENT
PLEASE PUT APPROPRIATE AMOUNT OF ADHESIVE ON ADHEREND
BECAUSE THERE IS A POSSIBILITY THAT THE EXTRA ADHESIVE
CAUSES THE DEFECT IN ELECTRICAL CONTINUITY.

THIS DRAWING CONTAINS INFORMATION THAT IS PROPRIETARY TO MOLEX ELECTRONIC TECHNOLOGIES, LLC AND SHOULD NOT BE USED WITHOUT WRITTEN PERMISSION									
EC NO: 104567 DRWN: RLALSANGI CHK'D: KTAKAHASHI APPR: TKUSUHARA01	2016/01/22	GENERAL TOLERANCES (UNLESS SPECIFIED) ANGULAR TOL ± 3.0 ° 4 PLACES ± 0.2 3 PLACES ± 0.2 2 PLACES ± 0.25 1 PLACE ± 0.3 0 PLACES ± 0.3	DIMENSION UNITS	SCALE					
	2016/05/09		MM	10:1					
	2016/05/09		DRWN BY	DATE	0.3 FPC CONN E/O B/F HSG ASSY HGT=0.9MM				
			RLALSANGI	2016/01/22					
			CHK'D BY	DATE	PRODUCT CUSTOMER DRAWING				
	KTAKAHASHI	2016/05/09							
	APPR BY	DATE	SERIES	MATERIAL NUMBER	CUSTOMER				
	TKUSUHARA01	2016/05/09	502250	SEE CHART	GENERAL MARKET				
	DRAWING SIZE	THIRD ANGLE PROJECTION	DOCUMENT NUMBER		DOC TYPE	DOC PART	SHEET NUMBER		
	A3		5022501000		PSD	000	2 OF 3		
	DRAFT WHERE APPLICABLE MUST REMAIN WITHIN DIMENSIONS								



推奨基板レイアウト図(マウント面)
P.C BOARD PATTERN
RECOMMENDED DIMENSION
(MOUNTING AREA)

推奨メタルマスク開口率について
開口率 : 推奨パターン面積の100%
ABOUT METAL MASK SPECIFICATION
RECOMMEND APERTURE RATE : 100%

注記 NOTES

1. 使用材料 MATERIAL
ハウジング : 液晶ポリマー ガラス充填 UL94V-0 (ナチュラル)
HOUSING : LIQUID CRYSTAL POLYMER (GLASS FILLED)
UL94V-0(COLOR:NATURAL)
アクチュエータ : ポリフェニレンサルファイド ガラス充填 UL94V-0 (黒)
ACTUATOR : POLYPHENYLENE SULFIDE (GLASS FILLED)
UL94V-0(COLOR:BLACK)
ターミナル : 銅合金, ニッケル下地部分金メッキ (接触部及びテール部)
TERMINAL : COPPER ALLOY,
PARTLY GOLD(CONTACT,TAIL) OVER NICKEL PLATING
ネイル : リン青銅, ニッケル下地 錫めっき
FITTING NAIL : PHOSPHOR-BRONZE, TIN OVER NICKEL PLATING
2. ソルダーテール半田付け面, 及びネイル半田付け面の平坦度 : 0.1mmMAX.
COPLANARITY OF SOLDER TAILS AND FITTING NAILS
TO BE 0.1mm MAX.
3. 基板実装前にアクチュエータを操作しないで下さい。
PLEASE DO NOT OPERATE THE ACTUATOR BEFORE MOUNTING.
必ず基板に実装し, FPCを挿入してからアクチュエータを操作して下さい。
PLEASE OPERATE THE ACTUATOR AFTER MOUNTING ON
THE SUBSTRATE, AND MATING FPC.
4. 推奨メタルマスク RECOMMENDED METAL MASK SPECIFICATION
マスク厚 : 0.1mm MASK THICKNESS : 0.1mm
なお, 貴社にて上記以外でご使用頂く場合は, 事前に確認頂きますようお願い致します。
WHEN USE IT OTHER THAN THE ABOVE IN YOUR COMPANY,
PLEASE CONFIRM IT BEFOREHAND.
5. ELV 及び RoHS適合品
ELV AND RoHS COMPLIANT.

THIS DRAWING CONTAINS INFORMATION THAT IS PROPRIETARY TO MOLEX ELECTRONIC TECHNOLOGIES, LLC AND SHOULD NOT BE USED WITHOUT WRITTEN PERMISSION

EC NO: 104567 DRWN: RLALSANGI CHK'D: KTAKAHASHI APPR: TKUSUHARA01	2016/01/22	GENERAL TOLERANCES (UNLESS SPECIFIED) ANGULAR TOL ± 3.0 ° 4 PLACES ± 0.2 3 PLACES ± 0.2 2 PLACES ± 0.25 1 PLACE ± 0.3 0 PLACES ± 0.3	DIMENSION UNITS	SCALE				
	2016/05/09		MM	10:1				
	2016/05/09		DRWN BY	DATE		RLALSANGI 2016/01/22		
			CHK'D BY	DATE		KTAKAHASHI 2016/05/09		
			APPR BY	DATE		TKUSUHARA01 2016/05/09		
		DRAFT WHERE APPLICABLE MUST REMAIN WITHIN DIMENSIONS	DRAWING SIZE	THIRD ANGLE PROJECTION	PRODUCT CUSTOMER DRAWING			
			A3		SERIES	MATERIAL NUMBER	CUSTOMER	
					502250	SEE CHART	GENERAL MARKET	
					DOCUMENT NUMBER	DOC TYPE	DOC PART	SHEET NUMBER
					5022501000	PSD	000	3 OF 3